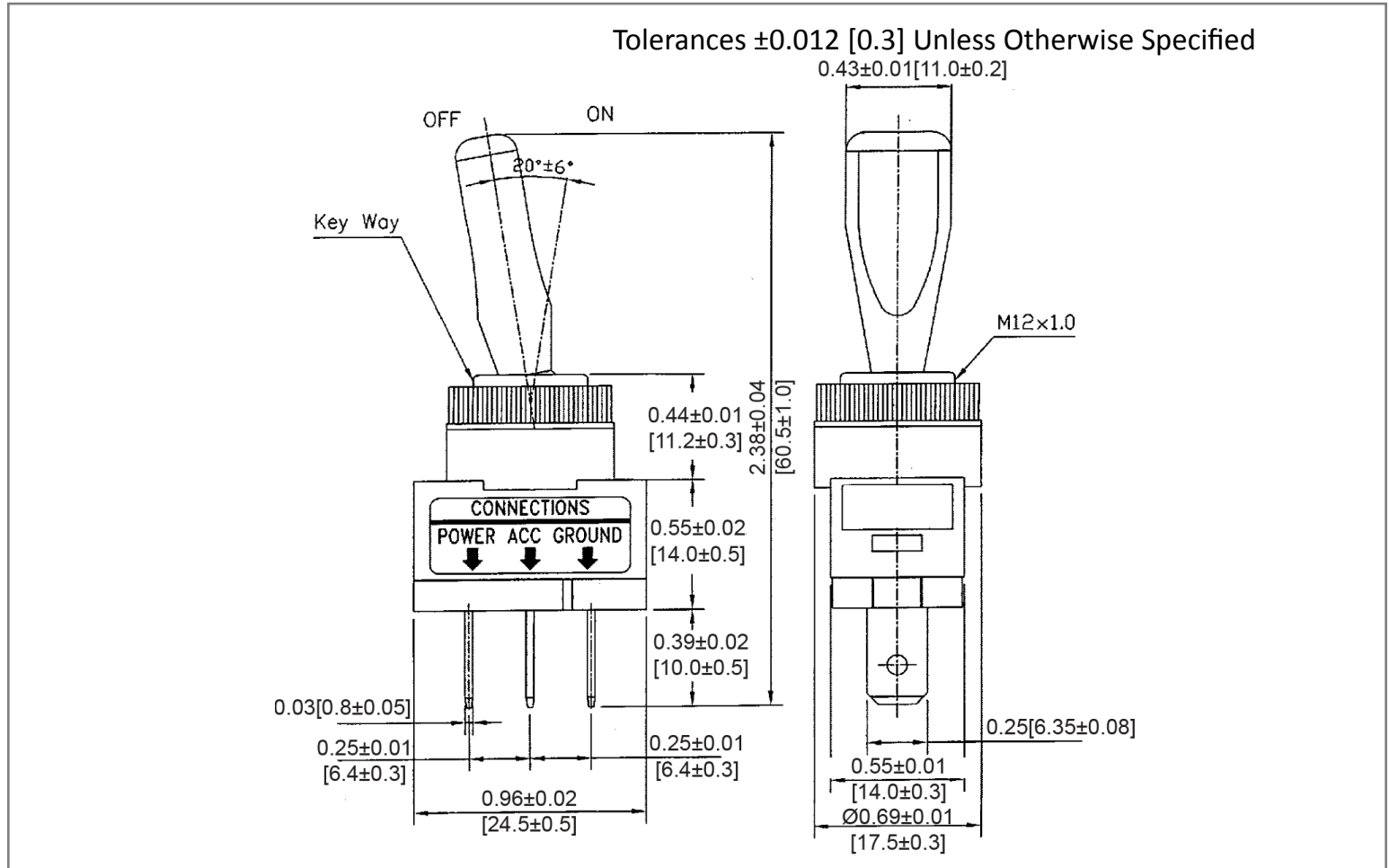
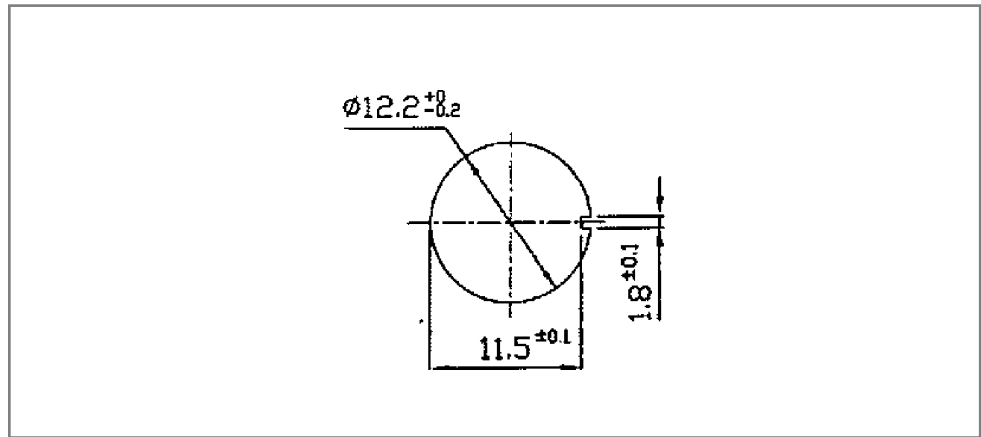


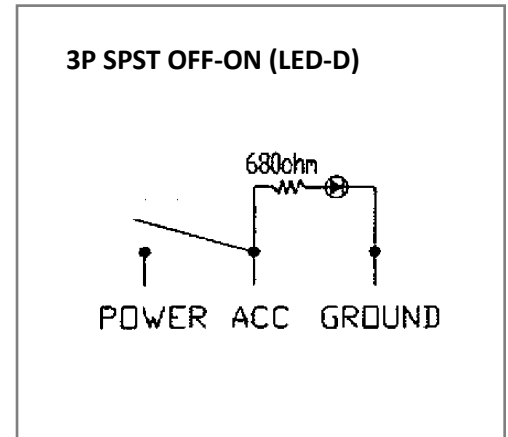
Mechanical Dimensions: Inches [mm]



Mounting Hole



Circuit Diagram



Electrical Specifications

Rating	20A 12V DC
Contact Resistance	50m ohm Max
Insulation Resistance	DC 500V 100M ohm Min
Dielectric Strength	AC 1500V 1 minute

Material Specifications

Handle Color	Black
LED	Green (Dependent)

Rev Date of issue Revision Notes

Designed Approved

B	07-13-2021	Initial Drawing	RC	OF
---	------------	-----------------	----	----