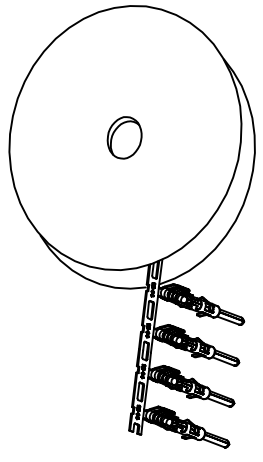


REVISIONS				
REV	ECO	DESCRIPTION	DATE	BY APPR
A1	-	RELEASED DRAWING	Jul-16-18	Flan Tommy



CONTACT ORIENTATION ON ROLL(3000PCS/COIL)

NOTES : (UNLESS OTHERWISE SPECIFIED)
 1. MATERIAL :

- 1.1. CONTACT BODY : COPPER ALLOY.
- 1.2. OUTER SPRING : STAINLESS STEEL.

2. SPECIFICATIONS :

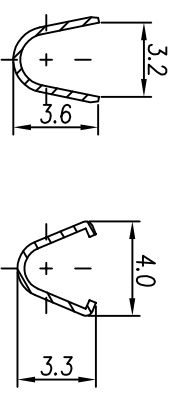
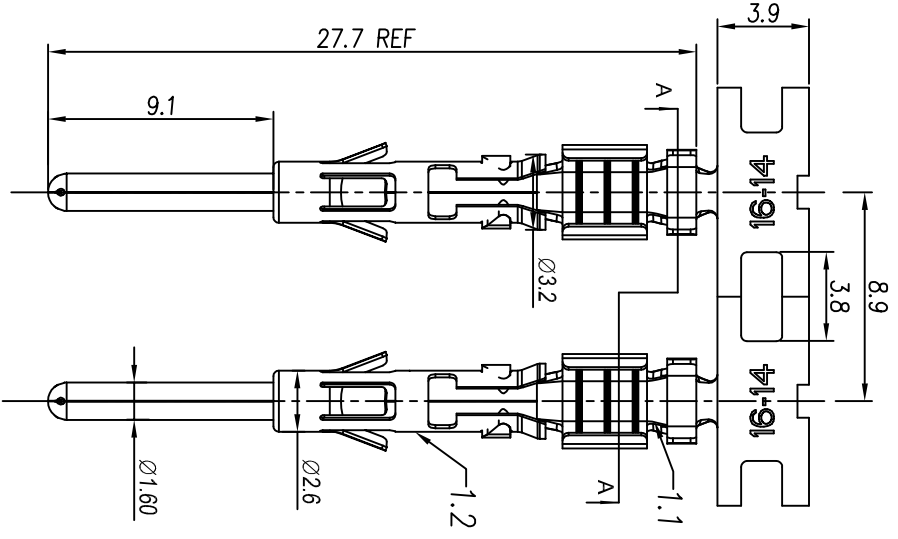
- 2.1 CURRENT RATING : 13A MAX.
- 2.2 TERMINATION TYPE : CRIMPING.
- 2.3 WIRE RANGE : 14~16AWG.
- 2.4 WIRE INSULATION DIA(MAX) : ϕ 3.2mm.

3. ROHS COMPLIANT.

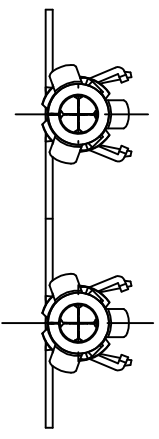
4. ALL DIMENSIONS ARE FOR REFERENCE USE ONLY.

5. AVAILABLE TOOLS :

- 5.1 HAND CRIMPER : MFX-3954.
- 5.2 CRIMP APPLICATOR : MFX-3957.
- 5.3 EXTRACTION TOOL : QXRT16.



P/N	CONTACT PLATING(MATING AREA)
SP14M2T	TIN PLATING OVER NICKEL.
SP14M2N	NICKEL PLATING OVER COPPERIZE.
SP14M2F	GOLD FLASH PLATING OVER NICKEL.
SP14M2G5	5 μ "GOLD PLATING OVER NICKEL.
SP14M2G10	10 μ "GOLD PLATING OVER NICKEL.
SP14M2G15	15 μ "GOLD PLATING OVER NICKEL.
SP14M2G30	30 μ "GOLD PLATING OVER NICKEL.



QUANTITY	PART NUMBER	DESCRIPTION	ITEM
MATERIALS LIST			
UNLESS OTHERWISE SPECIFIED 1) All dimensions are in millimeters. 2) Tolerances are as follows: 1 PL, DEC 240.30 Fractions, 1/16" 3 PL, DEC 240.08 Fractions, 1/16" 3) Note reference = Δ			
SIGNATURES		DATE	
DRAWN: Flan	DATE: Jul-16-18	DESIGNED: Tom	DATE: Jul-16-18
ENGINEER: Tom	APPROVAL: Tom	CUSTOMER: Tom	DATE: Jul-16-18
MATERIAL SPECIFICATIONS:		PROCESS SPECIFICATIONS:	
TEST SPECIMENS SUPERSEDES SPECIFICATIONS AND PERFORMANCE DATA OF THE MANUFACTURING PROCESS. THE MANUFACTURING PROCESS OF REPRODUCTION ARE LISTED. ALL MANUFACTURING VARIATIONS.		TEST SPECIMENS SUPERSEDES SPECIFICATIONS AND PERFORMANCE DATA OF THE MANUFACTURING PROCESS. THE MANUFACTURING PROCESS OF REPRODUCTION ARE LISTED. ALL MANUFACTURING VARIATIONS.	
SCALE: NONE		SCALE: NONE	
SIZE: B		SIZE: B	
TYPE: C-		TYPE: C-	
DRAWING NO: SP14M2XX		DRAWING NO: SP14M2XX	
REVISION: A1		REVISION: A1	

Amphenol
 Sine Systems - www.amphenol-sine.com
 44724 Morley Drive
 Clinton Township, MI 48036

ECO-MATE PIN CONTACT,
 STAMPED, 16-14AWG, SIZE 16