

# UG291: WGM110 Wi-Fi® Expansion Kit User's Guide



The WGM110 Wi-Fi Expansion Kit is an excellent way to explore and evaluate the WGM110 Wi-Fi Module with an EFM32 MCU for your embedded application.

The kit contains a Wireless Expansion Board (BRD8016A) and a WGM110 Wi-Fi Module Radio Board (BRD4320A). The WGM110 Wi-Fi Module is an easy to use and easy to interface Wi-Fi Network Co-Processor (NCP). Most of the associated complexity of Wi-Fi and the protocol stack is offloaded to the module and allows for easy Wi-Fi integration into any embedded system.

The kit easily integrates and brings Wi-Fi connectivity to a compatible Silicon Labs MCU Starter Kit through the expansion header. The Wireless Expansion Board has also been designed after the Raspberry Pi Hardware Attached on Top (HAT) board specification, allowing the WGM110 Wi-Fi Expansion Kit to connect to a Raspberry Pi.



#### WIRELESS EXPANSION BOARD FEATURES

- EXP connector for interfacing Silicon Labs Starter Kits
  - Common feature set, including SPI, UART, and I2C
  - Allows board detection and identification
- Radio Board connectors for inserting Silicon Labs Wireless Radio Boards
- Mini Simplicity debug connector
  - Supports programming and debugging the module firmware
- LDO for high-power radio boards
- Raspberry Pi compatible HAT
  - Unpopulated header
  - HAT EEPROM for identification

#### WGM110 WI-FI MODULE RADIO BOARD FEATURES

- WGM110A Wizard Gecko Wi-Fi Module
  - Integrated chip antenna
  - 802.11b/g/n compliant
  - TX power: 16 dBm
  - RX sensitivity: -98 dBm
  - CPU core: 32-bit ARM® Cortex-M3
  - Flash memory: 1 MB
  - RAM: 128 kB
  - Module certification: FCC, IC, Japan and Korea
  - CE compliant

# Table of Contents

<b>1. Introduction . . . . .</b>	<b>3</b>
1.1 Kit Contents . . . . .	3
1.2 Getting Started . . . . .	3
<b>2. Hardware Overview . . . . .</b>	<b>4</b>
2.1 Hardware Layout . . . . .	4
<b>3. Wi-Fi Expansion Kit . . . . .</b>	<b>5</b>
3.1 Board Setup . . . . .	5
3.2 Board Identification . . . . .	6
3.3 Host Interfaces . . . . .	6
3.3.1 UART . . . . .	6
3.3.2 SPI . . . . .	7
3.3.3 STK Pin Mapping. . . . .	8
<b>4. Wireless EXP Board . . . . .</b>	<b>9</b>
4.1 EXP Header . . . . .	9
4.1.1 Pass-through Expansion Header . . . . .	10
4.1.2 Expansion Header Pinout . . . . .	10
4.2 Raspberry Pi Connector . . . . .	11
4.2.1 Raspberry Pi Connector Pinout . . . . .	12
4.3 Mini Simplicity Connector . . . . .	13
4.3.1 Mini Simplicity Connector Pinout . . . . .	14
4.4 Power Supply . . . . .	15
<b>5. Reconfiguring the Wi-Fi Module Firmware . . . . .</b>	<b>17</b>
5.1 Building the Module Firmware . . . . .	17
5.2 Programming the Module Firmware . . . . .	18
<b>6. Schematics, Assembly Drawings, and BOM . . . . .</b>	<b>20</b>
<b>7. Kit Revision History . . . . .</b>	<b>21</b>
7.1 SLEXP4320A Revision History . . . . .	21
<b>8. Document Revision History . . . . .</b>	<b>22</b>

## 1. Introduction

The WGM110 Wi-Fi Expansion Kit (OPN: SLEXP4320A) contains a Wireless Expansion Board (BRD8016A) and a WGM110 Wi-Fi Module Radio Board (BRD4320A) that plug directly into each other. The core of the kit is a WGM110 Wizard Gecko Wi-Fi Module which makes this kit an excellent starting point for adding Wi-Fi connectivity to a compatible Silicon Labs MCU Starter Kit.

The kit connects and works out-of-the box by inserting it into the expansion header of one of these Silicon Labs MCU Starter Kits (STKs):

- EFM32 Pearl Gecko PG12 Starter Kit - SLSTK3402A
- EFM32 Pearl Gecko PG1 Starter Kit - SLSTK3401A
- EFM32 Giant Gecko GG11 Starter Kit - SLSTK3701A

**Note:** The kit is sold without a Silicon Labs MCU STK.

The firmware and demo that is available with the kit targets applications where the MCU on the STK serves as a host that drives the application and tells the WGM110 Wi-Fi Module what to do. The picture below shows the kit connected to a Silicon Labs MCU STK through the Expansion Header.

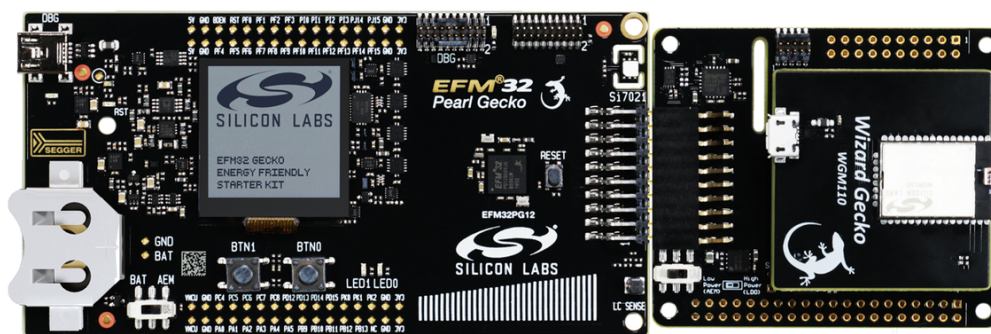


Figure 1.1. WGM110 Wi-Fi Expansion Kit Connected to a Silicon Labs MCU STK

Although the main connectivity path for the kit is to a Silicon Labs MCU STK through the Expansion Header, the kit can also connect to a Raspberry Pi and function as a Raspberry Pi HAT. To do so, a dual row, female socket, 0.1" pitch connector must be soldered in.

**Note:** Do **not** connect the kit to both a Silicon Labs MCU STK and a Raspberry Pi at the same time.

### 1.1 Kit Contents

The following items are included in the box:

- 1x Wireless Expansion Board (BRD8016A)
- 1x WGM110 Wi-Fi Module (BRD4320A)

### 1.2 Getting Started

Detailed instructions for how to get started can be found on the Silicon Labs web pages:

<http://www.silabs.com/start-efm32-wifi>

## 2. Hardware Overview

### 2.1 Hardware Layout

The layout of the WGM110 Wi-Fi Expansion Kit is shown in the figure below.

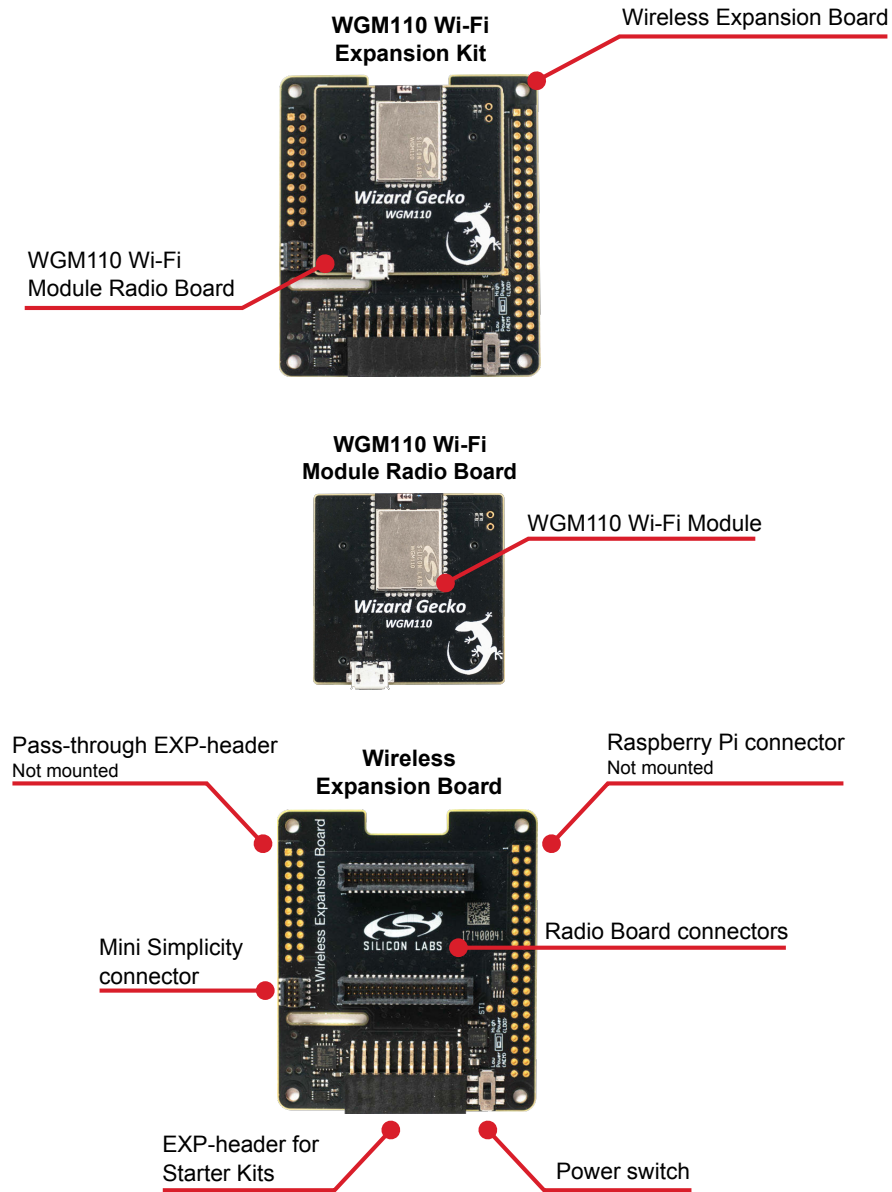


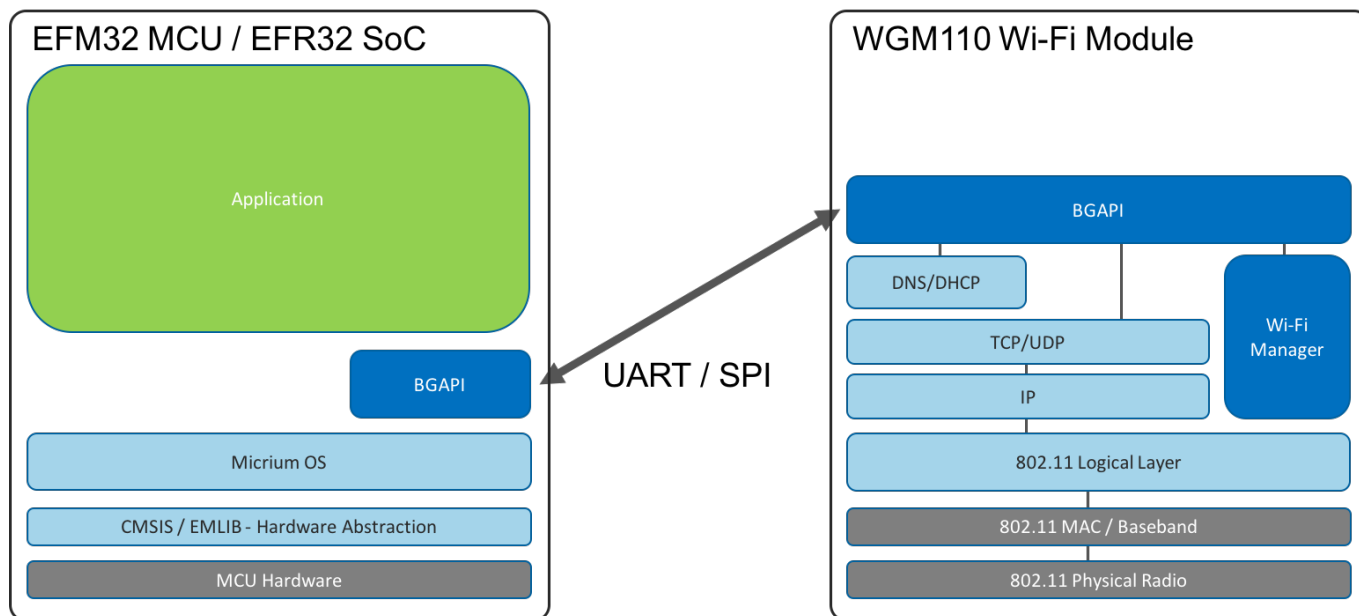
Figure 2.1. WGM110 Wi-Fi Expansion Kit Hardware Layout

### 3. Wi-Fi Expansion Kit

The Wizard Gecko WGM110 is an all-inclusive Wi-Fi Module targeted for applications where good RF performance, low power consumption, and easy application development, together with fast time to market, are key requirements. WGM110 has excellent RF performance and can provide long range with robust wireless connectivity. The WGM110 Module integrates all of the necessary elements required for an IoT Wi-Fi application, including an 802.11b/g/n radio, integrated chip antenna, certifications, a microcontroller, Wi-Fi and IP stacks, an HTTP server, and multiple protocols, such as TCP and UDP.

WGM110 can act as a Wi-Fi client or be used as a Wi-Fi access point, making the provisioning of the device as easy as surfing on the web. WGM110 can host BGScript end user applications, which means applications can be designed without relying on an external microcontroller. Alternatively, the Wi-Fi Module can run in Network Co-Processor (NCP) mode, leaving the complexity of TCP/IP networking to the Module so that the customer's own host controller can be fully dedicated to processing the customer application tasks.

The Wi-Fi expansion kit provides the ability to pair up the WGM110 Wi-Fi Module with an EFM32 host running the user application, using the module as a network co-processor. The kit provides the Wireless EXP Board and a WGM110 Wi-Fi Module Radio Board, and should be used together with a Silicon Labs MCU Starter Kit, such as the EFM32 Pearl Gecko PG12 STK. NCP mode of operation is the primary focus of this kit. For standalone application development, the Wizard Gecko Wi-Fi Module Wireless Starter Kit (SLWSTK6120A) is recommended instead.



**Figure 3.1. WGM110 Wi-Fi Module as a Network Co-Processor (NCP)**

The WGM110 Wi-Fi Module in the kit is pre-configured as a network co-processor, requiring no additional programming of the module itself in order to be used with an MCU Starter Kit. Wi-Fi functionality is exposed to the host MCU on the Starter Kit through the BGAPI interface, over a UART or SPI interface. (UART with RTS/CTS flow control is enabled by default).

All Wi-Fi and network actions are performed through this interface, and the user can focus on developing the application on the host MCU. The module application programming interface is described in detail in the [WGM110 API Reference Manual](#).

#### 3.1 Board Setup

1. Insert the WGM110 Wi-Fi Module Radio Board into the radio board connectors on the Wireless EXP board.
2. Plug the Wireless EXP Board into the EXP header of the MCU Starter Kit.
3. Place the MCU power switch in the "AEM" position, and the Wireless EXP Board power switch in the "High Power (LDO)" position.
4. Insert the USB cable to power up the kit and connect it to a computer.

A detailed quick start guide is described in *QSG145: WGM110 SLEXP4320 Wi-Fi Expansion Kit Quick-Start Guide*.

### 3.2 Board Identification

The Starter Kit and Wireless EXP board provide identification of all the connected boards. This detection and identification is used by the Simplicity Studio tool to present the correct documentation and software examples.

The kit is able to detect which radio board is inserted, but requires the board to be inserted at power-on. It is therefore important to always connect the boards together before inserting the USB cable into the starter kit (powering on the boards).

### 3.3 Host Interfaces

There are two available host interfaces on the WGM110 Wi-Fi Expansion Kit, one of which can be used to connect the WGM110 Wi-Fi Module to an external host. The production firmware on the WGM110 Wi-Fi Module uses UART with RTS/CTS flow control as the default host interface. For information on how to reprogram the firmware on the WGM110 Wi-Fi Module, see Section 5. [Reconfiguring the Wi-Fi Module Firmware](#).

#### 3.3.1 UART

UART with RTS/CTS flow control is enabled by default on the production firmware of the WGM110 Wi-Fi Module. The UART peripheral routing is illustrated in the figure below.

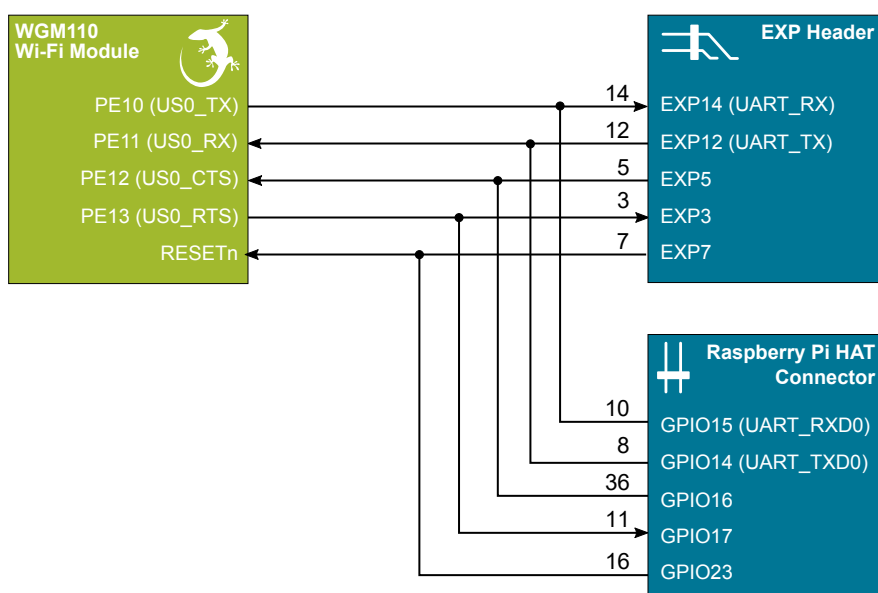


Figure 3.2. UART Peripheral Routing on the WGM110 Wi-Fi Expansion Kit

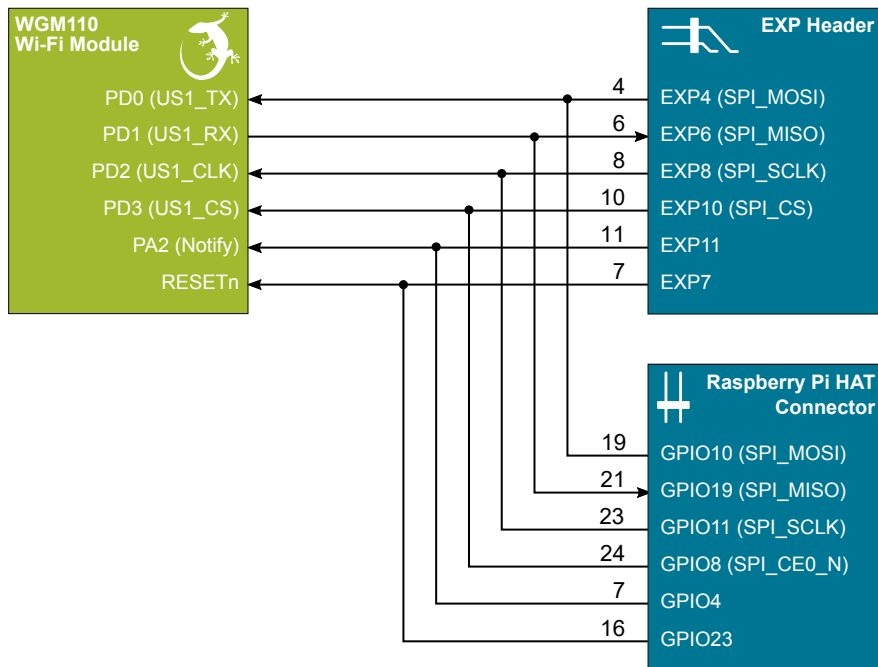
The table below shows the features of the UART host interface. The WGM110 Wi-Fi Module comes programmed with the settings listed under default value.

Table 3.1. UART Host Interface Features and Default Values

Parameter	Features / Supported Ranges	Default Value
UART baud rate	9600 bps - 6 Mbps	115200 Kbps
Flow control	RTS/CTS	Enabled
Data bits	8 or 9	8
Parity	none, odd, even	None
Stop bits	1 or 2	1
Host protocol	BGAPI serial protocol	BGAPI serial protocol

### 3.3.2 SPI

SPI is one of two host interfaces available on the Wireless Expansion Board. In order to use SPI as the connection between the WGM110 Wi-Fi Module and a host, the module must be reprogrammed. For more information about how to do this, see Section 3. [Wi-Fi Expansion Kit](#). The SPI peripheral routing is illustrated in the figure below.



**Figure 3.3. SPI Peripheral Routing on the WGM110 Wi-Fi Expansion Kit**

The table below shows the features of the SPI host interface.

**Table 3.2. SPI Host Interface Features**

Parameter	Features (Value Ranges)
SPI mode	SPI slave
Bit rates	9600 bps - 6 Mbps
Bit order	MSB first
Clock polarity and phase	Configurable
Host protocol	BGAPI serial protocol

### 3.3.3 STK Pin Mapping

The pins connected to the WGM110 Wi-Fi Module will vary based on which Starter Kit is used in the configuration. The software running on the MCU Starter Kit needs to take this into account. The table below shows the pin connections when using either the EFM32 Pearl Gecko PG1 STK or the EFM32 Pearl Gecko PG12 STK.

**Table 3.3. MCU Pin Mapping**

EXP Header Pin	Module Function	EFM32 Pearl Gecko PG1 STK	EFM32 Pearl Gecko PG12 STK
EXP4	SPI_MOSI	PC6 (US1_TX#11)	PA6 (US2_TX #1)
EXP6	SPI_MISO	PC7 (US1_RX #11)	PA7 (US2_RX #1)
EXP8	SPI_SCLK	PC8 (US1_CLK #11)	PA8 (US2_CLK #1)
EXP10	SPI_CS	PC9 (US1_CS #11)	PA9 (US2_CS #1)
EXP12	UART_RXD	PA0 (US0_TX #0)	PD10 (US0_TX #18)
EXP14	UART_TXD	PA1 (US0_RX #0)	PD11 (US0_RX #18)
EXP3	UART_RTS	PA2 (US0_CTS #31)	PC9 (US0_CTS #10)
EXP5	UART_CTS	PA3 (US0_RTS #31)	PD9 (US0_RTS #12)
EXP7	RESET	PA4	PB6

Note that the peripheral mapping shown in the right column is just an example. The flexibility of the EFM32 devices allow a number of different peripherals to be mapped to these pins. The important thing to note is which pin is used for the connection. The peripheral usage is a design choice that depends on which other resources are required by the application.



## 4. Wireless EXP Board

This chapter gives an overview of the Wireless Expansion Board connectivity and power connections.

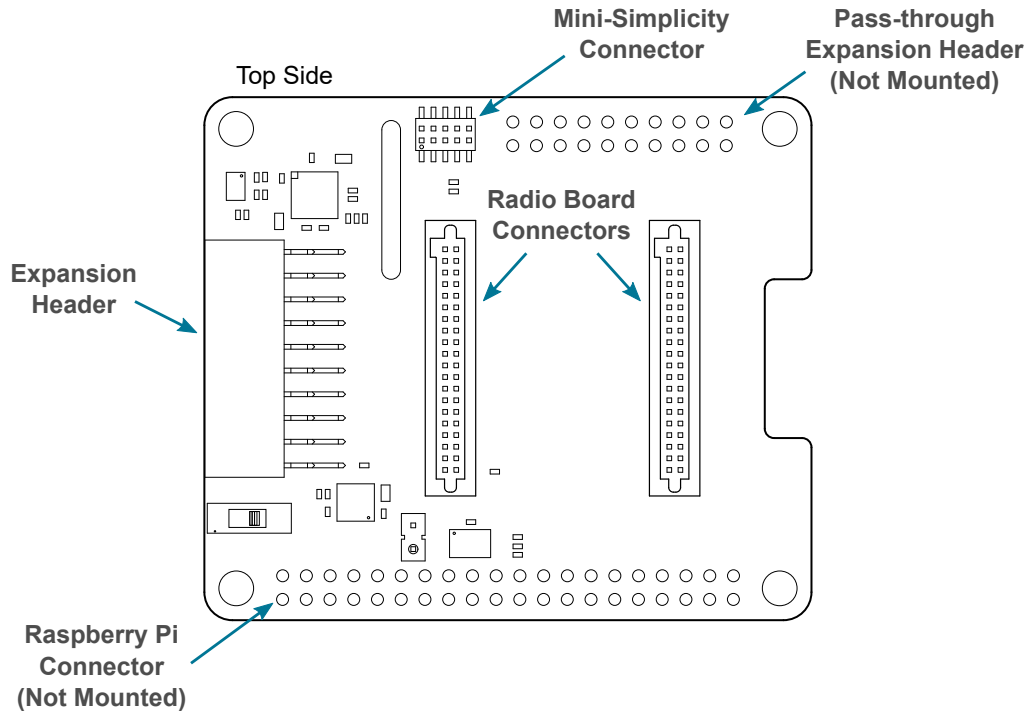


Figure 4.1. Wireless Expansion Board Connector Layout

### 4.1 EXP Header

On the left hand side of the Wireless Expansion Board, an angled female 20-pin expansion header is provided to allow connection to one of Silicon Labs' supported Starter Kits. The expansion header on the Starter Kits follows a standard which ensures that commonly used peripherals such as an SPI, a UART, and an I2C bus, are available on fixed locations on the connector. Additionally, the VMCU, 3V3 and 5V power rails are also available on the expansion header. For detailed information regarding the pinout to the expansion header on a specific Starter Kit, consult the accompanying user's guide.

The figure below shows how the WGM110 Wi-Fi Module is connected to the connector and the peripheral functions that are available.

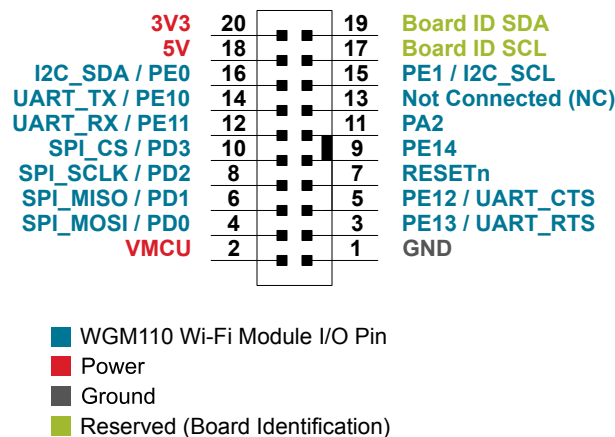


Figure 4.2. Expansion Header

#### 4.1.1 Pass-through Expansion Header

The Wireless Expansion Board features a footprint for a secondary expansion header. The signals from the expansion header are directly tied to the corresponding pins in the footprint, allowing daisy-chaining of additional expansion boards if a connector is soldered in.

#### 4.1.2 Expansion Header Pinout

The table below shows the pin assignments of the Expansion Header, and the port pins and peripheral functions that are available on the WGM110 Wi-Fi Module.

**Table 4.1. Expansion Header Pinout**

Expansion Header		WGM110 Wi-Fi Module		Raspberry Pi Con.	Mini Simplicity Con.
Pin	Function	Pin	Peripheral	Pin(s)	Pin
2	WGM110 Wi-Fi Module voltage domain (power switch set to Low Power)	VMCU		-	1
4	SPI_MOSI	PD0	USART1_MOSI	19, 33	-
6	SPI_MISO	PD1	USART1_MISO	21	-
8	SPI_SCLK	PD2	USART1_CLK	23, 38	-
10	SPI_CS	PD3	USART1_CS	24	-
12	UART_TX	PE11	USART0_RX	8	4
14	UART_RX	PE10	USART0_TX	10	5
16	I2C_SDA	PE0	I2C1_SDA	3	-
18	Board 5V supply. Used to supply LDO regulator.	5V		2, 4	-
20	Board 3V3 supply. Only used for board identification.	3V3		1, 17	-
1	Ground	GND		6, 9, 14, 20, 25, 30, 34, 39	2
3	UART_CTS	PE13	USART0_RTS	11, 40	-
5	UART_RTS	PE12	USART0_CTS	37, 36	-
7	Reset	RESETn		16	3
9	GPIO	PE14		15	-
11	GPIO	PA2		7	-
13	Not Connected			-	-
15	I2C_SCL	PE1	I2C1_SCL	5	-
17	Identification of expansion boards.	BOARD_ID_SCL		-	-
19	Identification of expansion boards.	BOARD_ID_SDA		-	-

## 4.2 Raspberry Pi Connector

On the bottom side of the Wireless Expansion Board, a dual row, female socket, 0.1" pitch connector can be soldered in to allow the WGM110 Wi-Fi Expansion Kit to act as a Raspberry Pi Hardware Attached on Top (HAT) board.

The figure below shows how the WGM110 Wi-Fi Module is connected to the connector and the peripheral functions that are available.

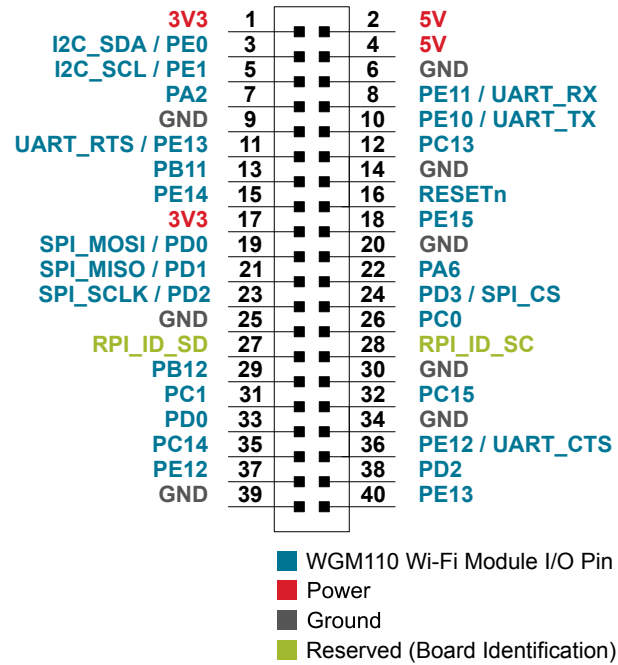


Figure 4.3. Raspberry Pi Connector

#### 4.2.1 Raspberry Pi Connector Pinout

The table below shows the pin assignments of the Raspberry Pi connector, and the port pins and peripheral functions that are available on the WGM110 Wi-Fi Module.

**Table 4.2. Raspberry Pi Connector Pinout**

Raspberry Pi Connector				Expansion Header	Mini Simplicity Con.
Pin(s)	WGM110 Pin	Function	Raspberry Pi Pin	Pin	Pin
1	3V3	Board 3V3 supply	3v3 Power	20	-
2	5V	Board 5V supply	5v Power	18	-
3	PE0	I2C_SDA	BCM 2 (SDA)	16	-
4	5V	Board 5V supply	5v Power	18	-
5	PE1	I2C_SCL	BCM 3 (SCL)	15	-
6	GND	Ground	Ground	1	2
7	PA2	GPIO	BCM 4 (GPCLK0)	11	-
8	PE11	UART_RX	BCM 14 (TXD)	12	4
9	GND	Ground	GND	1	2
10	PE10	UART_TX	BCM 15 (RXD)	14	5
11 (40)	PE13	UART_RTS	BCM 17	3	-
12	PC13	GPIO	BCM 18 (PWM0)	-	-
13	PB11	GPIO	BCM 27	-	-
14	GND	Ground	Ground	1	2
15	PE14	GPIO	BCM 22	9	-
16	RESETn	Reset	BCM 23	7	3
17	3V3	Board 3V3 supply	3v3 Power	20	-
18	PE15	GPIO	BCM 24	-	-
19 (33)	PD0	SPI_MOSI	BCM 10 (MOSI)	4	-
20	GND	Ground	Ground	1	2
21	PD1	SPI_MISO	BCM 9 (MISO)	6	-
22	PA6	GPIO	BCM 25	-	-
23 (38)	PD2	SPI_SCLK	BCM 11 (SCLK)	8	-
24	PD3	SPI_CS	BCM 8 (CE0)	10	-
25	GND	Ground	Ground	1	2
26	PC0	GPIO	BCM 7 (CE1)	-	-
27	ID_SD	ID EEPROM	BCM 0 (ID_SD)	-	-
28	ID_SC	ID EEPROM	BCM 1 (ID_SC)	-	-
29	PB12	GPIO	BCM 5	-	-
30	GND	Ground	Ground	1	2
31	PC1	GPIO	BCM 6	-	-

Raspberry Pi Connector				Expansion Header	Mini Simplicity Con.
Pin(s)	WGM110 Pin	Function	Raspberry Pi Pin	Pin	Pin
32	PC15	GPIO	BCM 12 (PWM0)	-	-
33 (19)	PD0	GPIO	BCM 13 (PWM1)	4	-
34	GND	Ground	Ground	1	2
35	PC14	GPIO	BCM 19 (MISO)	-	-
36 (37)	PE12	UART_CTS	BCM 16	5	-
37 (36)	PE12	GPIO	BCM 26	5	-
38 (23)	PD2	GPIO	BCM 20 (MOSI)	8	-
39	GND	Ground	Ground	1	2
40 (11)	PE13	GPIO	BCM 21 (SCLK)	3	-

**Note:** Several of the Raspberry Pi GPIO pins are connected together when the WGM110 Wi-Fi Module Radio Board is inserted. This is because of connections on the radio board itself, and are not because they are connected together on the Wireless EXP Board. Care must be taken when driving these pins to avoid creating short circuits.

### 4.3 Mini Simplicity Connector

The Mini Simplicity connector, featured on the WGM110 Wi-Fi Expansion Kit, allows the use of an external debugger, such as those featured on one of the kits listed under Section 1. [Introduction](#). In addition to providing serial wire debug (SWD) and virtual COM port functionality, the debugger on the STKs can also support advanced energy profiling tools. For more information see [AN958: Debugging and Programming Interfaces for Custom Designs](#).

**Note:** Using the Mini Simplicity connector with the kit requires a Silicon Labs debug adapter kit (OPN: SLSDA001A).

The pinout of the connector, as seen from the WGM110 Wi-Fi Module side, is illustrated in the figure below.

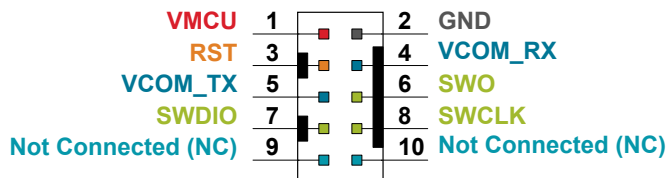


Figure 4.4. Mini Simplicity Connector

### 4.3.1 Mini Simplicity Connector Pinout

The pin assignment of the Mini Simplicity connector on the board is given in the table below.

**Table 4.3. Mini Simplicity Connector Pin Descriptions**

Pin Number	WGM110 Connection	Function	Description
1	VMCU	VAEM	Target voltage on the debugged application. Supplied and monitored by the AEM when the power selection switch on the STK used for debugging is in the "AEM" position.
2	GND	GND	Ground
3	Reset	DBG_RST	Reset
4	PE11	VCOM_RX	Virtual COM Rx
5	PE10	VCOM_TX	Virtual COM Tx
6	PF2	DBG_SWO	Serial Wire Output
7	PF1	DBG_SWDIO	Serial Wire Data
8	PF0	DBG_SWCLK	Serial Wire Clock
9	NC	Not connected	-
10	NC	Not connected	-

## 4.4 Power Supply

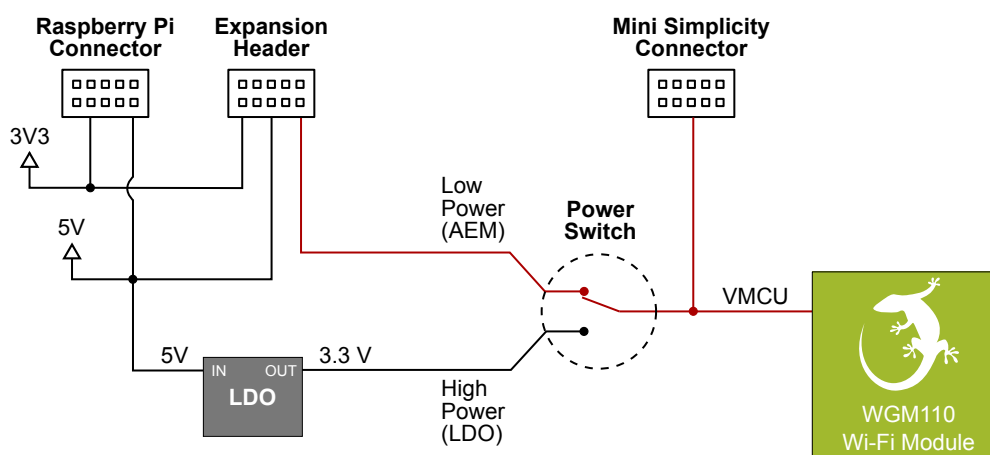
There are three ways to provide power to the kit:

- The kit can be connected to, and powered by, a Silicon Labs MCU STK
- The kit can be connected to, and powered by, a Raspberry Pi
- If the kit is connected to a Silicon Labs MCU STK, the kit can also be powered through the Mini Simplicity Connector.

**Note:** Connecting the WGM110 Wi-Fi Expansion Kit to both an STK and a Raspberry Pi at the same time is not a valid option.

When connected to a Silicon Labs MCU STK, the WGM110 Wi-Fi Module can either be powered by the VMCU rail present on the Expansion Header, or through an LDO regulator on board the Wireless Expansion Board. The LDO regulator draws power from the 5V net, and hence, the power consumption of the WGM110 Wi-Fi Module will not be included in any AEM measurements performed by the MCU STK. A mechanical power switch on the Wireless Expansion Board is used to select between Low Power (AEM) mode and High Power (LDO) mode. When the switch is set to Low Power (AEM) mode, the WGM110 Wi-Fi Module is connected to the VMCU net on the Expansion Header. When the switch is set to High Power (LDO) mode, the WGM110 Wi-Fi Module is connected to the output of the LDO. For applications requiring high power consumption, or when the WGM110 Wi-Fi Expansion Kit is connected to a Raspberry Pi, the power switch must be set to High Power (LDO) mode.

The power topology is illustrated in the figure below.



**Figure 4.5. WGM110 Wi-Fi Expansion Kit Power Topology**

The power supply options are summarized in [Table 4.4 WGM110 Wi-Fi Expansion Kit Power Options](#) on page 15. Information on placement of the power switch and the connectors can be found in [Section 2.1 Hardware Layout](#).

**Table 4.4. WGM110 Wi-Fi Expansion Kit Power Options**

Host	Host MCU STK Power Switch	Debugger (STK) Power Switch	Wireless Expansion Board Power Switch	Power Source
MCU STK	AEM	BAT	Low power (AEM)	MCU STK provides power to both MCU and radio board.
MCU STK	AEM	BAT	High power (LDO)	MCU is powered by MCU STK. Radio board is powered by LDO on the Wireless Expansion Board
MCU STK	BAT	AEM	Low power (AEM)	External STK debugger provides power to both MCU and radio board.

Host	Host MCU STK Power Switch	Debugger (STK) Power Switch	Wireless Expansion Board Power Switch	Power Source
Raspberry Pi	-	BAT	High power (LDO)	Radio board is powered by LDO on the Wireless Expansion Board

**Note:** It is important to only use the configurations provided in the table above in order to avoid any power conflicts. Furthermore, it is important to make sure that the coin cell battery holder is empty whenever the power switch should be set to BAT.



## 5. Reconfiguring the Wi-Fi Module Firmware

The WGM110 Wi-Fi Module has several hardware interfaces that can be enabled, including the SPI slave interface, the USB device, and the micro-SD card. To configure the module's hardware interfaces, the module firmware needs to be recompiled and re-programmed.

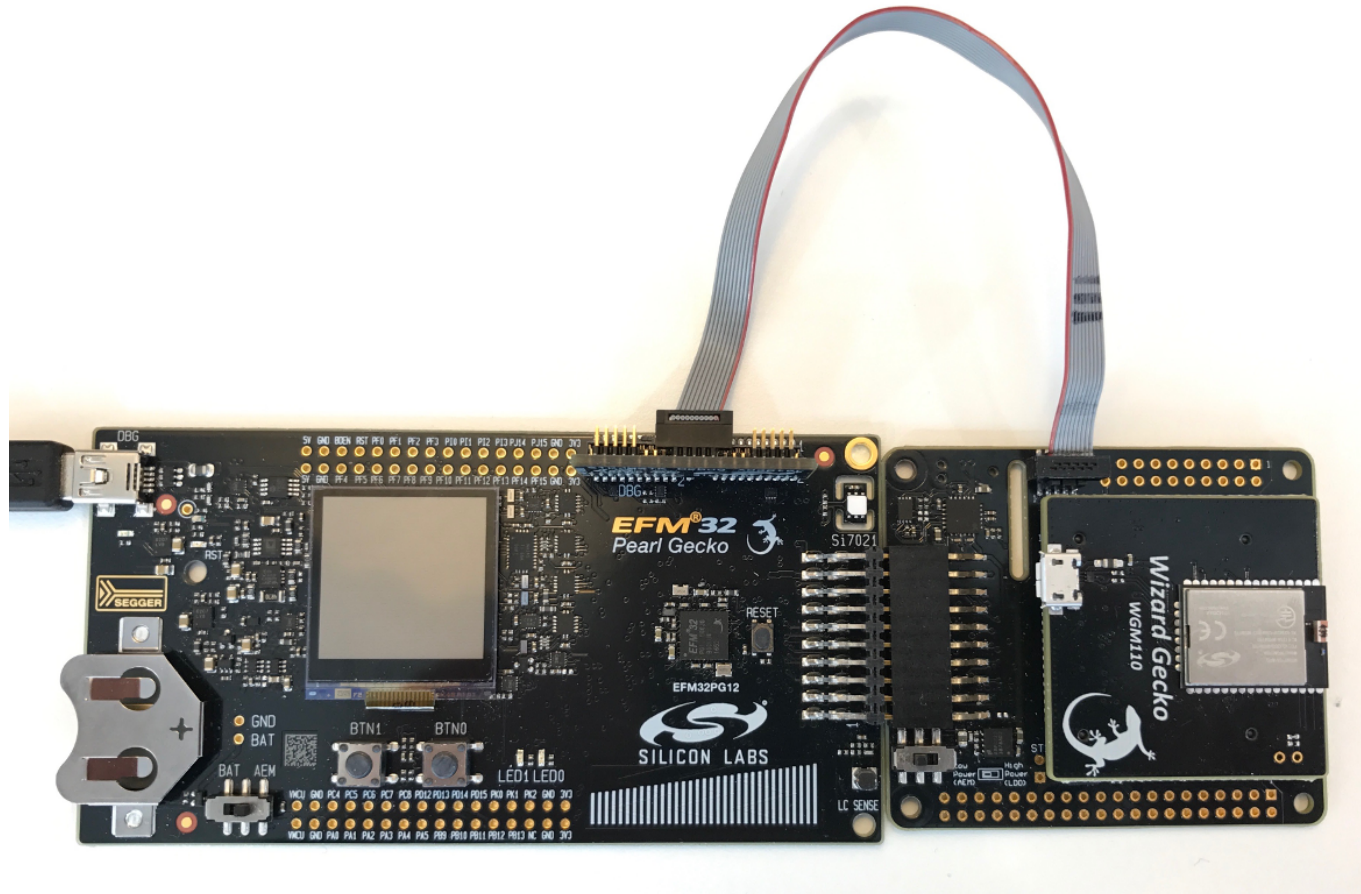
The Mini Simplicity connector on the Wireless EXP Board provides a Serial Wire Debug interface to the WGM110 module, which can be used to upload the reconfigured module firmware. Alternatively, the Device Firmware Update protocol (DFU) can be used to update the firmware over the UART or SPI interface.

### 5.1 Building the Module Firmware

Configuring the hardware interface settings of the WGM110 can be done using either the BGBuild command line tool, or the GUI based BGTool. [UG161: WGM110 Wi-Fi Module Configuration Guide](#) explains in detail how to configure the hardware interfaces of the WGM110 Wi-Fi Module.

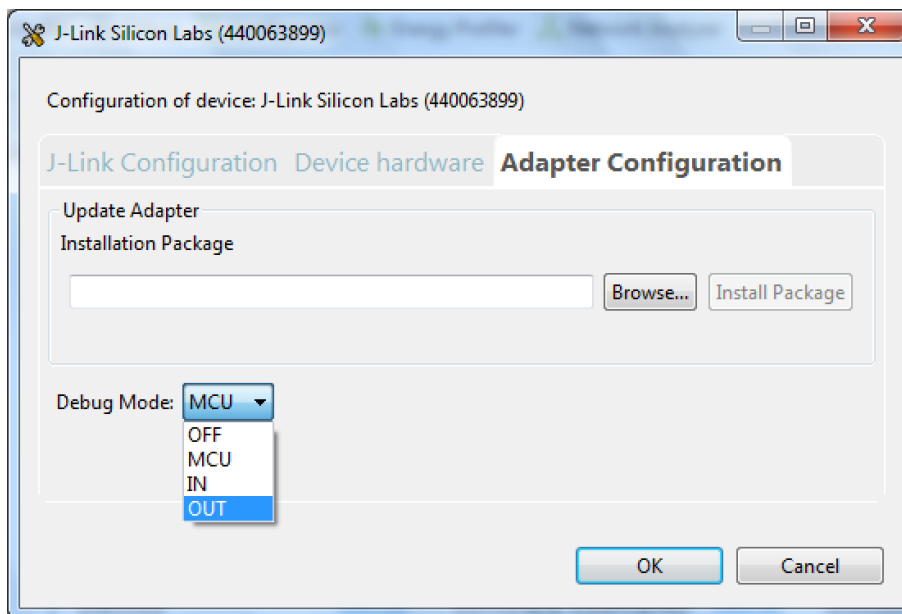
## 5.2 Programming the Module Firmware

The 10-pin Mini Simplicity connector on the Wireless EXP Board provides a Serial Wire Debug connection to the WGM110 Wi-Fi Module that can be used to upload the re-configured module firmware. Silicon Labs offers a [Simplicity Debug Adapter Board](#) that connects between the two 20-pin debug connectors on Silicon Labs Starter Kits and the 10-pin connector on the Wireless EXP Board.



**Figure 5.1. MCU Starter Kit as Programmer for WGM110 Wi-Fi Module Radio Board**

When programming the module firmware using the BGTool, the Starter Kit's debug multiplexer must be set to "Debug OUT". This allows the kit to program the module connected through the debug adapter instead of the on-board MCU. The Simplicity Studio tool provides a device configuration utility that can change the kit's debug mode between "MCU" and "OUT".



**Figure 5.2. Configuring the Debug Mode**

Remember to change the debug mode back to MCU after the module has been configured in order to continue application development on the host MCU.

## 6. Schematics, Assembly Drawings, and BOM

Schematics, assembly drawings, and bill of materials (BOM) are available through Simplicity Studio when the kit documentation package has been installed.

## 7. Kit Revision History

The kit revision can be found printed on the kit packaging label, as outlined in the figure below.

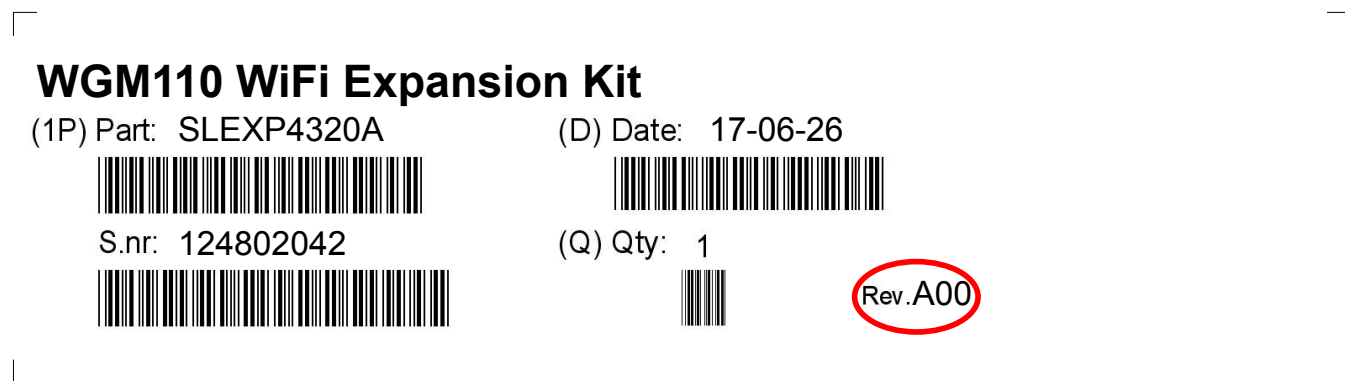


Figure 7.1. Kit Label

### 7.1 SLEXP4320A Revision History

Kit Revision	Released	Description
A00	2017-06-26	Initial release.

## 8. Document Revision History

### Revision 1.0

2017-06-12

- Initial document revision.

Silicon Labs

# Simplicity Studio™4



## Simplicity Studio

One-click access to MCU and wireless tools, documentation, software, source code libraries & more. Available for Windows, Mac and Linux!



IoT Portfolio  
[www.silabs.com/IoT](http://www.silabs.com/IoT)



SW/HW  
[www.silabs.com/simplicity](http://www.silabs.com/simplicity)



Quality  
[www.silabs.com/quality](http://www.silabs.com/quality)



Support and Community  
[community.silabs.com](http://community.silabs.com)

### Disclaimer

Silicon Labs intends to provide customers with the latest, accurate, and in-depth documentation of all peripherals and modules available for system and software implementers using or intending to use the Silicon Labs products. Characterization data, available modules and peripherals, memory sizes and memory addresses refer to each specific device, and "Typical" parameters provided can and do vary in different applications. Application examples described herein are for illustrative purposes only. Silicon Labs reserves the right to make changes without further notice and limitation to product information, specifications, and descriptions herein, and does not give warranties as to the accuracy or completeness of the included information. Silicon Labs shall have no liability for the consequences of use of the information supplied herein. This document does not imply or express copyright licenses granted hereunder to design or fabricate any integrated circuits. The products are not designed or authorized to be used within any Life Support System without the specific written consent of Silicon Labs. A "Life Support System" is any product or system intended to support or sustain life and/or health, which, if it fails, can be reasonably expected to result in significant personal injury or death. Silicon Labs products are not designed or authorized for military applications. Silicon Labs products shall under no circumstances be used in weapons of mass destruction including (but not limited to) nuclear, biological or chemical weapons, or missiles capable of delivering such weapons.

### Trademark Information

Silicon Laboratories Inc.®, Silicon Laboratories®, Silicon Labs®, SiLabs® and the Silicon Labs logo®, Bluegiga®, Bluegiga Logo®, Clockbuilder®, CMEMS®, DSPPLL®, EFM®, EFM32®, EFR®, Ember®, Energy Micro, Energy Micro logo and combinations thereof, "the world's most energy friendly microcontrollers", Ember®, EZLink®, EZRadio®, EZRadioPRO®, Gecko®, ISOModem®, Micrium, Precision32®, ProSLIC®, Simplicity Studio®, SiPHY®, Telegesis, the Telegesis Logo®, USBXpress®, Zentri and others are trademarks or registered trademarks of Silicon Labs. ARM, CORTEX, Cortex-M3 and THUMB are trademarks or registered trademarks of ARM Holdings. Keil is a registered trademark of ARM Limited. All other products or brand names mentioned herein are trademarks of their respective holders.



Silicon Laboratories Inc.  
400 West Cesar Chavez  
Austin, TX 78701  
USA

<http://www.silabs.com>