

SERIES: RCP-01 | **DESCRIPTION:** RCA PLUG

FEATURES

- modular RCA plug connector
- available in multiple colors


PART NUMBER KEY
RCP-01 X

Base Number

Color Options

- 1 = black
- 2 = red
- 3 = white
- 4 = yellow
- 5 = blue
- 6 = green

SPECIFICATIONS

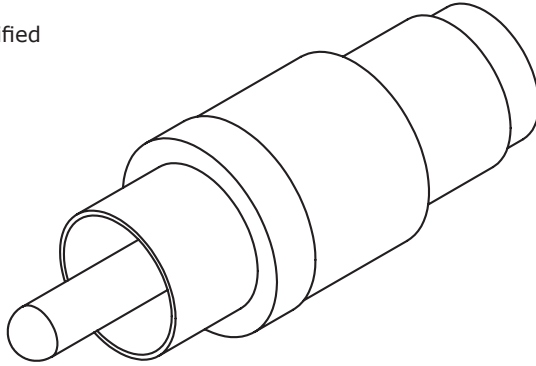
| parameter | conditions/description | min | typ | max | units |
|-----------------------|------------------------|-----|-------|-----|--------|
| rated input voltage | | | 12 | | Vdc |
| rated input current | | | | 5 | A |
| contact resistance | | | | 30 | mΩ |
| insulation resistance | at 500 Vdc | 100 | | | MΩ |
| voltage withstand | for 1 minute | | | 500 | Vac |
| operating temperature | | -40 | | 40 | °C |
| life | | | 5,000 | | cycles |
| flammability | UL94HB | | | | |
| RoHS | 2011/65/EU | | | | |

SOLDERABILITY

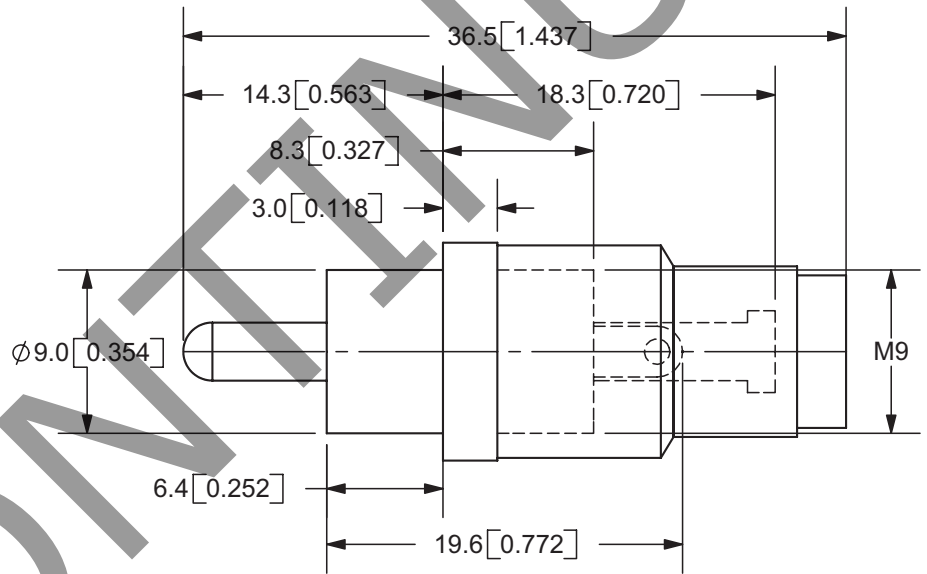
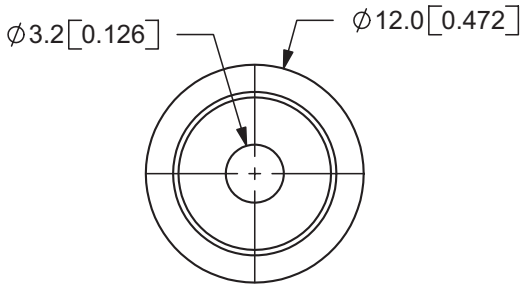
| parameter | conditions/description | min | typ | max | units |
|----------------|------------------------|-----|-----|-----|-------|
| hand soldering | for 3~5 seconds | | 340 | | °C |

MECHANICAL DRAWING

units: mm[inches]
 tolerance: ± 0.3 mm
 unless otherwise specified



| | MATERIAL | PLATING |
|----------------|----------|---------|
| earth terminal | brass | nickel |
| tip terminal | brass | nickel |
| barrel | brass | nickel |
| cover | ABS | color |
| barrel housing | ABS | color |



DISCOM

REVISION HISTORY

| rev. | description | date |
|------|---------------------------|------------|
| 1.0 | initial release | 05/16/2006 |
| 1.01 | applied new spec template | 07/24/2015 |

The revision history provided is for informational purposes only and is believed to be accurate.



Headquarters
20050 SW 112th Ave.
Tualatin, OR 97062
800.275.4899

Fax 503.612.2383
cui.com
techsupport@cui.com

CUI offers a one (1) year limited warranty. Complete warranty information is listed on our website.

CUI reserves the right to make changes to the product at any time without notice. Information provided by CUI is believed to be accurate and reliable. However, no responsibility is assumed by CUI for its use, nor for any infringements of patents or other rights of third parties which may result from its use.

CUI products are not authorized or warranted for use as critical components in equipment that requires an extremely high level of reliability. A critical component is any component of a life support device or system whose failure to perform can be reasonably expected to cause the failure of the life support device or system, or to affect its safety or effectiveness.