

## Product Specification for Approval

WE ARE PLEASED IN SUBMITTING OUR SAMPLES WITH SPECIFICATION TO YOU FOR APPROVAL.

<b>CUSTOMER</b>	:	
<b>DESCRIPTION</b>	:	<b>Common Mode Choke</b>
<b>MNC P/N</b>	:	<b>CM0903SG881N</b>
<b>VERSION</b>	:	<b>A0</b>
<b>CUSTOMER P/N</b>	:	
<b>ISSUED DATE</b>	:	<b>2020/4/26</b>
<b>PHOTO OF PRODUCT</b>	:	
<b>WEIGHT</b>	:	<b>1.38g</b>
<b>MADE IN</b>	:	<b>CHINA</b>



APPROVED BY MNC		
PREPARED BY	CHECKED BY	APPROVED BY

APPROVED BY CUSTOMER
SIGNATURE OR STAMP

1. PLEASE SEND BACK US A COPY OF THE SPECIFICATION WITH YOUR STAMP OR SIGNATURE ONCE THE SAMPLES APPROVED.
2. IT WILL BE DEEMED THE SAMPLES TO BE APPROVED IF NO FEEDBACK.

东莞铭普光磁股份有限公司  
 Add: Shipai Town, Dongguan City, Guangdong Province, China

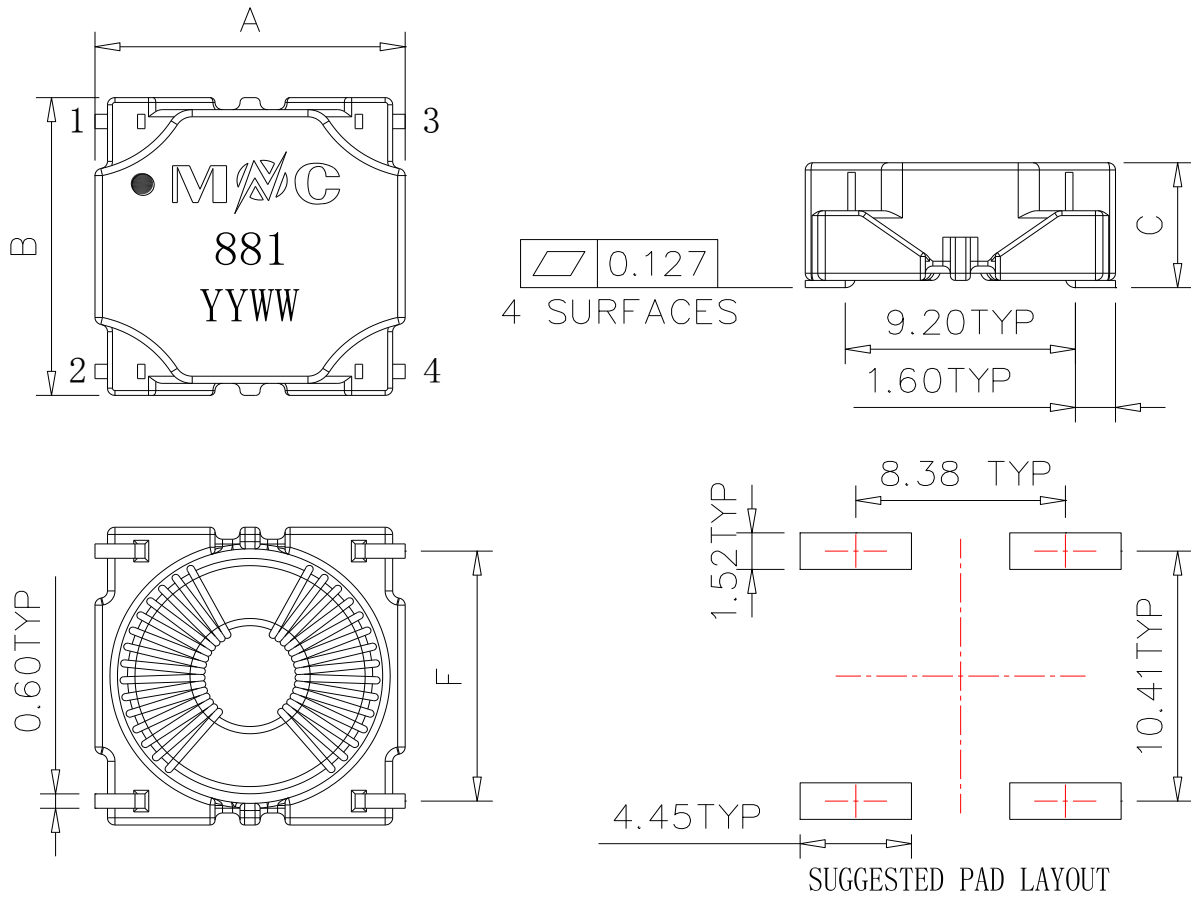
TEL: +86-769-86921000  
 FAX: +86-769-81701563

**INDEX**

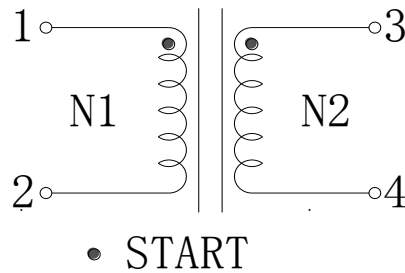
1. INDEX-----	1
2. CHANGE RECORD-----	1
3. MECHANICAL-----	2
4. SCHEMATIC-----	3
5. PACKING-----	4
6. MATERIAL LIST-----	5
7. RECOMMENDED SOLDERING PROFILE-----	6

**CHANGE RECORD**

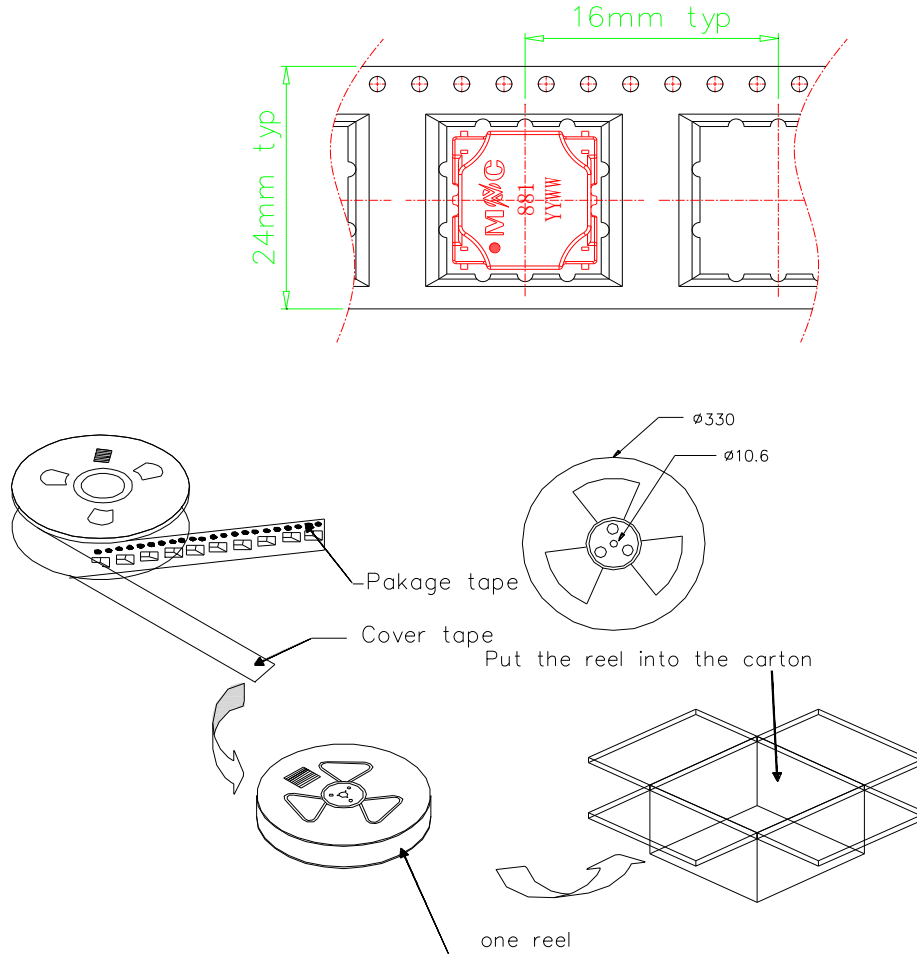
REV.	DESCRIPTION (Content or Reason For Change)	DATE	REVISOR
A0	Initial release	2020/4/26	Alakay

**SPECIFICATION**
**Part No. CM0903SG881N**
**A. MECHANICAL:**


DIM	MILLIMETERS			INCHES		
	MIN	NOM	MAX	MIN	NOM	MAX
A	/	/	12.70	/	/	0.500
B	/	/	12.70	/	/	0.500
C	/	/	5.46	/	/	0.215
F	/	10.41	/		0.410	/

**SPECIFICATION**
**Part No. CM0903SG881N**
**B. SCHEMATIC :**

**C. ELECTRICAL SPECIFICATION @25°C**

ITEM	SPECIFICATION	TEST CONDITION	TEST EQUIPMENT
INDUCTANCE: (1-2)	880uH ±35%	100KHz, 0.1V	TH2819XB OR EQU.
INDUCTANCE: (3-4)	880uH ±35%	100KHz, 0.1V	TH2819XB OR EQU.
DC RESISTANCE: (1-2)	110mΩ MAX	25°C	TH2512B OR EQU.
DC RESISTANCE: (3-4)	110mΩ MAX	25°C	TH2512B OR EQU.
HI-POT: (1-2) to (3-4)	1000Vac	1mA, 1Sec, 50Hz	TH9201S OR EQU.
TURNS RATIO: (1-2) : (3-4)	1:1±5%	20KHz, 1V	TH2819XB OR EQU.
RATED CURRENT:	1.63A Max ΔT≤40°C (无风环境下)		
OPERATING TEMPERATURE RANGE:	-40°C to +85°C		
STORAGE TEMPERATURE RANGE:	-40°C to +125°C		

**PACKAGE**
**Part No. CM0903SG881N**
**1. PACKING:**
**a. PACKAGING AS BELOW (ONLY FOR REFERENCE):**

**b. Q'TY:**

600pcs/reel  
 8reel/carton  
 4800pcs/carton

**c. LABEL:**

**REMARK:**

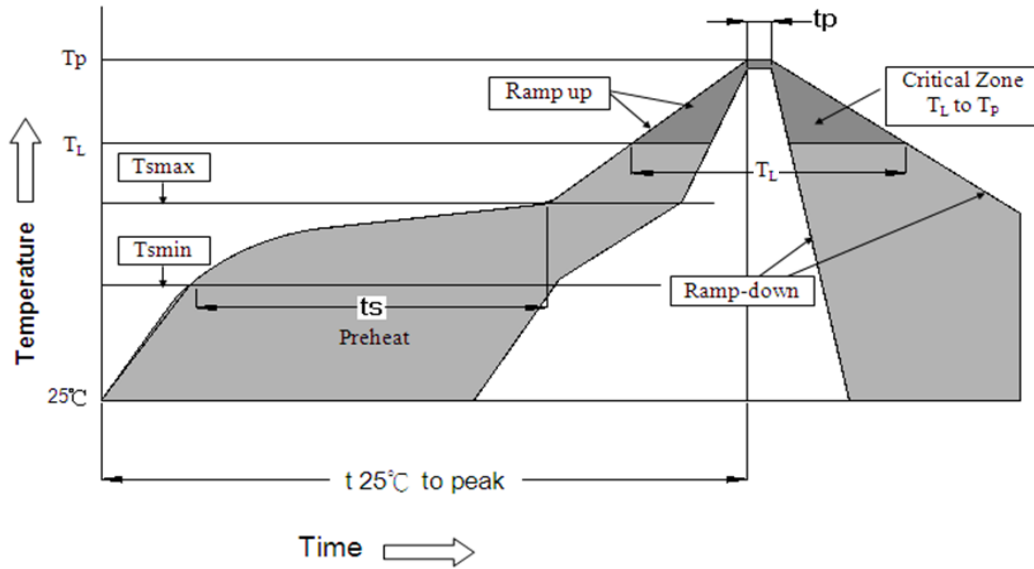
ABOVE PACKING IS FOR YOUR REFERENCE ONLY, WHICH MIGHT BE CHANGED WITHOUT NOTICE.

**MATERIAL LIST**
**Part No. CM0903SG881N**
**BOM**

MATERIAL LIST					
NO.	ITEM	MATERIAL	RATING	SUPPLIER OF MATERIAL	UL
1	CORE	Ferrite Mn-Zn	-----	RUYUAN DONGYANGGUANG MAGNETIC MATERIALS CO.,LTD	N/A
				SUNSINE ELECTRONIC TECHNOLOGY CO., LTD. OR EQU.	
2	WIRE	UEWH/U@	180℃	PACIFIC ELECTRIC WIRE & CABLE CO., LTD.	E201757
		*xUEW180	180℃	ZHUHAI SUNTEK WIRE CO.,LTD OR EQU.	E234867
3	EPOXY	9053A/B	-----	MIANYANG WELLS ELECTRONIC MATERIALS CO., LTD. OR EQU.	E223455
4	CASE	PHENOLIC (WH-8100F)	130℃	WAH HONG INDUSTRIAL CORP.	E150608
		PHENOLIC (PM-9630)	150℃	SUMITOMO BAKELITE CO LTDOR EQU.	E41429
5	SOLDER	Sn99.3Cu0.7 LF-303	-----	ELECTROLOY METAL(SHENZHEN)CO.,LTD. OR EQU.	N/A

**RECOMMENDED SOLDERING PROFILE**
**Part No. CM0903SG881N**
**1. RECOMMENDED REFLOW SOLDERING PROFILE:**

Below content is only for your reference.


 $T_L = 217^\circ\text{C}$ 
 $T_p = 265^\circ\text{C}$ 
 $t_s = 60-180\text{s}$ 
 $T_s \text{ max} = 200^\circ\text{C}$ 
 $T_s \text{ min} = 150^\circ\text{C}$ 
 $T_L = 60-150\text{s}$ 
 $T_p = 20-40\text{s}$ 
 $T_{25^\circ\text{C to peak}} = 8 \text{ min max}$ 

 Ramp up rate =  $3^\circ\text{C/s max}$ 

 Ramp down rate =  $6^\circ\text{C/s max}$ 

\*RoHS Compliant

\*Solder Paste SAC 305 Sn 96.5/Ag 3.0/Cu 0.5

\*Silkscreen thickness: 0.15mm Min

**2. MOISTURE SENSITIVE LEVEL:**

2.1. Level: 1

2.2. Shelf Life: Unlimited

 2.3. Storage Condition:  $\leq 30^\circ\text{C}/85\% \text{ RH}$