

4

3

2

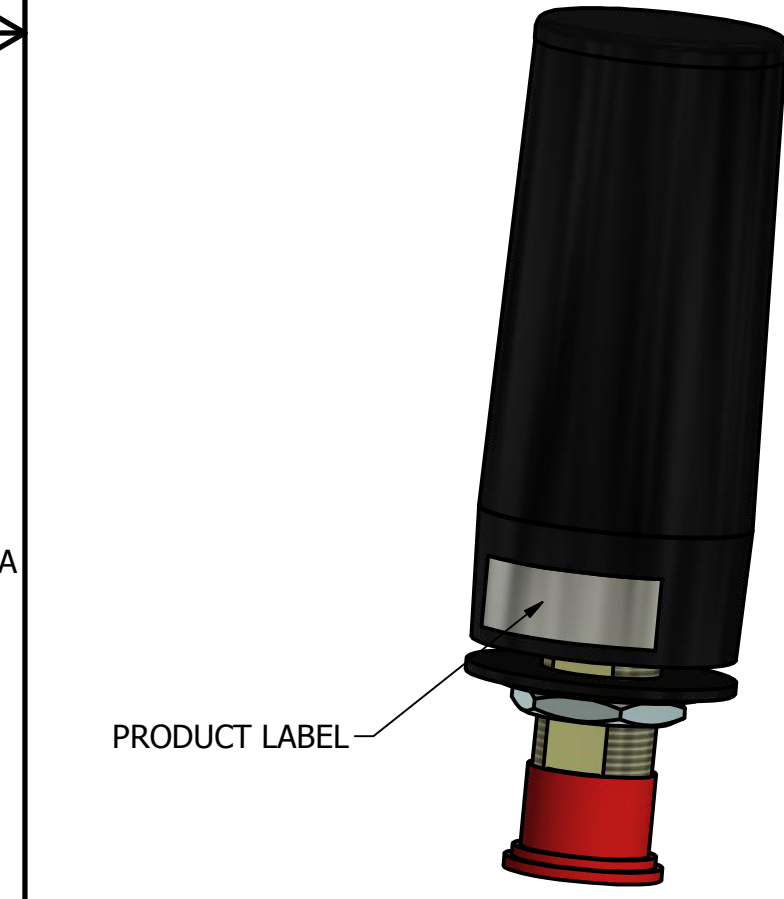
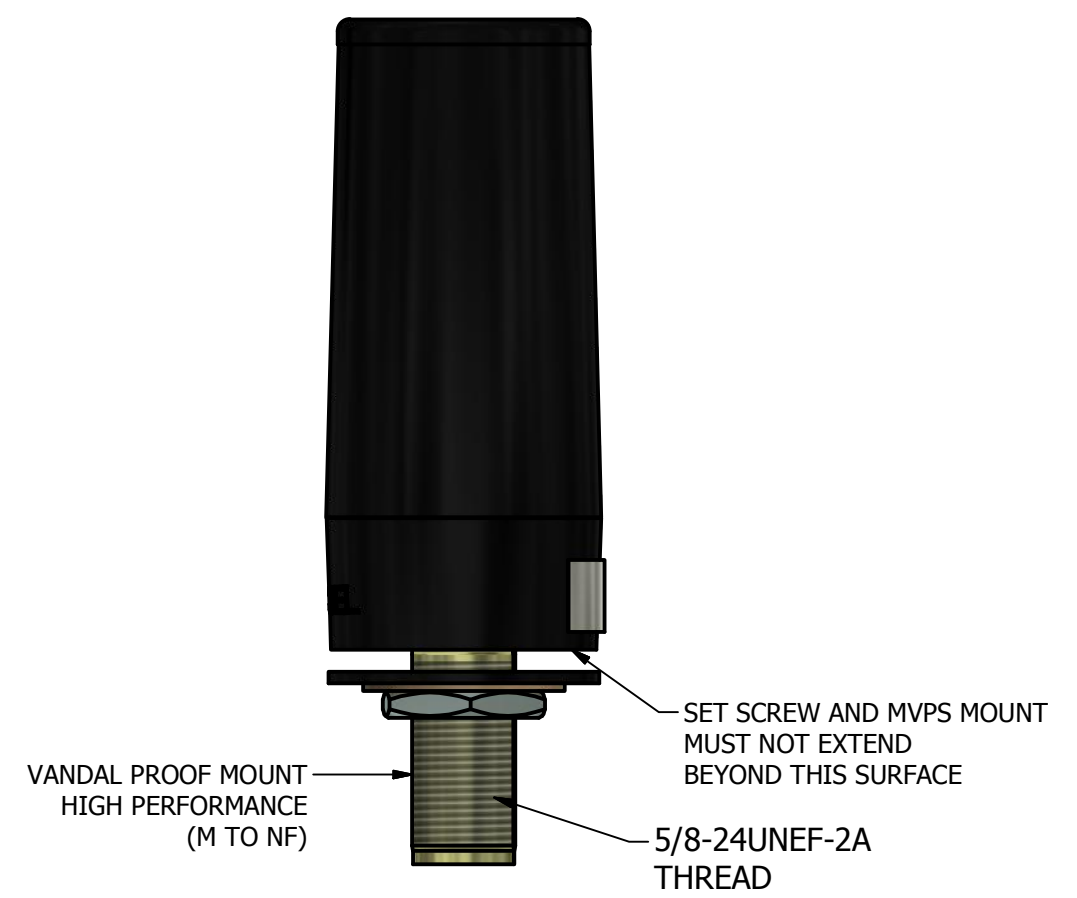
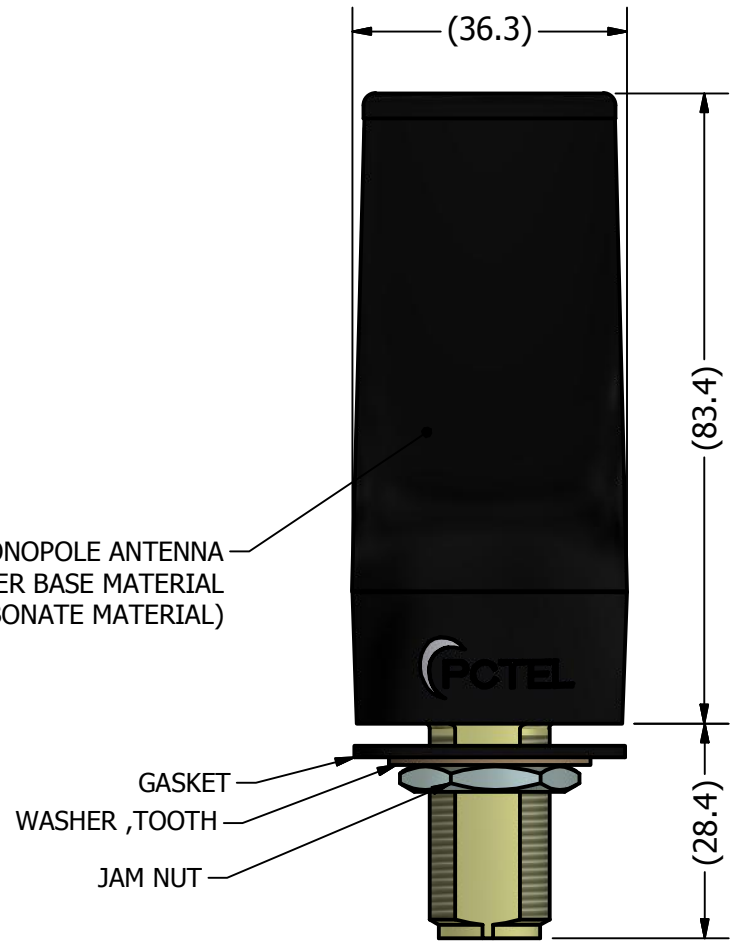
1

REVISION HISTORY			
REV	DESCRIPTION	DATE	APPROVED
A	release for production	2/jun/20	ZYL

NOTES: UNLESS OTHERWISE SPECIFIED

1. INTERPRET DRAWING PER ANSI/ASME Y14.5
2. ALL MATERIALS SHALL BE ROHS COMPLIANT.
3. PARTS SHALL BE PACKAGED TO PREVENT DAMAGE IN SHIPMENT AND HANDLING.
4. AN [X] DIM IDENTIFIES A KEY CHARACTERISTIC AND MAY REQUIRE Cpk STUDY AS OUTLINED IN PCTEL CQR. A COMPLETE 1ST ARTICLE LAYOUT SHALL BE SUBMITTED WITH INITIAL ORDER. A (REF) DIMENSION IS FOR INFORMATION PURPOSES ONLY AND NO TOLERANCE IS IMPLIED.
5. SUPPLIER SHALL REVIEW AND COMPLETE AND SIGN SUPPLIER INPUT/ PRINT ACCEPTANCE BLOCK.
6. ELECTRICAL SPECIFICATIONS.
 1. FREQUENCY RANGE:
 - 618~960MHz ; VSWR<2.5;
 - 1427~1518MHz ; VSWR<3;
 - 1710~2170MHz: VSWR<3.5;
 - 2300~2700MHz: VSWR<2.5;
 - 3300~4200MHz; VSWR<3;
 - 4400~5985MHz: VSWR<3
 2. NOMINAL IMPEDANCE: 50 Ohms

MONOPOLE ANTENNA
 (INTERNAL COMPONENTS: COPPER BASE MATERIAL
 RADOME: POLYESTER + POLYCARBONATE MATERIAL)



SUPPLIER PRINT ACCEPTANCE: <input type="checkbox"/> Accept drawing/specification: No changes needed: <input type="checkbox"/> This part is RoHS compliant <input type="checkbox"/> This part is REACH compliant <input type="checkbox"/> Accept drawing/specification. Notes/Mark-ups added <input type="checkbox"/> Cannot accept drawing/spec. Notes/Mark-ups added Supplier Projected Outgoing Quality: SIGMA LEVEL : _____ or PPM: _____ Signature _____ Date: _____		UNLESS OTHERWISE SPECIFIED DIMENSIONS ARE IN MILLIMETERS FOR TOLERANCES NOT SPECIFIED USE: [X mm ± 3 mm] [X.X mm ± .3 mm] [X.XX mm ± .13 mm] ANGULAR ± 1° THIRD ANGLE PROJECTION 		DRAWN DATE ylz 2019.11.5 CHECKED DATE chungjing li 2019.11.5 MATERIAL: SEE COMPONENT PRINTS FINISH: SEE COMPONENT PRINTS		PCTEL, INC. 471 BRIGHTON DRIVE BLOOMINGDALE, IL 60108 PH. 630-372-6800 FAX. 630-372-8077	
				DESCRIPTION		BMLPV 618-5985MHZ	
				DRAWING NO.		ODD_BMLPV5000-VP	
		SIZE		SCALE		SHEET	
		B		1:1		1 OF 1	

4

3

2

1