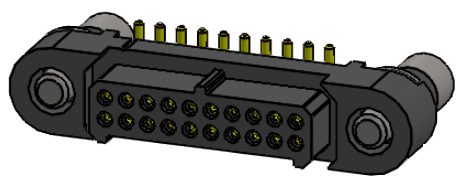
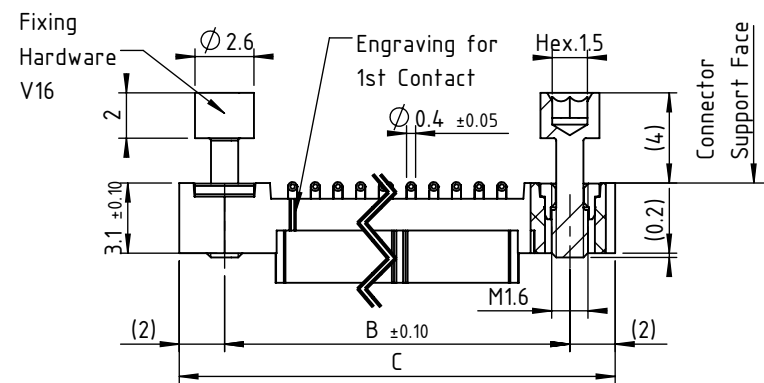
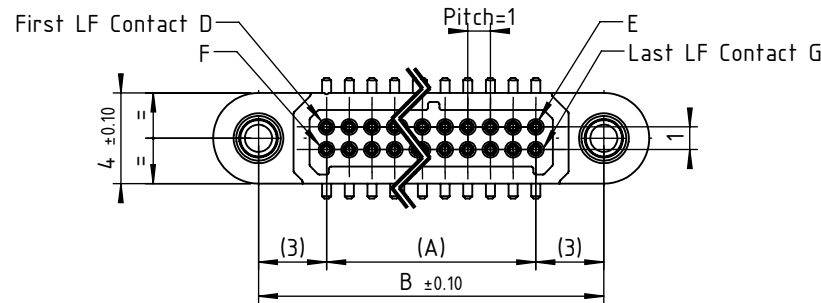
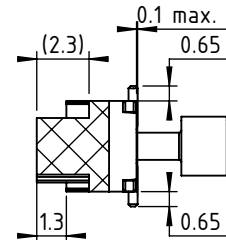


D

C

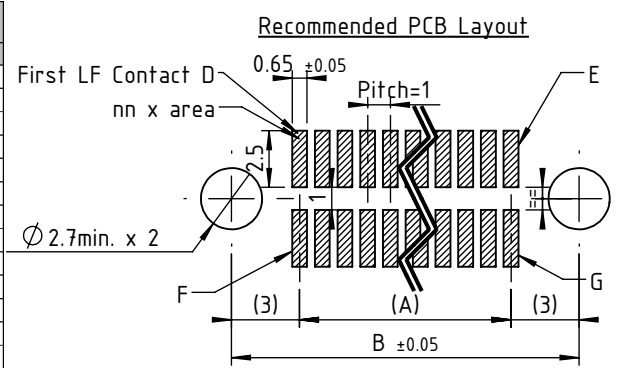
B

A



3D View

No. Of Contacts	Distance Between axes		Length in mm	LF Contact Reference			
	A	B		D	E	F	G
4	1	7	11	1	2	3	4
6 ♦	2	8	12	1	3	4	6
8	3	9	13	1	4	5	8
10 ♦	4	10	14	1	5	6	10
12	5	11	15	1	6	7	12
14	6	12	16	1	7	8	14
16	7	13	17	1	8	9	16
18	8	14	18	1	9	10	18
20 ♦	9	15	19	1	10	11	20
22	10	16	20	1	11	12	22
24	11	17	21	1	12	13	24
26	12	18	22	1	13	14	26
28	13	19	23	1	14	15	28
30	14	20	24	1	15	16	30
32	15	21	25	1	16	17	32
34 ♦	16	22	26	1	17	18	34
36	17	23	27	1	18	19	36
38	18	24	28	1	19	20	38
40	19	25	29	1	20	21	40
42	20	26	30	1	21	22	42
44	21	27	31	1	22	23	44
46	22	28	32	1	23	24	46
48	23	29	33	1	24	25	48
50 ♦	24	30	34	1	25	26	50



- NOTE:
1. Tape and Reel packaging
  2. ♦ Configurations are available in stock
  3. "Feel free to ask for technical support"

### Product Specifications

Material	
Insulator	Special LCP (Liquid Crystal Polymer thermoplastic) UL 94-V0
LF Contacts	Male : Copper alloy / Ni + Au 0.15 to 0.4max Female : Copper zinc alloy / Ni + Au 0.15 to 0.4max
Fixing Hardware	Passivated Stainless steel 300 series
Electrical Features	
Contact current capacity	UP to 4.8A@25°C (PCB to cable 20 pins) Up to 2.5@25°C (PCB to PCB 20 pins)
Working voltage	Withstanding voltage @ seal level : 600 V RMS Voltage proof @ sea level : 1000 V RMS
Contact resistance	Contact resistance (initial) < 10 mΩ max
Insulation resistance	insulation resistance (after conditioning) > 2 Gohm
Mechanical Features	
Contact durability	1000 min operations
Contact force	Engagement (max) : 0.7 N Separation (min) : 0.06 N
Contact retention	Contact retention > 6 N
Max torque	Screw-Lok torque 16 cNm
Environmental Features	
Temperature cycling	-65°C to 200°C
Humidity severity	25 °C -65 °C / 89 % - 94 % humidity / 6 days
Vibration severity (min)	Sinusoidal vibration / 15g / 10 Hz - 2000 Hz - 10 Hz in 20 min / 4h per axe in each 3 axes (total 12h) "No electrical interruption greater than one microsecond during vibration test"
Shock severity	Peak acceleration: 100g/Normal Duration 6ms, Wave form: sawtooth

www.nicomatic.com

a	27/02/19	P.K	T.V	V.G
Ind	Date	Drawn	Checked	Approved
Item :	Connector AMM 220 Female SMT on PCB, nn LF Contacts, V16.			

This document and drawings, sketches, and schematic drawings are the property of the NICOMATIC company, and no parts thereof may be reproduced and used without the written consent of the owner. Law dated 11.03.1902

Catalogue Reference : A222TnnV16

Compliant matrix :  
Customer reference :

	General tolerance ±0.2	Scale 3:1	Page 1/1
--	------------------------	-----------	----------

D

A4