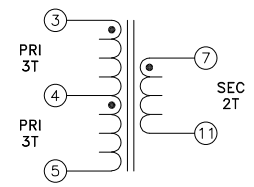
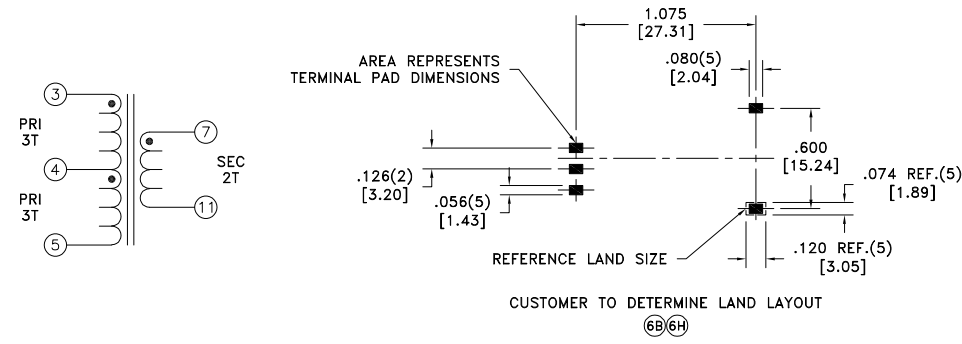
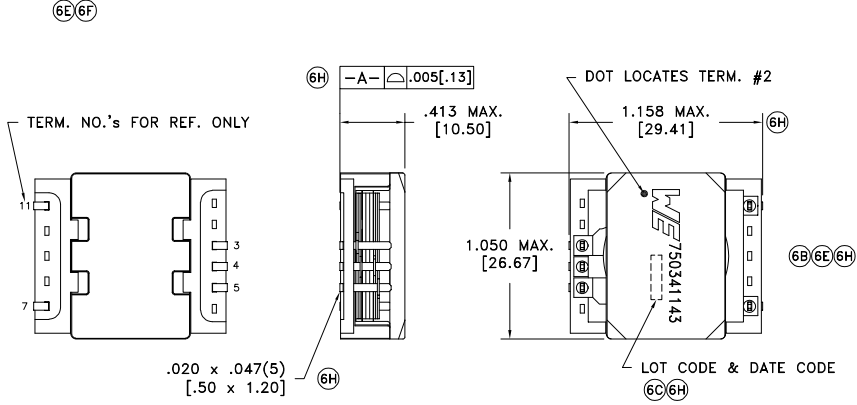


CUSTOMER TERMINAL	RoHS	LEAD(Pb)-FREE
Sn100%	Yes	Yes



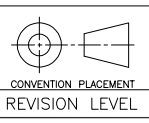
ELECTRICAL SPECIFICATIONS @ 25°C unless otherwise noted:

PARAMETER	TEST CONDITIONS	VALUE
6H D.C. RESISTANCE	3-4 @20°C	4.0 mOhms max.
6H D.C. RESISTANCE	4-5 @20°C	4.0 mOhms max.
6H D.C. RESISTANCE	7-11 @20°C	2.2 mOhms max.
6E INDUCTANCE	3-5 100kHz, 100mVAC, Ls	145.0uH min.
6B LEAKAGE INDUCTANCE	3-5 tie(7+11), 100kHz, 100mVAC, Ls	300nH max.
6E DIELECTRIC	3-7 2250VDC, 1 second	-
6H TURNS RATIO	(3-4):(7-11)	1.5:1
6B TURNS RATIO	(4-5):(7-11)	1.5:1

GENERAL SPECIFICATIONS:  
OPERATING TEMPERATURE RANGE: -40°C to +125°C including temp rise.

6G VOLTAGE-TIME: 121VuS

REV.	DATE	Packaging Specifications
6H	3/23	Method: Tape & Reel
6G	2/22	PKG-0793
6F	12/19	www.we-online.com/midcom
6E	4/14	SEE REVISION SHEET FOR REVISION LEVEL



Tolerances unless otherwise specified:  
Angles: ±1°  
Decimals: ±.005 [.13]  
Fractions: ±1/64 Footprint: ±.005 [.13]  
This drawing is dual dimensioned. Dimensions in brackets are in millimeters.

DRAWING TITLE  
**TRANSFORMER**  
eiSos p/n: 750341143



PART NO.  
**750341143**  
SPECIFICATION SHEET 1 OF 1