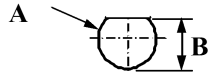
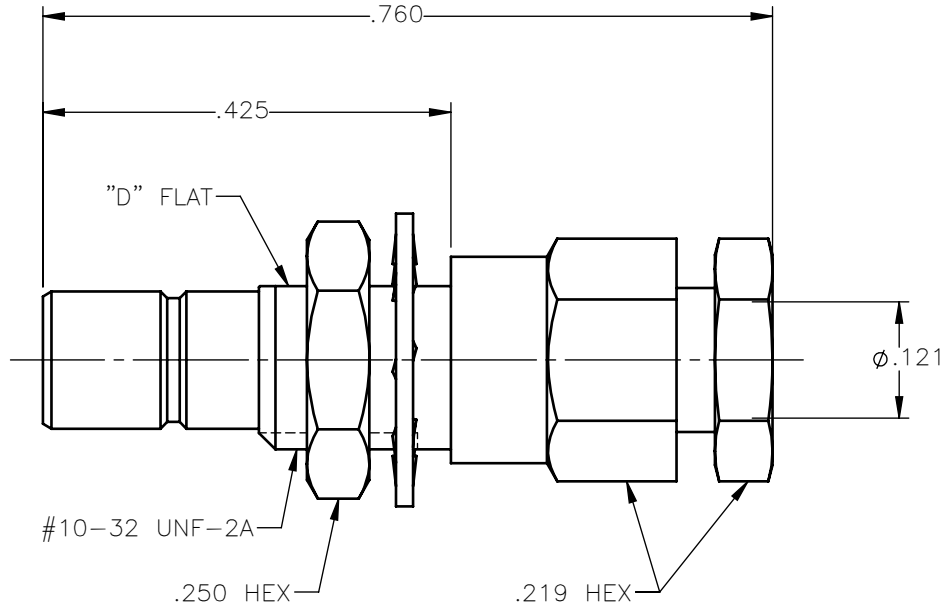


PANEL CUT OUT



| inches | | |
|----------|-------------|-------------|
| | Maxi | mini |
| A | .198 | .192 |
| B | .183 | .177 |

| REVISIONS | | | |
|-----------|-----------------|----------|----------|
| REV. | DESCRIPTION | DATE | APPROVED |
| A | INITIAL RELEASE | 03/06/18 | C.E. |





NOTES: M39012/70-0004

MATERIALS:

1. INSULATORS = VIRGIN WHITE TEFLON PER ASTM D1710, GRADE 1, TYPE I, CLASS "B".
2. LOCKWASHER = PHOSPHOR BRONZE PER ASTM B139, COPPER ALLOY C53400, TEMPER H04.
3. ALL OTHER METAL PARTS = BRASS PER ASTM B16, ALLOY C36000, TEMPER H02.

FINISHES:

1. CONTACT = GOLD PLATE PER ASTM B488-11, TYPE II, 50 μ in MIN, GRADE C, OVER 100 TO 200 μ in STRESS FREE SULFAMATE NICKEL PER AMS-QQ-N-290.
2. ALL OTHER METAL PARTS = GOLD PLATE PER ASTM B488-11, TYPE II, 30 μ in MIN, GRADE C OVER 100 TO 200 μ in COPPER STRIKE PER AMS 2418.

| | | | | |
|---|-----------------------|----------------|---|---|
| UNLESS OTHERWISE SPECIFIED DIMENSIONS ARE IN INCHES TOLERANCES ON | DWN: C.E. | DATE: 03/06/18 |  Property of Radiall This document cannot be reproduced or communicated to a third party without prior written permission of RADIALL. |  |
| | CHKD: D.N. | DATE: 03/06/18 | | |
| DECIMAL | ANGLE | APVD: J.M. | SMB STRAIGHT MALE JACK BULKHEAD MOUNT SOLDER CLAMP TYPE FOR RG-405 AND SIMILAR CABLES | |
| REFERENCE: | MATERIALS & FINISHES: | SIZE: A | FSCM NO.: 19505 | DWG NO.: 2003-1541-010 |
| ORIGINATED: C.E. DATE: 03/06/18 | SEE NOTES | SCALE: 5:1 | THIRD ANGLE PROJECTION | REV: A |
| | | | SHEET 1 OF 1 | |

2003-1541-010