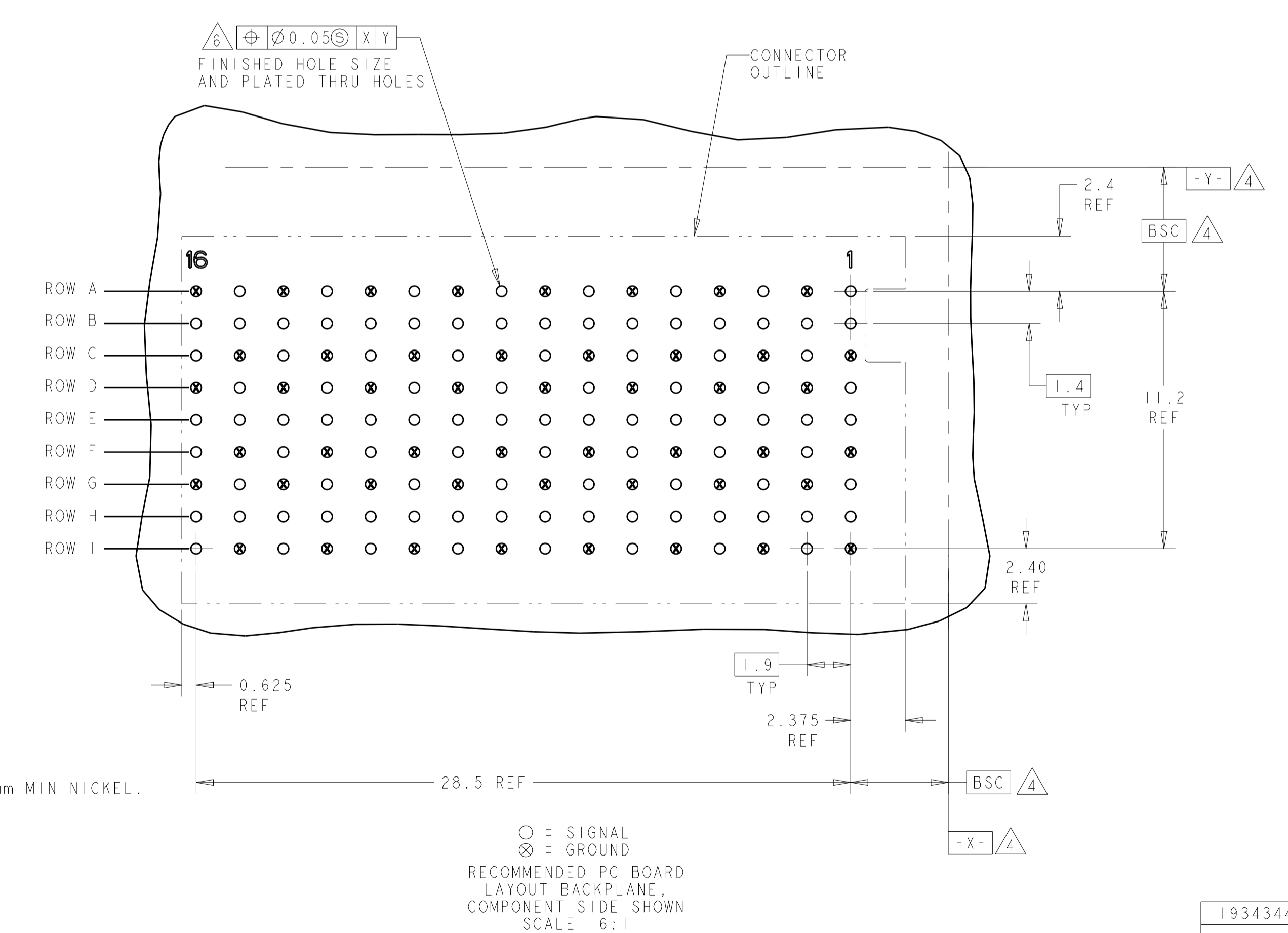
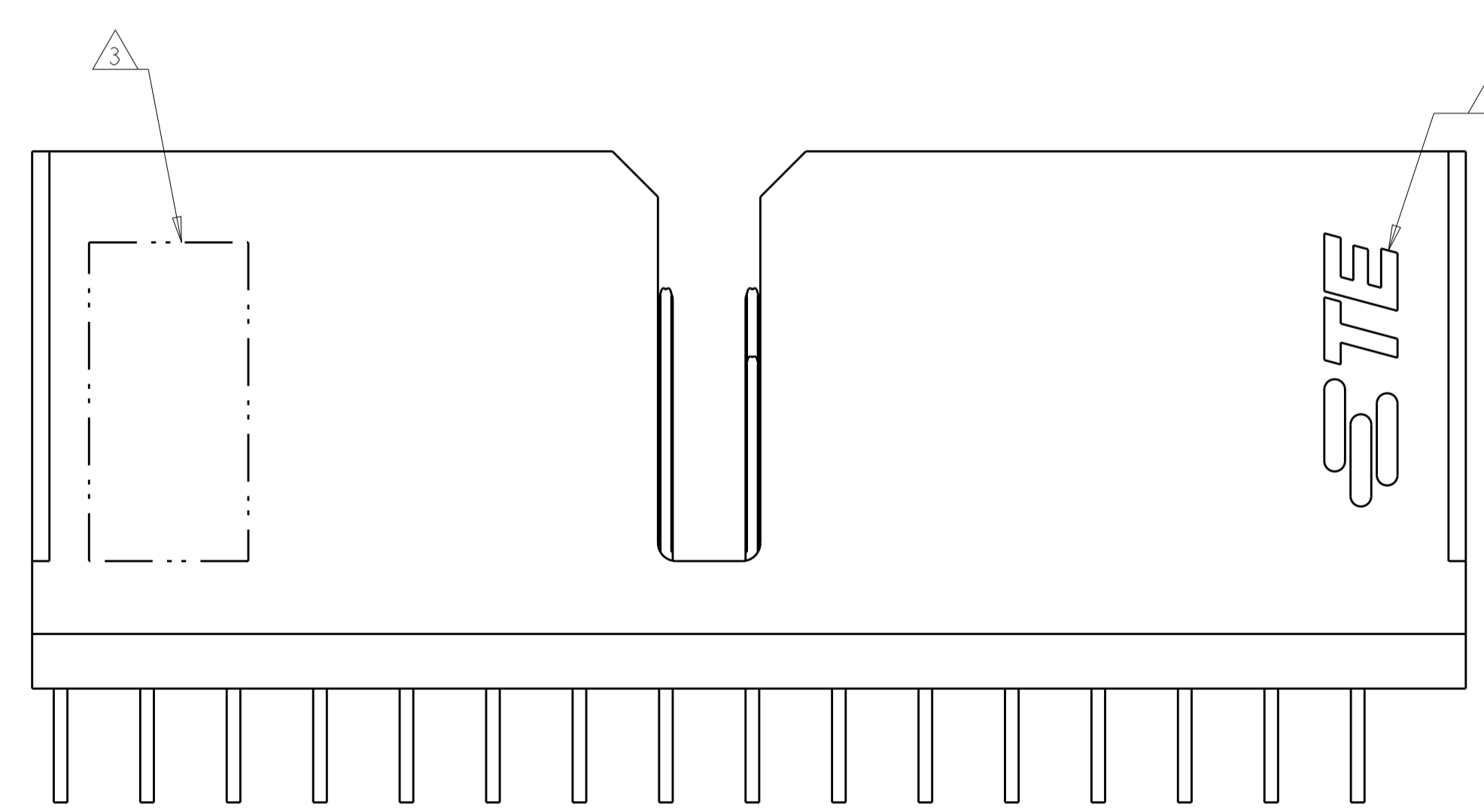
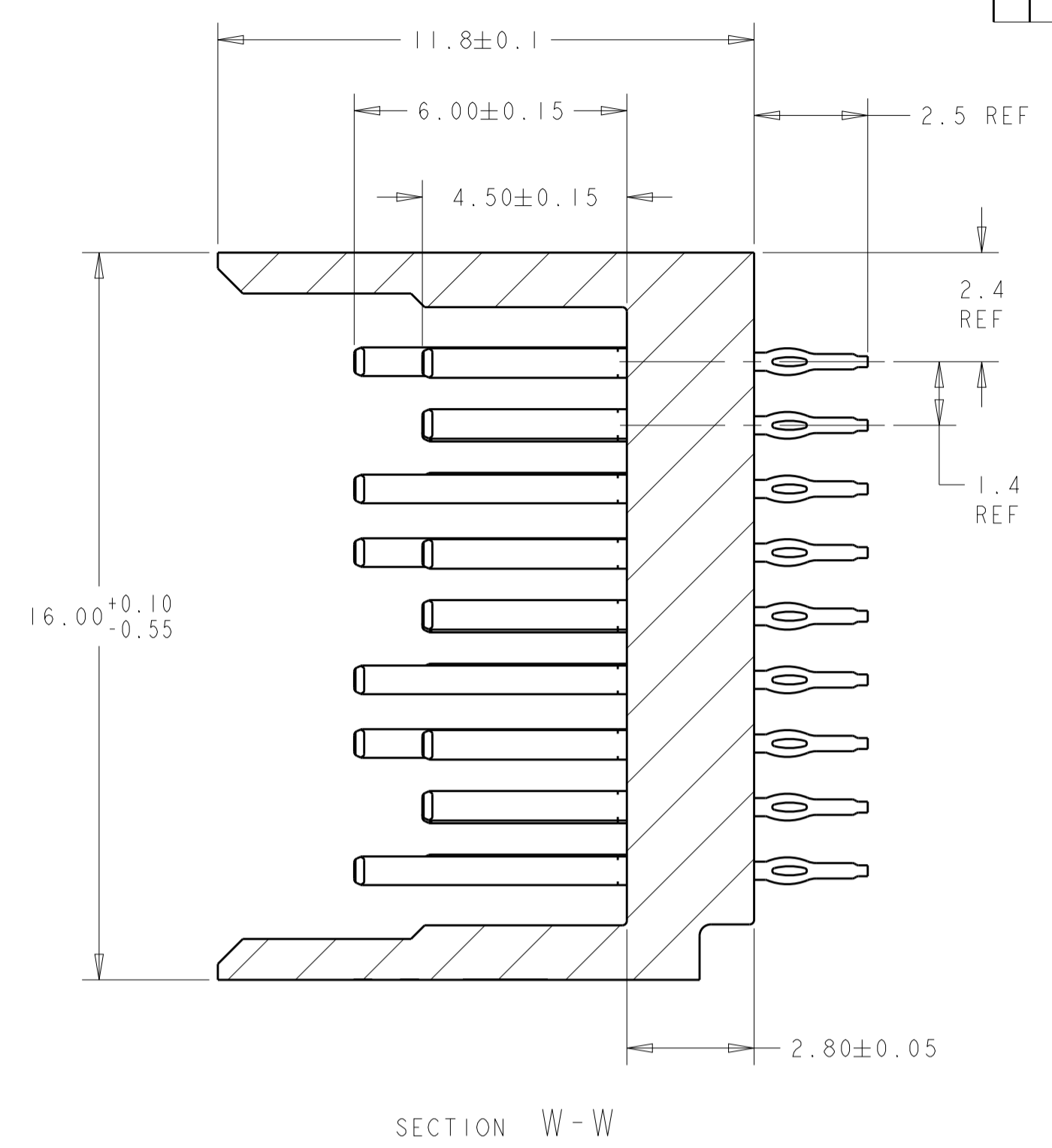
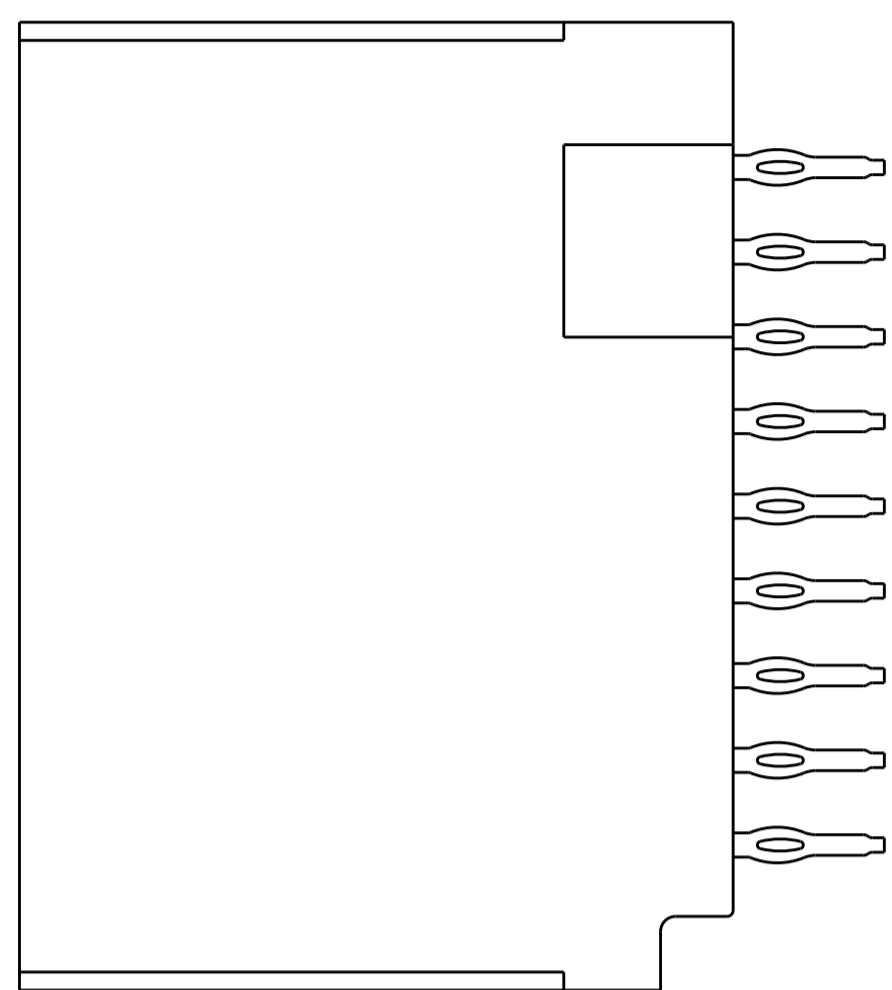
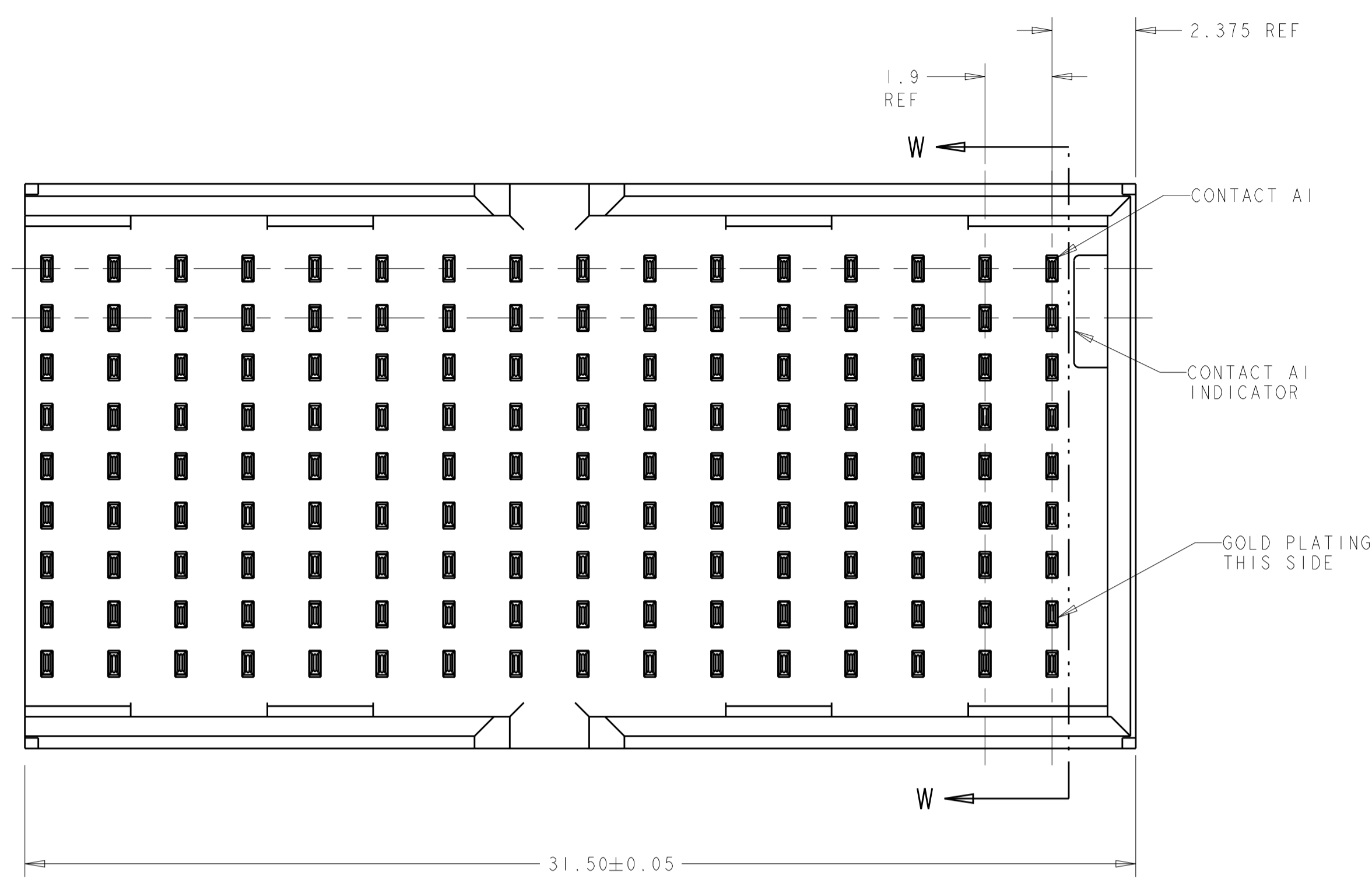


LOC		DIST		REVISIONS			
P	LTN	DESCRIPTION	DATE	DWN	APVD		
F		REVISED PER ECO-13-010626	07AUG2013	KH	RP		
G		REVISED PER ECO-19-009248	05JUL2019	AP	SY		



- △ MATERIAL:
CONTACT - PHOS BRONZE
HOUSING - LCP, UL 94V-0, COLOR - BLACK
- △ FINISH:
CONTACT AREA FINISH CONFORMS TO THE REQUIREMENTS OF TE PRODUCT SPECIFICATION 108-2303; BASED ON TELCORDIA GR-1217-CORE FOR SYSTEM QUALITY LEVEL III, APPLICATIONS IN CONTROLLED ENVIRONMENTS (CENTRAL OFFICE).
COMPLIANT PIN AREA- 0.5µm MIN MATTE TIN OVER 1.27µm MIN NICKEL.
- △ CONNECTOR MARKED WITH PART NUMBER, DATE CODE AND STANDARD IN APPROXIMATE AREA SHOWN
- △ DATUMS AND BASIC DIMENSIONS ESTABLISHED BY CUSTOMER.
- 5. CONTACT AREA LUBRICATED WITH BELLCORE APPROVED LUBRICANT. TECHNICAL REFERENCE GR-1217-CORE, ISSUE 1, NOVEMBER 1995.
- △ REFERENCE APPLICATION SPEC 114-13202 FOR RECOMMENDED PLATED THRU HOLE DIAMETER AND PLATING THICKNESSES.
- △ SHOWN LOGO OR OTHER TE OWNED LOGOS IN APPROXIMATE AREA.

1934344-1
PART NUMBER

THIS DRAWING IS A CONTROLLED DOCUMENT.		DWN S. MAGARO 15JUN2007	TE Connectivity
DIMENSIONS:		CHK W. DAVIS 15JUN2007	
mm	0 PLC ±	APVD W. DAVIS 15JUN2007	NAME
	1 PLC ±	PRODUCT SPEC	HEADER ASSEMBLY, LEFT WALL, 3 PAIR, 16 COLUMN
	2 PLC ±	APPLICATION SPEC	TinMan
	3 PLC ±	WEIGHT	SIZE CAGE CODE DRAWING NO
	4 PLC ±	Customer Drawing	A100779C=1934344
	ANGLES	SCALE	8:1
	FINISH	SHEET	1 OF 1
		REV	G