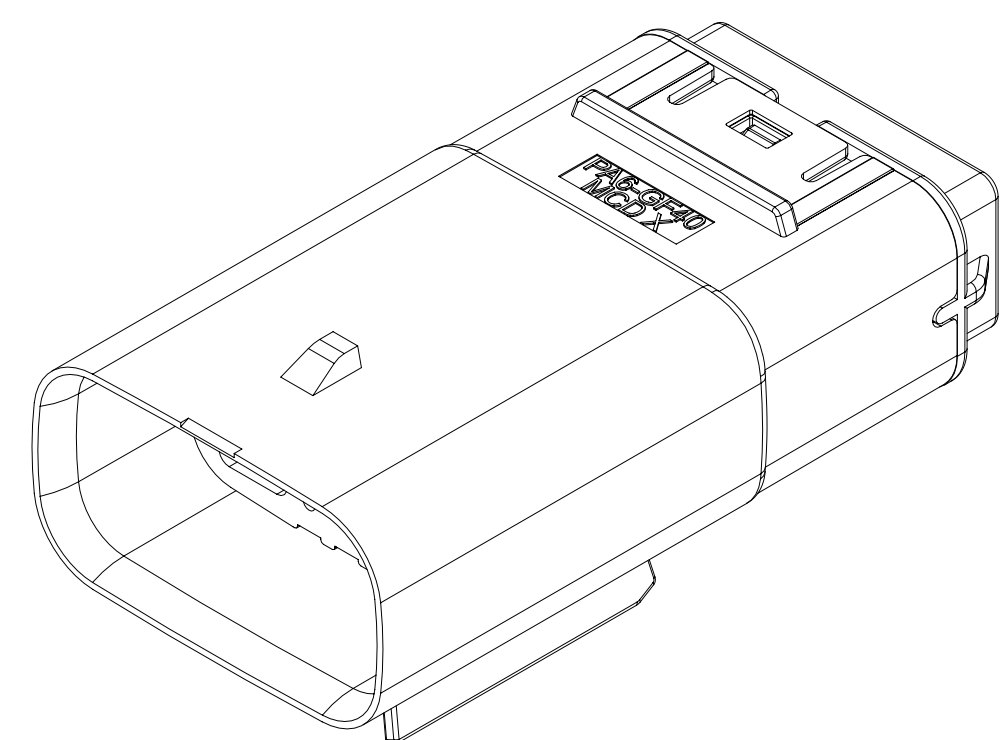


TABLE OF CONTENTS	
SHEET NO.	SHEET DESCRIPTION
1	NOTES
2	CONFIGURATIONS
3	KEY CONFIGURATIONS
4	BLADE CONNECTOR ASSEMBLY
5	SYSTEM PACKAGING
6	12W HYBRID CONNECTOR BOM

DESCRIPTION	PACKAGING DRAWING NO.	MATING INTERFACE/CONNECTOR DRAWINGS	
		INTERFACE DEFINITION	MOLEX INLINE
12W HYBRID	RPK-1601129000	SD-1601110000	SD-1601110000



12W HYBRID

NOTES: VALID UNLESS OTHERWISE SPECIFIED

1. GENERAL:

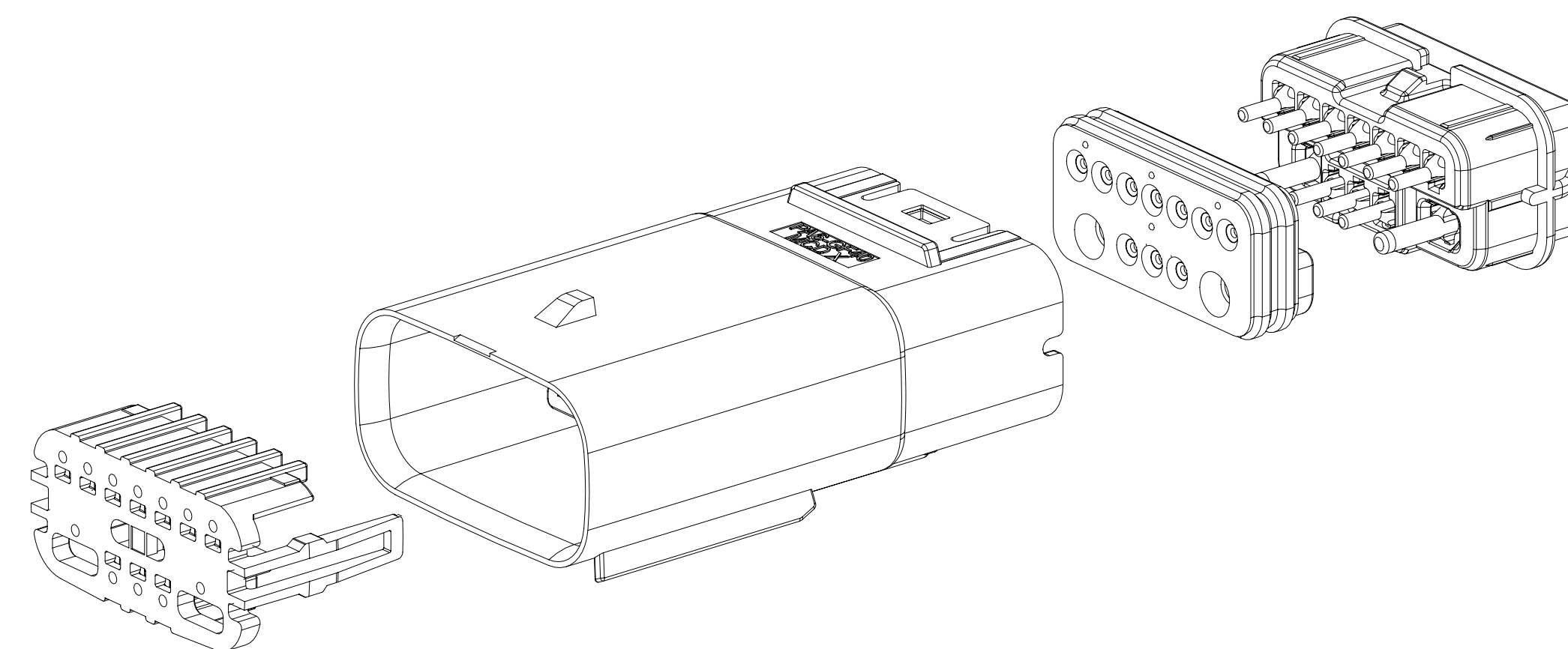
- 1.1 APPLICATION SPECIFICATION SEE: 1601110001-AS
  - CONTAINS: PRODUCT INTRODUCTION, PRODUCT SUMMARY, CONNECTOR ASSEMBLY, PACKAGING INFORMATION, CONNECTOR MATING, SERVICE INSTRUCTIONS, ELECTRICAL CONTINUITY CHECKING, CRIMPING, AND TROUBLE SHOOTING.
  - DESIGNED TO MATE WITH DEVICE OR CONNECTOR AS SPECIFIED IN THE MATING INTERFACE/CONNECTOR DRAWINGS CHART.
  - \*DENOTES DRAWINGS THAT CAN BE ACCESSED AT [<http://ewcap.uscarteams.org/>]
  - ASSEMBLY SHIPPED WITH THE FOLLOWING PARTS IN PRE-LOCK POSITION (PLR, CPA, ISL, LEVEL. SEE PRE-LOCK VIEW ON SHEET X).
- 1.2 PRODUCT SPECIFICATION SEE: 1601110001-PS
  - CONTAINS: SCOPE, PRODUCT DESCRIPTION, INTEGRAL COMPONENTS AND ACCESSORIES, APPLICABLE DOCUMENTS AND SPECIFICATIONS, RATINGS, PERFORMANCE, PACKAGING, GAUGES AND FIXTURES, AND OTHER INFORMATION.
- 1.3 PACKAGING SPECIFICATION PER MOLEX DRAWING: SEE TABLE
- 1.4 PARTS MUST BE IN COMPLIANCE TO MOLEX CHEMICAL SUBSTANCES FOR PRODUCTS AND PACKAGING SPECIFICATION: QEHS-699000-300
- 1.5 DATA MUST BE SUBMITTED UNDER THE MOLEX PART NUMBER TO IMDS (COMPANY ID#13255)

2. DESIGN - MATERIALS:

- 2.1 SEE BOM TABLE

3. DESIGN - GEOMETRY:

- 3.1 THE 3-D CAD DATA IS BASIC (WITHOUT TOLERANCE) AND MUST BE TAKEN FROM THE DATA FILE AT ITS LATEST REVISION.
  - 3.2 THE 3-D CAD DATA IS MASTER FOR THIS PART AND IS TO BE USED TO ESTABLISH DIMENSIONAL INFORMATION NOT SHOWN ON THIS DRAWING. ANY DIMENSIONS UNDERLINED INDICATE A CONFLICT WITH THE MODEL.
  - 3.3 PRODUCT DESIGN MODEL NUMBER(S): SEE BOM TABLE
  - 3.4 GEOMETRIC DIMENSIONS AND TOLERANCES PER ASME Y14.5M-2009
  - 3.5 EDGES OF UNDEFINED SHAPE PER ISO 13715
  - 3.6 CORNERS SHOWN AS SHARP TO BE R 0.2 MAX
  - 3.7 LETTERING SHALL BE 0.15 MAX RAISED IN 0.25 MAX RECESS PAD. THIS INCLUDES RECYCLING CODE, CAVITY ID, VENDOR IDENTIFICATION, AND CUSTOMER MATERIAL NUMBER.
  - 3.8 VISUAL DEFECTS SHALL MEET COSMETIC STANDARD PS-45499-002 (CLASS B).
  - 3.7 LASER MARKING
    - 1. PART NUMBER
    - 2. DAY OF THE YEAR
    - 3. SHIFT
    - 4. YEAR
- FOR ADDITIONAL INFORMATION SEE SECTION 5 UNDER PROCEDURES IN ES-34735-008.



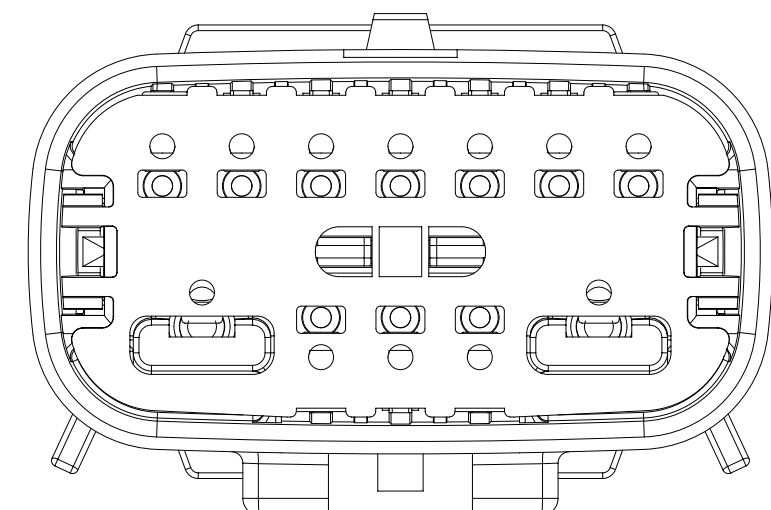
D5	ADD NEW PN 160112-6045
D4	ADD NEW PN 160112-6044
D3	ADD NEW PN 160112-6043
D2	ADD NEW PN 160112-6042
D1	ADD NEW PN 160112-6041
D	ADD NEW PN 160112-6039 AND 160112-6040
C2	UPDATED NOTES
C1	CHANGE DOCUMENT TYPE FROM RSD TO SD
C	ADD NEW PN 160112-6030 THRU 6038
B	UPDATED INFORMATION TO PRODUCTION LEVEL
A2	ADDED NEW PN. 160112-6023 160112-6024 160112-6025 160112-6026 160112-6027 160112-6028 160112-6029
A1	ADDED NEW PN. 160112-6022

INSPECTION NUMBER LOG		INITIAL RELEASE
LAST NUMBER: 5	REV	REV DESCRIPTION
	A	

FUNCTIONAL SYMBOLS FA = 0 FC = 0 FP = 0	THIS DRAWING CONTAINS INFORMATION THAT IS PROPRIETARY TO MOLEX ELECTRONIC TECHNOLOGIES, LLC AND SHOULD NOT BE USED WITHOUT WRITTEN PERMISSION	CURRENT REV DESC: SEE REVISION TABLE								
	DIMENSION UNITS: mm	SCALE: 2:1	GENERAL TOLERANCES (UNLESS SPECIFIED)							
DIVISIONAL SYMBOLS	ANGULAR TOL ± °	4 PLACES ±		EC NO: 677478						
	3 PLACES ±	2 PLACES ±		DRWN: SCV 2021/09/13						
SEE NOTES	1 PLACE ±	0 PLACES ±		CHK'D: GGA 2021/09/22						
	DRAFT WHERE APPLICABLE MUST REMAIN WITHIN DIMENSIONS		THIRD ANGLE PROJECTION		APPR: GGA 2021/09/22					
INITIAL REVISION:		DRAWING		SERIES		DOCUMENT NUMBER		DOC TYPE	DOC PART	REVISION
DRWN: ADING03 2017/03/28		D-SIZE 160112		1601120000		PSD 000		D5		
APPR: JDENG02 2017/04/07		MATERIAL NUMBER		CUSTOMER		SHEET NUMBER				
		CHARTED				1 OF 6				

SHEET DESCRIPTION

CONFIGURATIONS



12W HYBRID

FUNCTIONAL SYMBOLS	THIS DRAWING CONTAINS INFORMATION THAT IS PROPRIETARY TO MOLEX ELECTRONIC TECHNOLOGIES, LLC AND SHOULD NOT BE USED WITHOUT WRITTEN PERMISSION		
	DIMENSION UNITS	SCALE	CURRENT REV DESC: SEE REVISION TABLE
$\nabla_A = 0$	mm	2:1	<p>EC NO: 677478</p> <p>DRWN: SCV 2021/09/13</p> <p>CHK'D: GGA 2021/09/22</p> <p>APPR: GGA 2021/09/22</p> <p>INITIAL REVISION:</p> <p>DRWN: ADING03 2017/03/28</p> <p>APPR: JDENG02 2017/04/07</p>
$\nabla_C = 0$	GENERAL TOLERANCES (UNLESS SPECIFIED)		
$\nabla_D = 0$	ANGULAR TOL ± °		
DIVISIONAL SYMBOLS	4 PLACES ±		PRODUCT CUSTOMER DRAWING
	3 PLACES ±		DOCUMENT NUMBER
	2 PLACES ±		1601120000
	1 PLACE ±		DOC TYPE
	0 PLACES ±		PSD
			DOC PART
			000
			REVISION
			D5
	DRAFT WHERE APPLICABLE MUST REMAIN WITHIN DIMENSIONS	THIRD ANGLE PROJECTION	MATERIAL NUMBER
			160112
			CUSTOMER
			CHARTED
		DRAWING	SHEET NUMBER
		D-SIZE	2 OF 6
		SERIES	
		160112	

**molex**

MX150 HYBRID MAT SEAL BLD CONN ASM SALES

PRODUCT CUSTOMER DRAWING

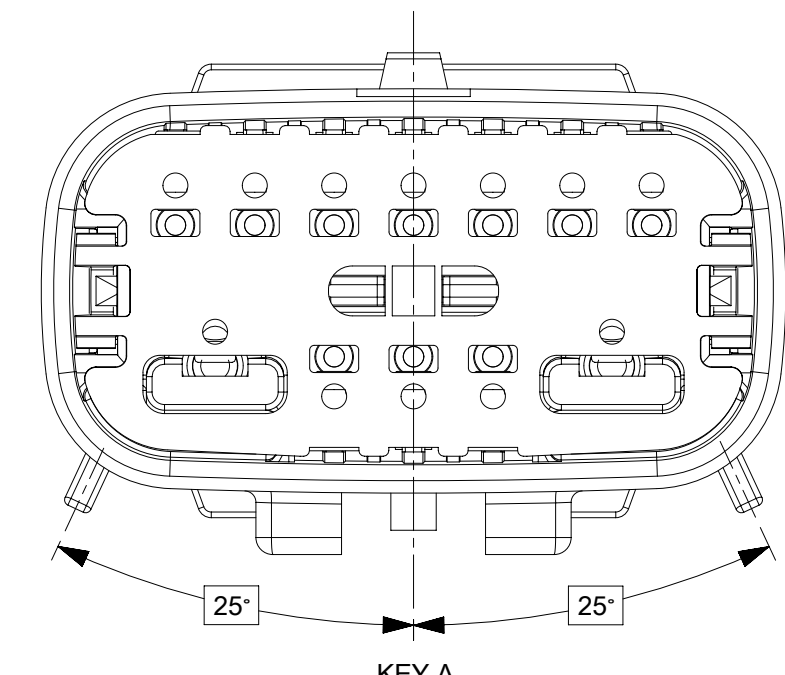
1601120000 PSD 000 D5

CHARTED 2 OF 6

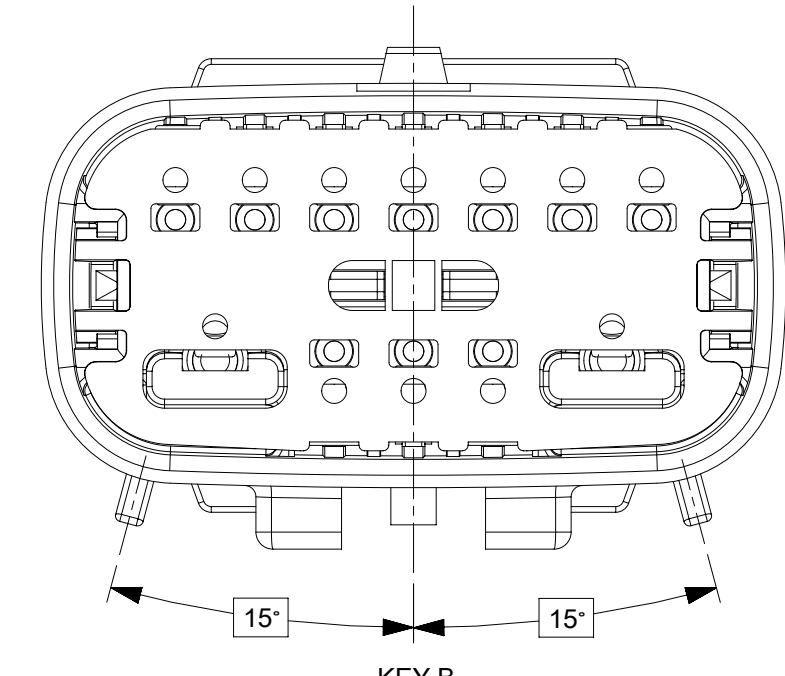
SEE NOTES

SHEET DESCRIPTION  
KEY CONFIGURATIONS

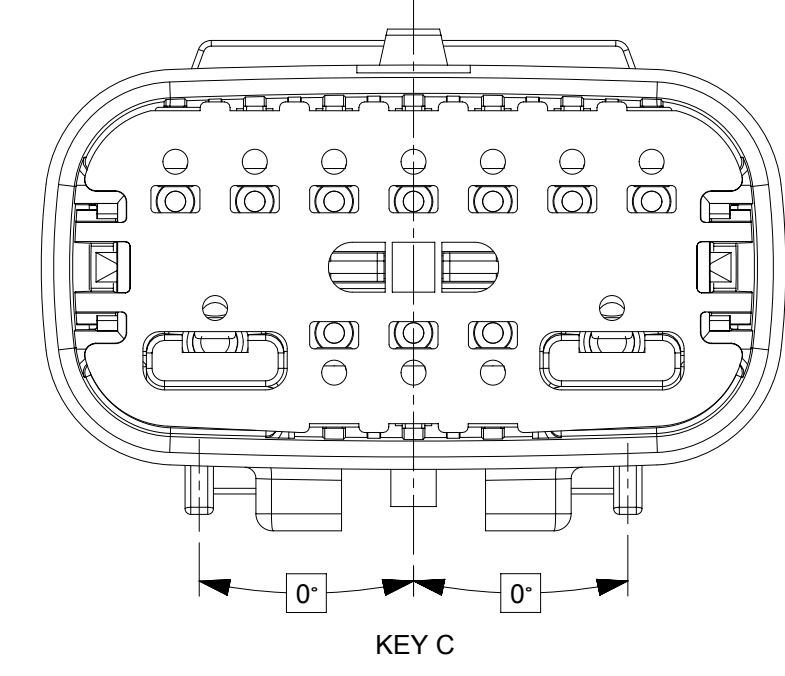
12W HYBRID



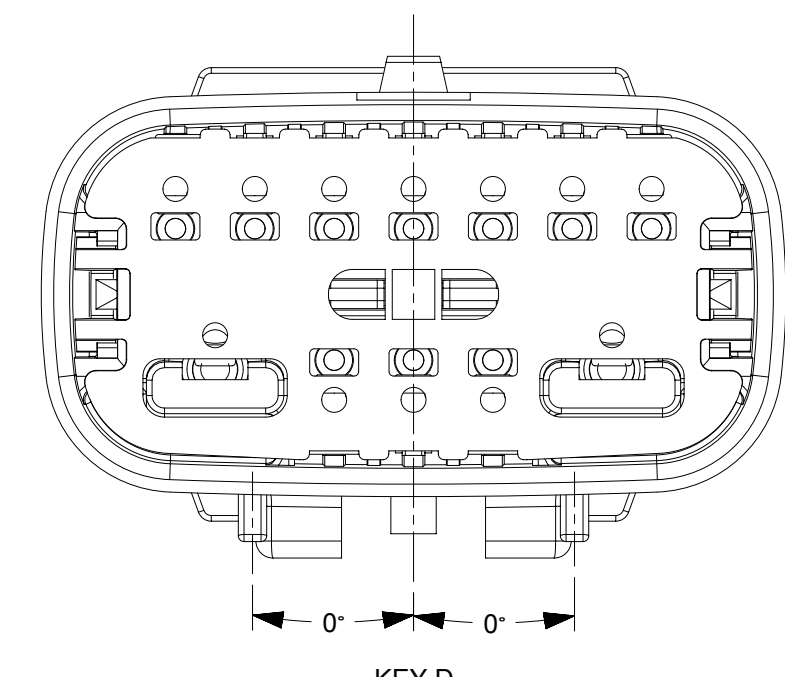
KEY A





KEY B



KEY C

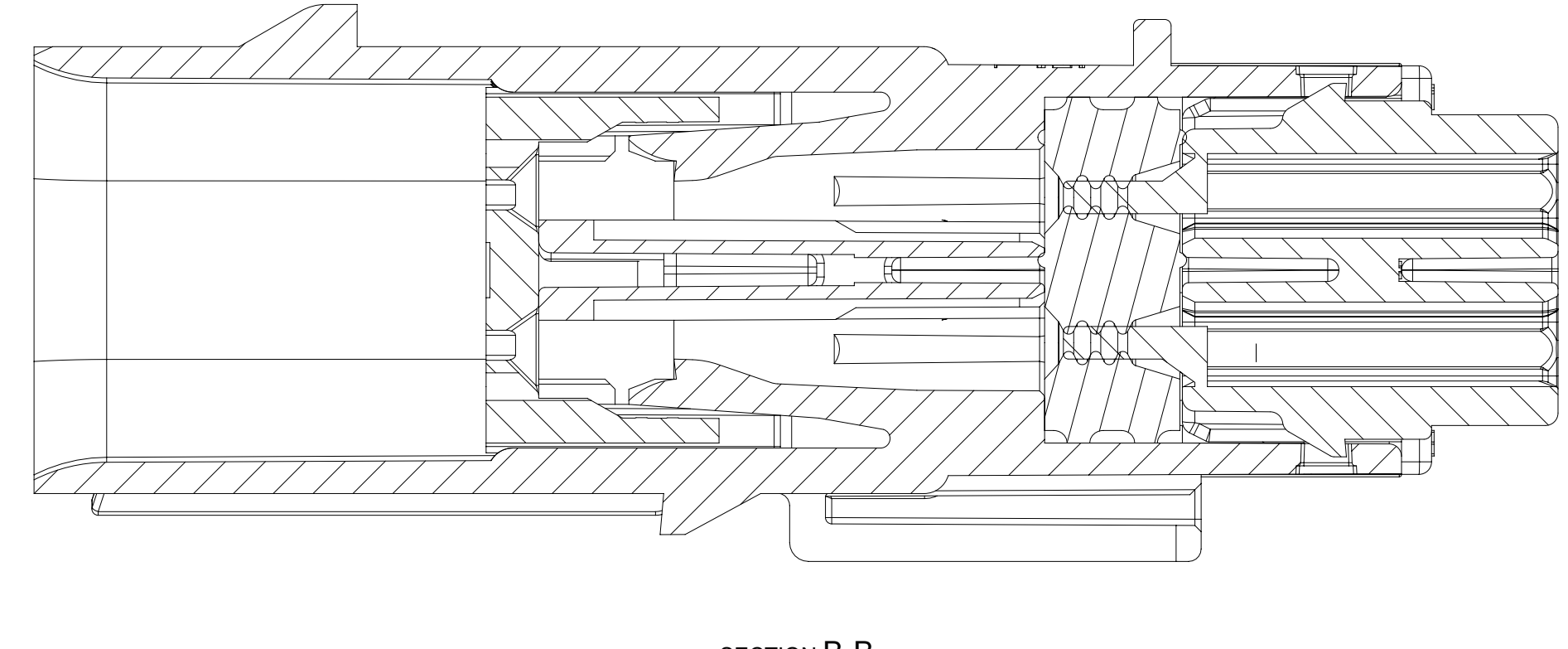
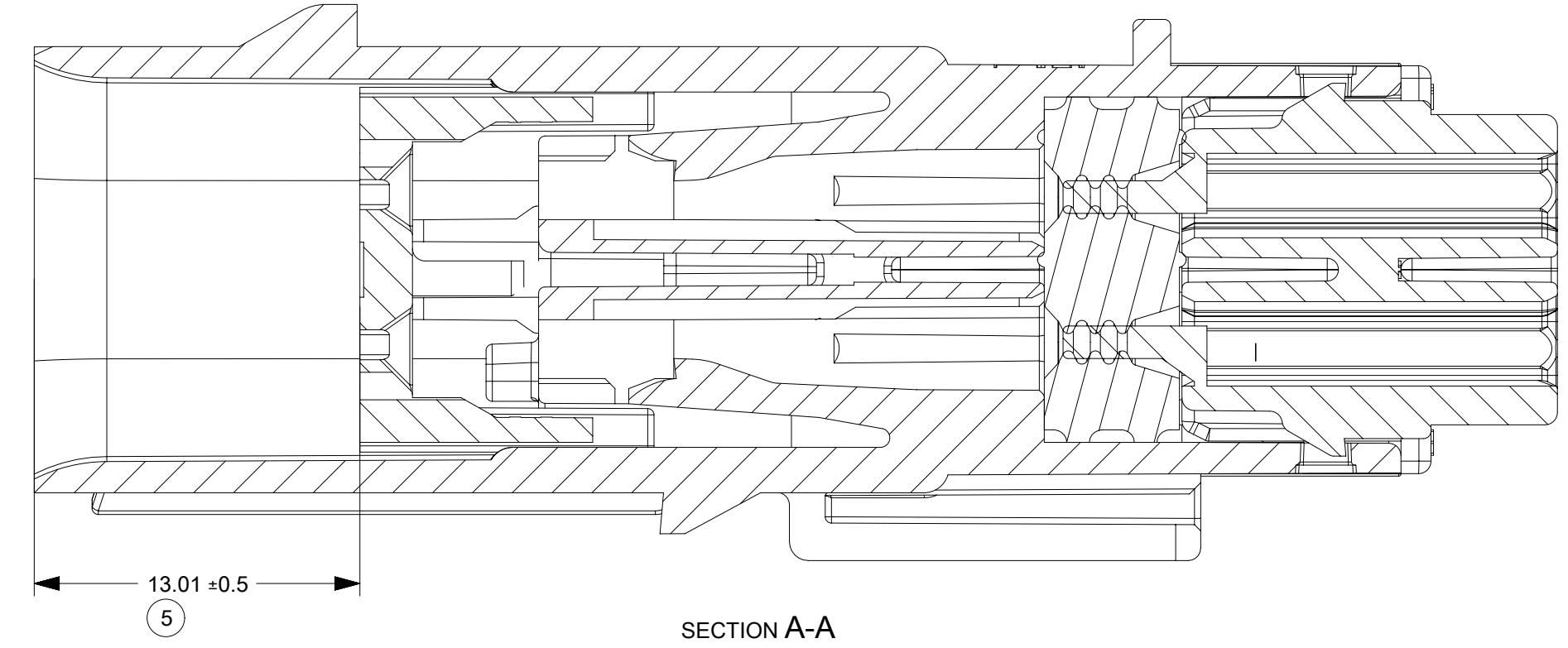
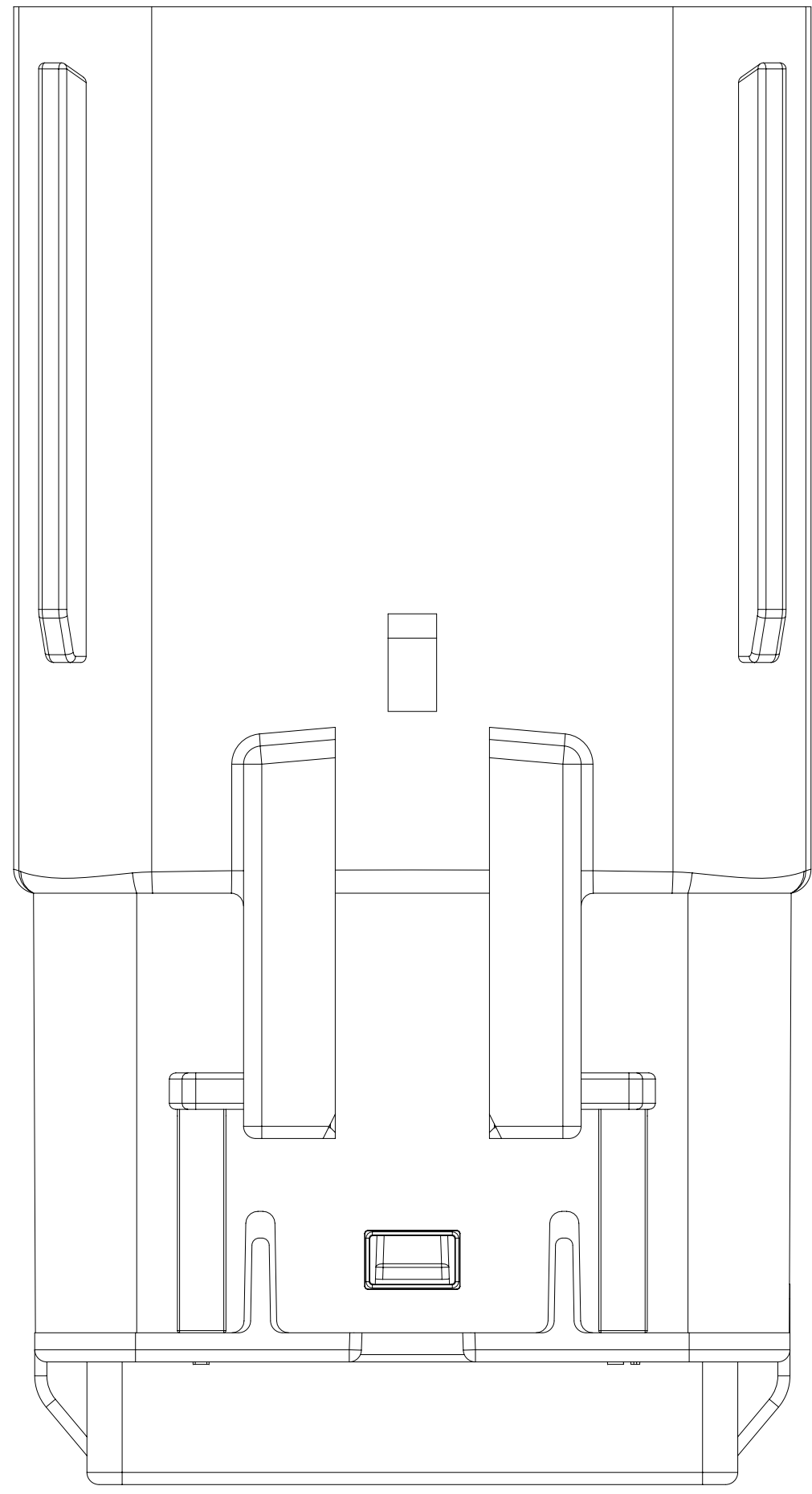
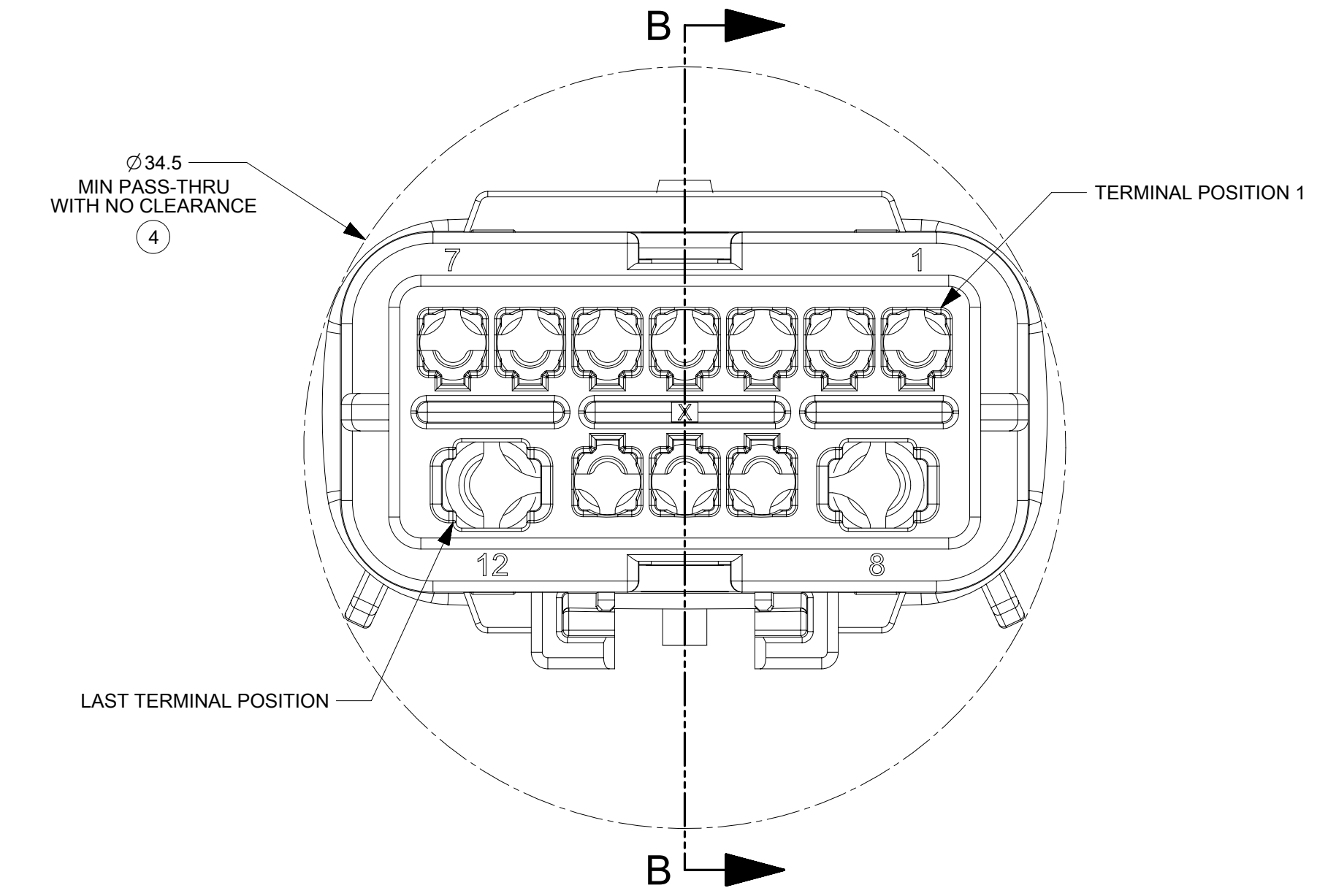
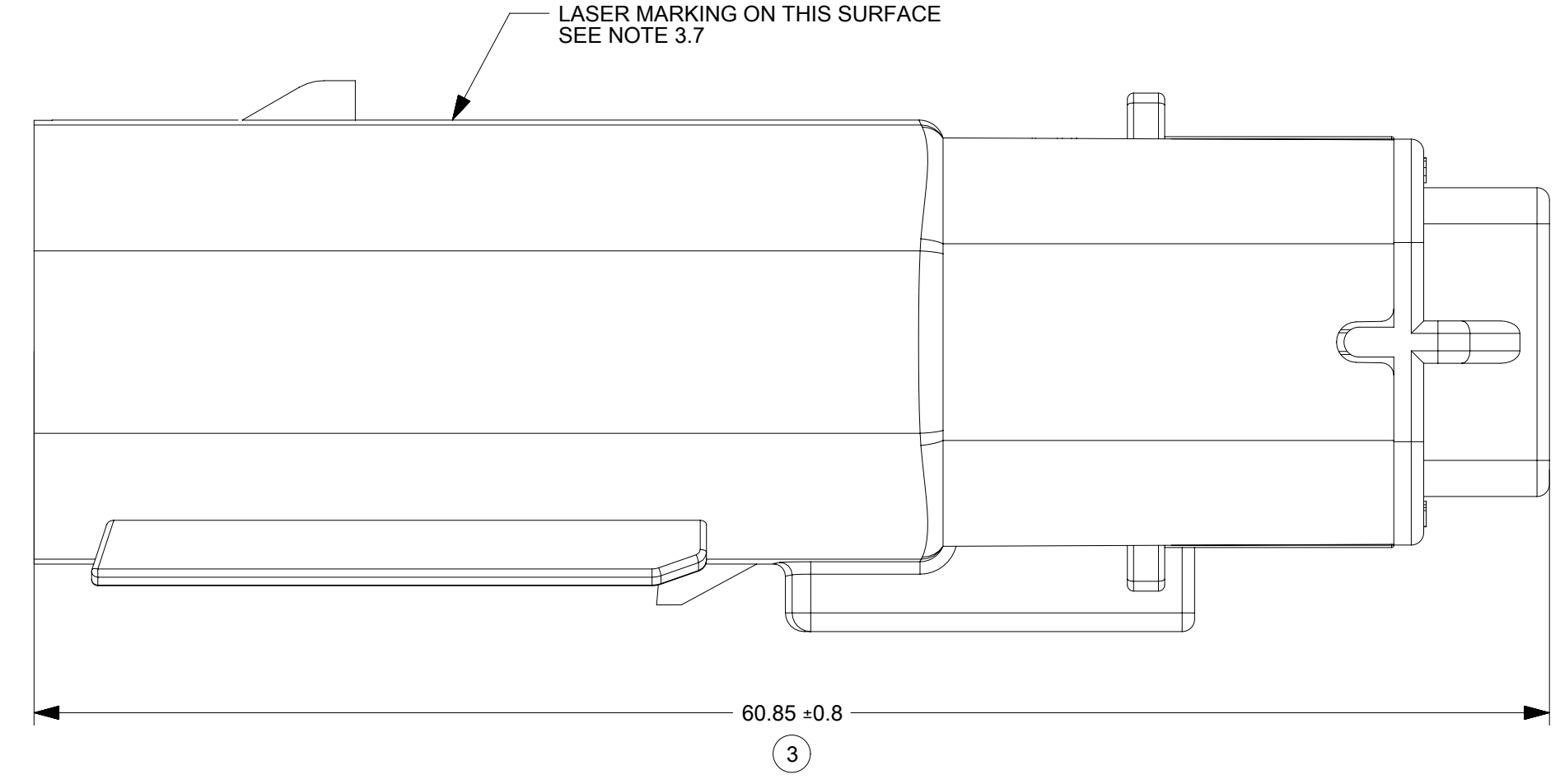
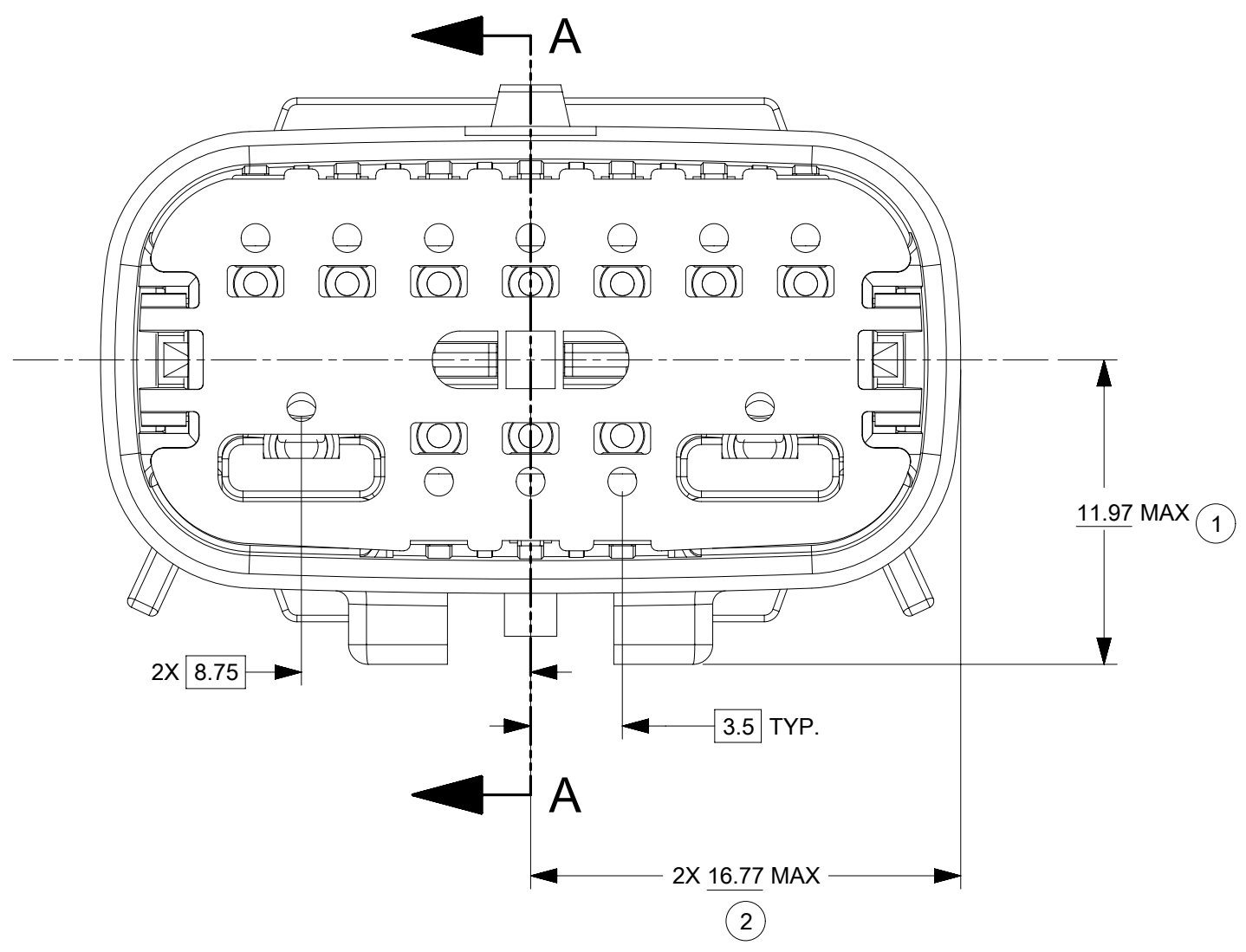


KEY D

FUNCTIONAL SYMBOLS	THIS DRAWING CONTAINS INFORMATION THAT IS PROPRIETARY TO MOLEX ELECTRONIC TECHNOLOGIES, LLC AND SHOULD NOT BE USED WITHOUT WRITTEN PERMISSION														
FA = 0	DIMENSION UNITS		SCALE	CURRENT REV DESC: SEE REVISION TABLE											
FC = 0	mm		3:1												
FD = 0	GENERAL TOLERANCES (UNLESS SPECIFIED)										EC NO: 677478 DRWN: SCV 2021/09/13 CHK'D: GGA 2021/09/22 APPR: GGA 2021/09/22				
DIVISIONAL SYMBOLS	ANGULAR TOL ± °														
	4 PLACES	±		INITIAL REVISION:							DOCUMENT NUMBER		DOC TYPE	DOC PART	REVISION
	3 PLACES	±		DRWN: ADING03 2017/03/28							1601120000	PSD	000	D5	
	2 PLACES	±		APPR: JDENG02 2017/04/07							MATERIAL NUMBER	CUSTOMER			
	1 PLACE	±		DRAFT WHERE APPLICABLE MUST REMAIN WITHIN DIMENSIONS	THIRD ANGLE PROJECTION	DRAWING	SERIES	MATERIAL NUMBER	CUSTOMER				SHEET NUMBER		
	0 PLACES	±				D-SIZE	160112	1601120000	CHARTED				3 OF 6		

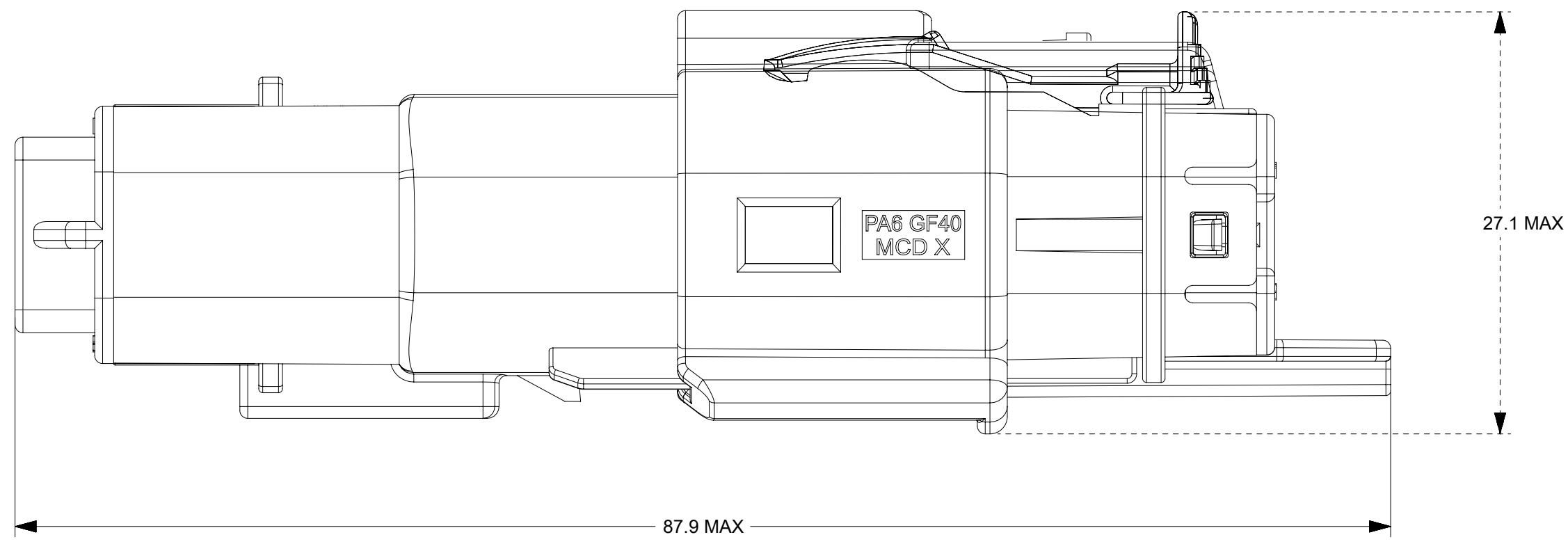
SEE NOTES

**SHEET DESCRIPTION**  
**BLADE CONNECTOR ASSEMBLY**

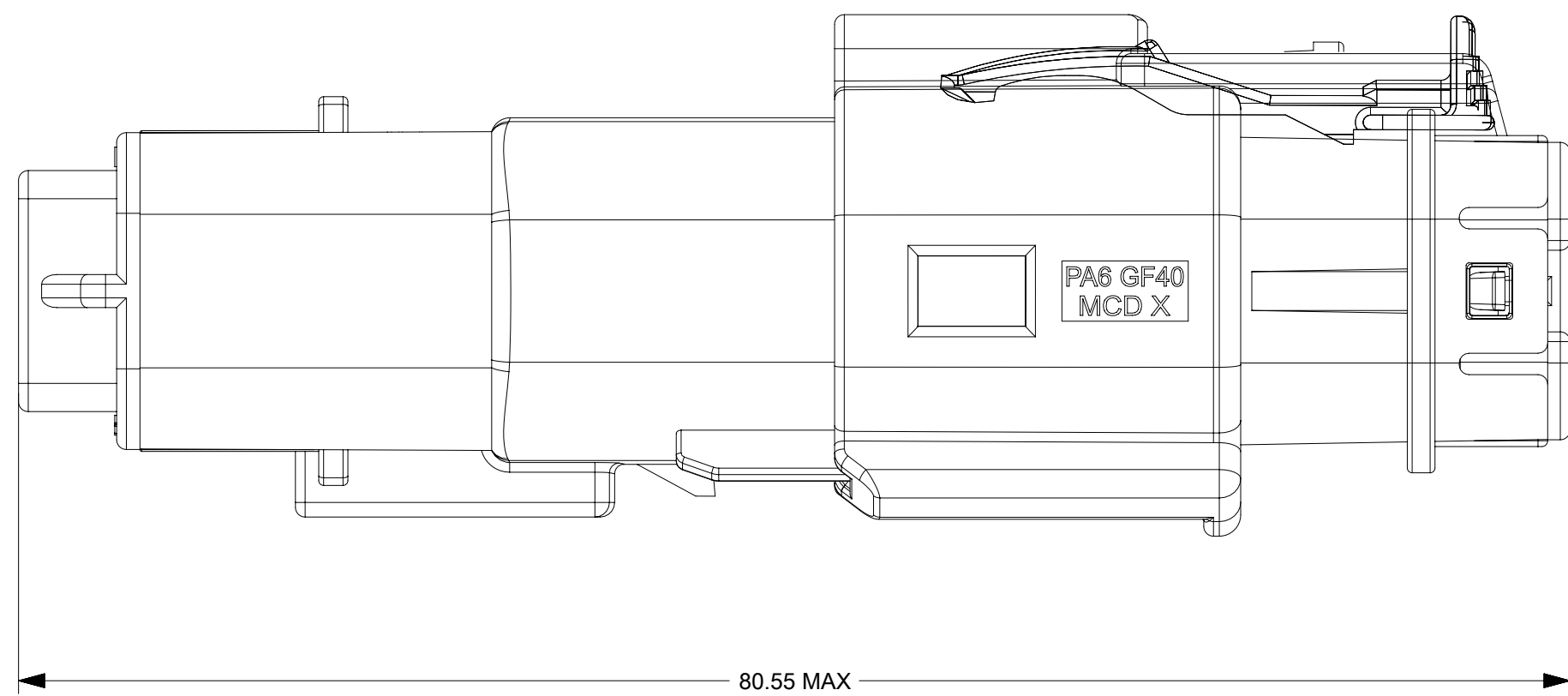


<b>FUNCTIONAL SYMBOLS</b> FA = 0 FE = 0 FP = 0 <b>DIVISIONAL SYMBOLS</b> SEE NOTES	THIS DRAWING CONTAINS INFORMATION THAT IS PROPRIETARY TO MOLEX ELECTRONIC TECHNOLOGIES, LLC AND SHOULD NOT BE USED WITHOUT WRITTEN PERMISSION		CURRENT REV DESC: SEE REVISION TABLE			
	DIMENSION UNITS: mm SCALE: 4:1 GENERAL TOLERANCES (UNLESS SPECIFIED): ANGULAR TOL ± ° 4 PLACES ± 3 PLACES ± 2 PLACES ± 1 PLACE ± 0 PLACES ±	EC NO: 677478 DRWN: SCV 2021/09/13 CHK'D: GGA 2021/09/22 APPR: GGA 2021/09/22 INITIAL REVISION: DRWN: ADING03 2017/03/28 APPR: JDENG02 2017/04/07		DOCUMENT NUMBER: 1601120000 DOC TYPE: PSD DOC PART: 000 REVISION: D5		
DRAFT WHERE APPLICABLE MUST REMAIN WITHIN DIMENSIONS		THIRD ANGLE PROJECTION	DRAWING: D-SIZE	SERIES: 160112	MATERIAL NUMBER: CHARTED CUSTOMER:	SHEET NUMBER: 4 OF 6

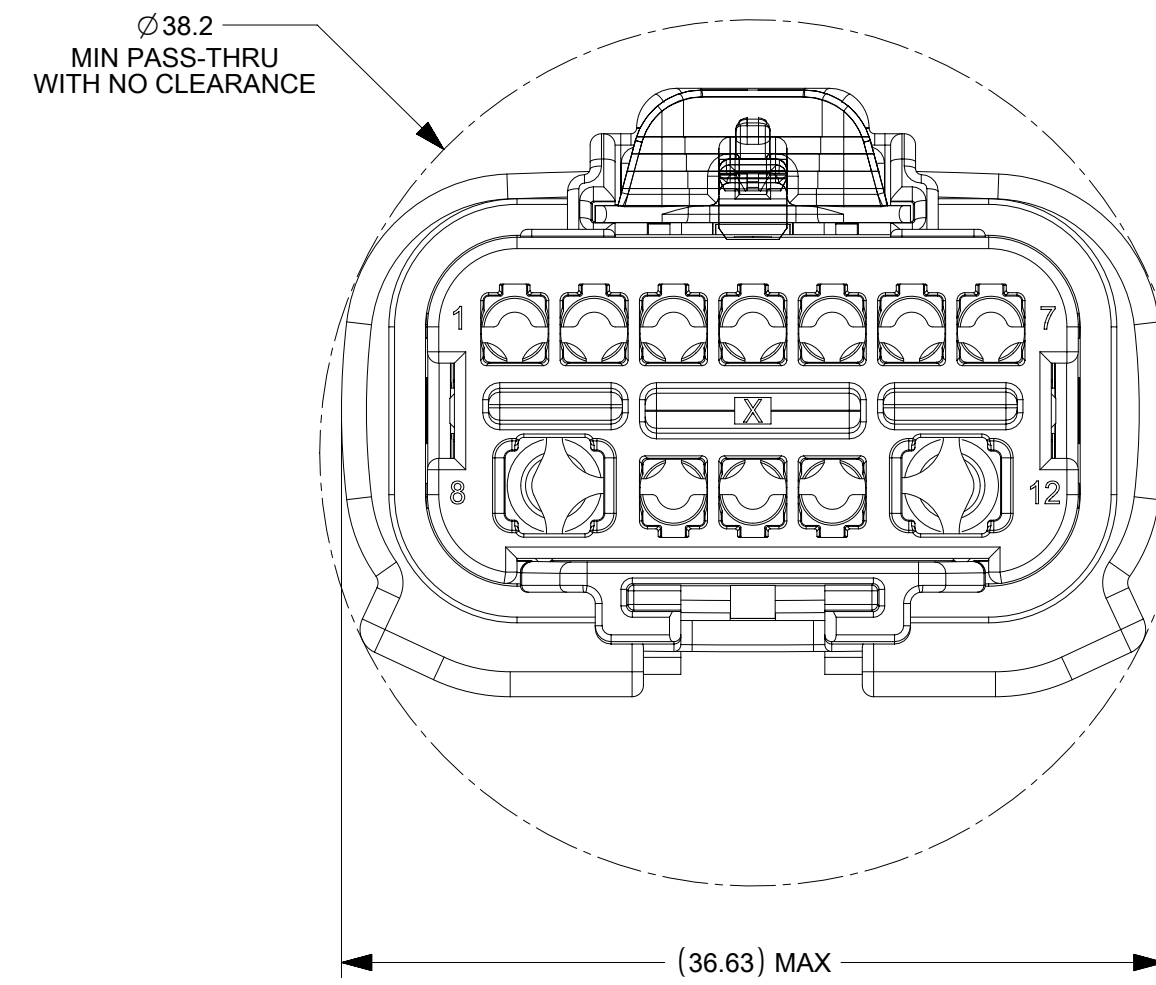
SHEET DESCRIPTION  
SYSTEM PACKAGING



WITH EXTENDED CLIPSLOT RECEPTACLE HOUSING



NON CLIPSLOT RECEPTACLE HOUSING



FUNCTIONAL SYMBOLS												THIS DRAWING CONTAINS INFORMATION THAT IS PROPRIETARY TO MOLEX ELECTRONIC TECHNOLOGIES, LLC AND SHOULD NOT BE USED WITHOUT WRITTEN PERMISSION											
FA = 0		mm		SCALE 3:1		CURRENT REV DESC: SEE REVISION TABLE																	
FC = 0		GENERAL TOLERANCES (UNLESS SPECIFIED)						EC NO: 677478															
FD = 0		ANGULAR TOL ± °						DRWN: SCV 2021/09/13															
DIVISIONAL SYMBOLS		4 PLACES ±		3 PLACES ±		CHK'D: GGA 2021/09/22						PRODUCT CUSTOMER DRAWING											
		2 PLACES ±		1 PLACE ±		APPR: GGA 2021/09/22						DOCUMENT NUMBER		DOC TYPE		DOC PART		REVISION					
		0 PLACES ±		INITIAL REVISION:						1601120000		PSD		000		D5							
		DRAFT WHERE APPLICABLE MUST REMAIN WITHIN DIMENSIONS						THIRD ANGLE PROJECTION		DRAWING D-SIZE		SERIES 160112		MATERIAL NUMBER CHARTED		CUSTOMER		SHEET NUMBER 5 OF 6					

