

6 5 4 3 2 1

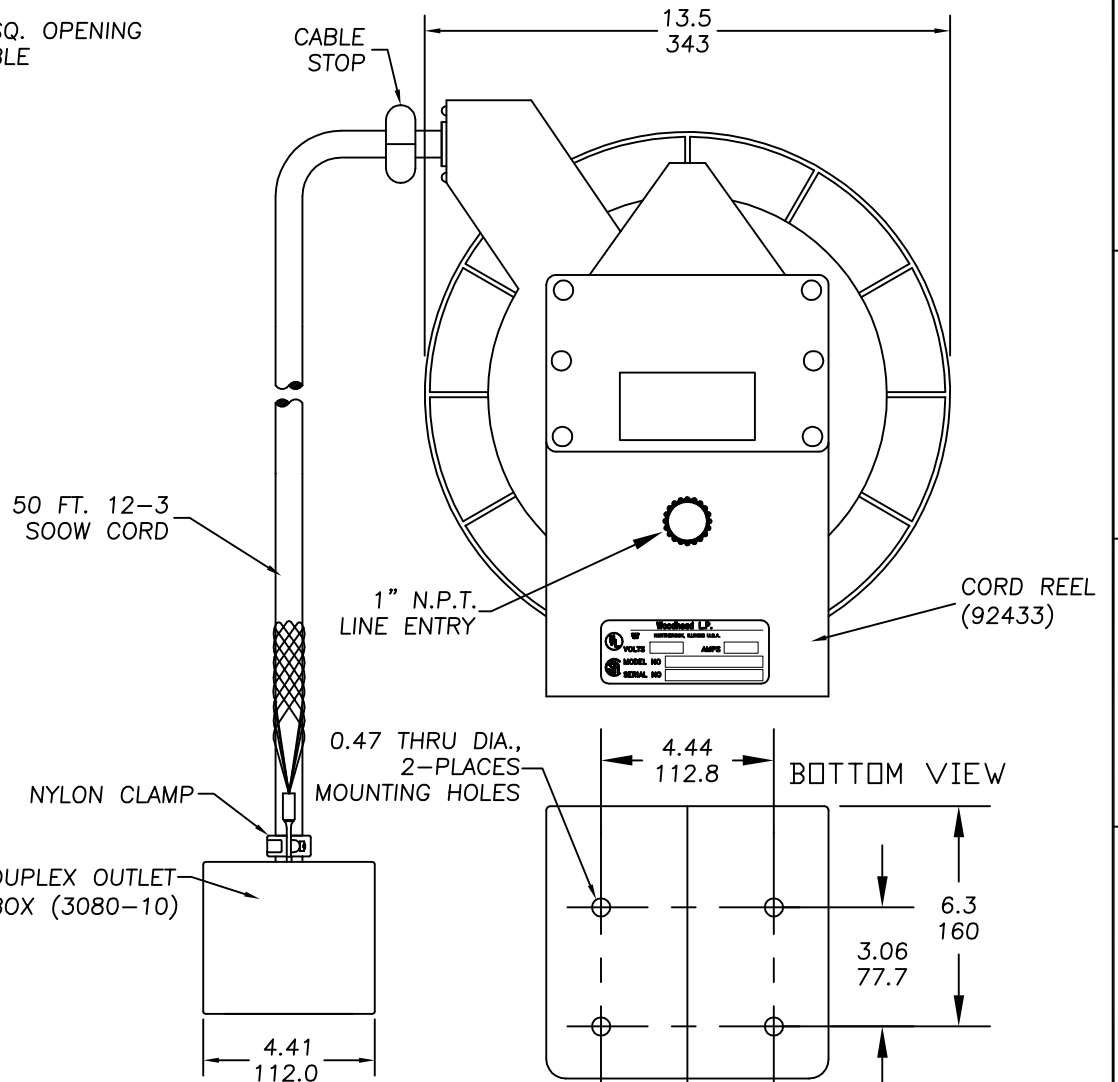
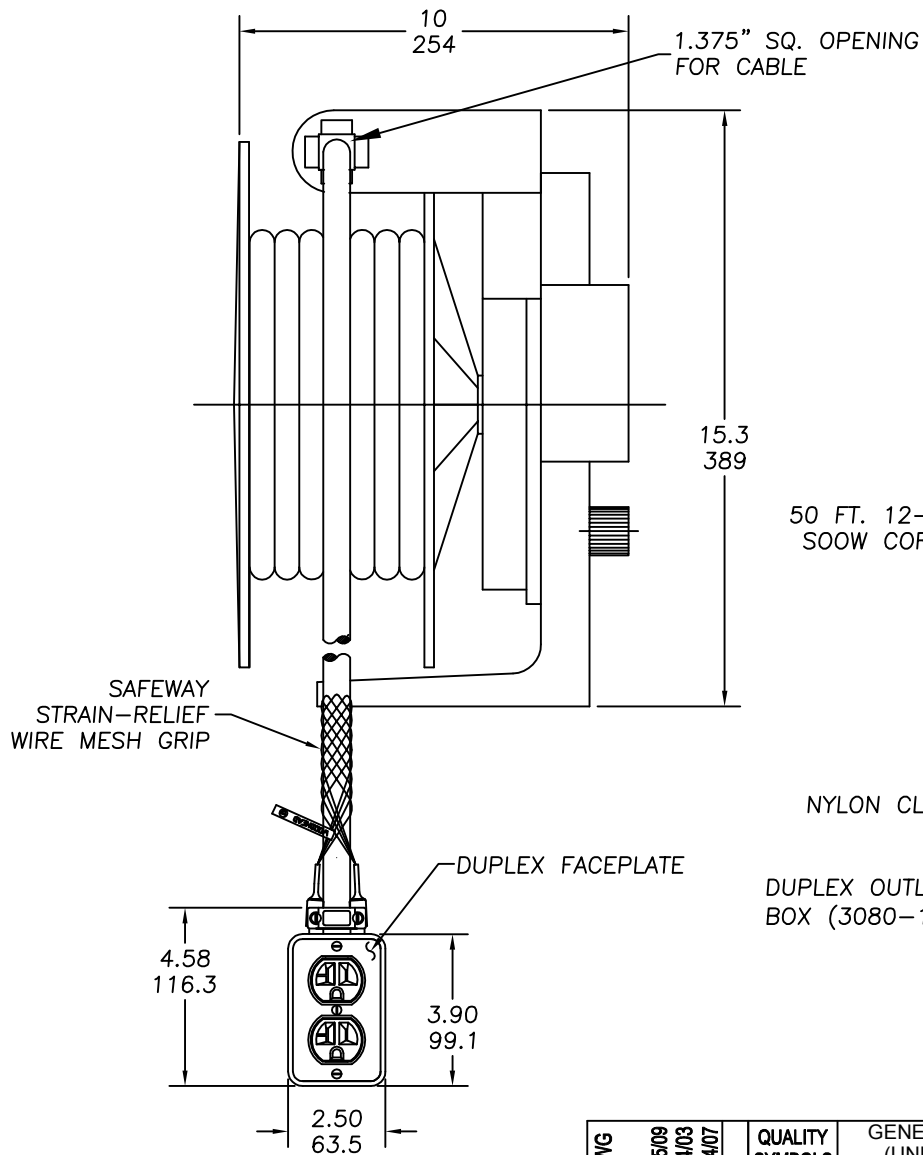
E

D

C

B

A



CUSTOMER APPROVAL DRWG EC NO: WNA209-0568 DRWN: HKNEELAN 3/5/09 CHKD: DTTITUS 2009/04/03 APPR: DTTITUS 2009/04/07	REV DESCRIPTION A	QUALITY SYMBOLS ▽=0 ▽C=0	GENERAL TOLERANCES (UNLESS SPECIFIED)		DIMENSION STYLE INCH		SCALE NTS	DESIGN UNITS INCH	THIRD ANGLE PROJECTION	
		4 PLACES ±--- ±---	mm INCH	DRAWN BY DATE HKNEELAN 2009/03/06	TITLE 92433 CABLE REEL 50 FT. 12-3 AND 3080-10 BOX W/ MESH					
		3 PLACES ±--- ±---	mm INCH	CHECKED BY DATE HKNEELAN 2009/03/06	MOLEX INCORPORATED					
		2 PLACES ±--- ±---	mm INCH	APPROVED BY DATE DTTITUS 2009/04/03	MATERIAL NO. 1300830879	DOCUMENT NO. SD-130083-008	SHEET NO. 1 OF 1			
		1 PLACE ±--- ±---	mm INCH	ANGULAR ±.5°		THIS DRAWING CONTAINS INFORMATION THAT IS PROPRIETARY TO MOLEX INCORPORATED AND SHOULD NOT BE USED WITHOUT WRITTEN PERMISSION				
DRAFT WHERE APPLICABLE MUST REMAIN WITHIN DIMENSIONS			SIZE A							

6 5 4 3 2 1