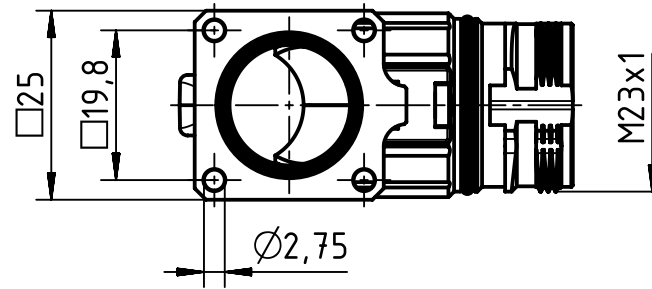
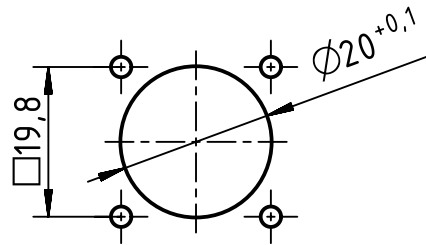
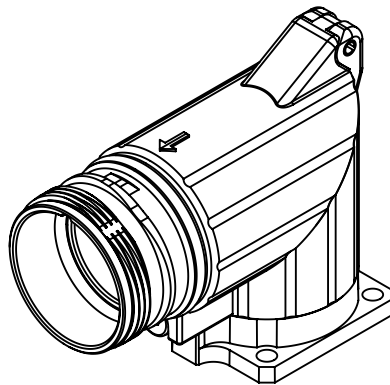
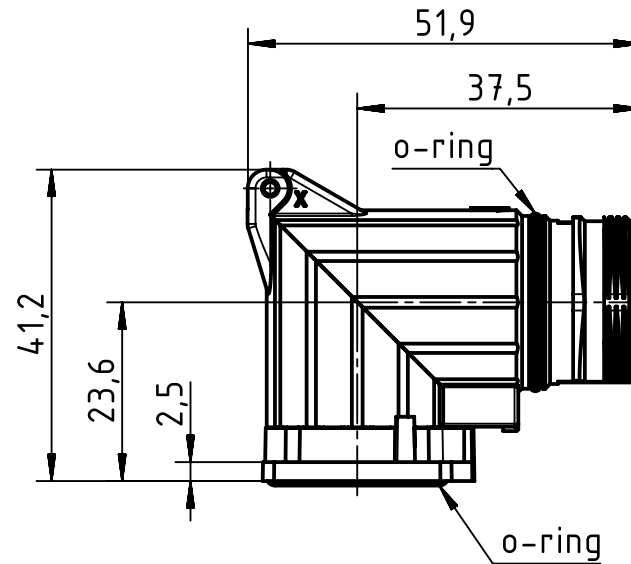


panel cut out



M23x1



	All rights reserved Department EL PD	All Dimensions in mm Original Size DIN A4		Scale 1:1	Free size tol.	Ref. Sub.
		Created by DYCKC	Inspected by GRUBES	Standardisation TIEMANNA	Date 2019-07-19	State Final Release
HARTING Electric GmbH & Co. KG D-32339 Espelkamp		Title M23 HMB angled - rotatable			Doc-Key / ECM-Nr. 100708783/UGD/001/C 500000154908	
		Type TB	Number 09 15 100 0902		Rev. C	Page 1/1