



Wakefield-Vette's standard vapor chambers offer superior thermal spreading performance over traditional solid metal heat spreaders by taking advantage of two-phase liquid/vapor transport. Their lower weight and height over traditional solutions couples with their high thermal conductivity to give extremely low thermal resistance in-plane as well as through the thickness of the vapor chamber. Vapor Chambers are best suited for components with high heat densities (larger TDP in small chip sizes) which need to spread their heat to a larger area heat exchanger to achieve safe operating temperatures, thereby providing extended life and reliability for components and applied products



WKV Part #	Product Description	Thermal Resistance	length	width	thickness	qMax
VC-1131-8175-517	Standard Vapor Chamber 113.1mm x 81.75mm X 5.17mm	0.145	113.1	81.75	5.7	180W~
VC-90-90-3	Standard Vapor Chamber 90mm x 90mm x 3.00mm	0.143	90	90	3	150W~
VC-106-70-3	Standard Vapor Chamber 106mm x 70mm x 3mm	0.150	106	70	3	150W~
VC-106-82-3	Standard Vapor Chamber 106mm x 82mm x 3mm	0.140	106	82	3	150W~

## VC-1131-8175-517

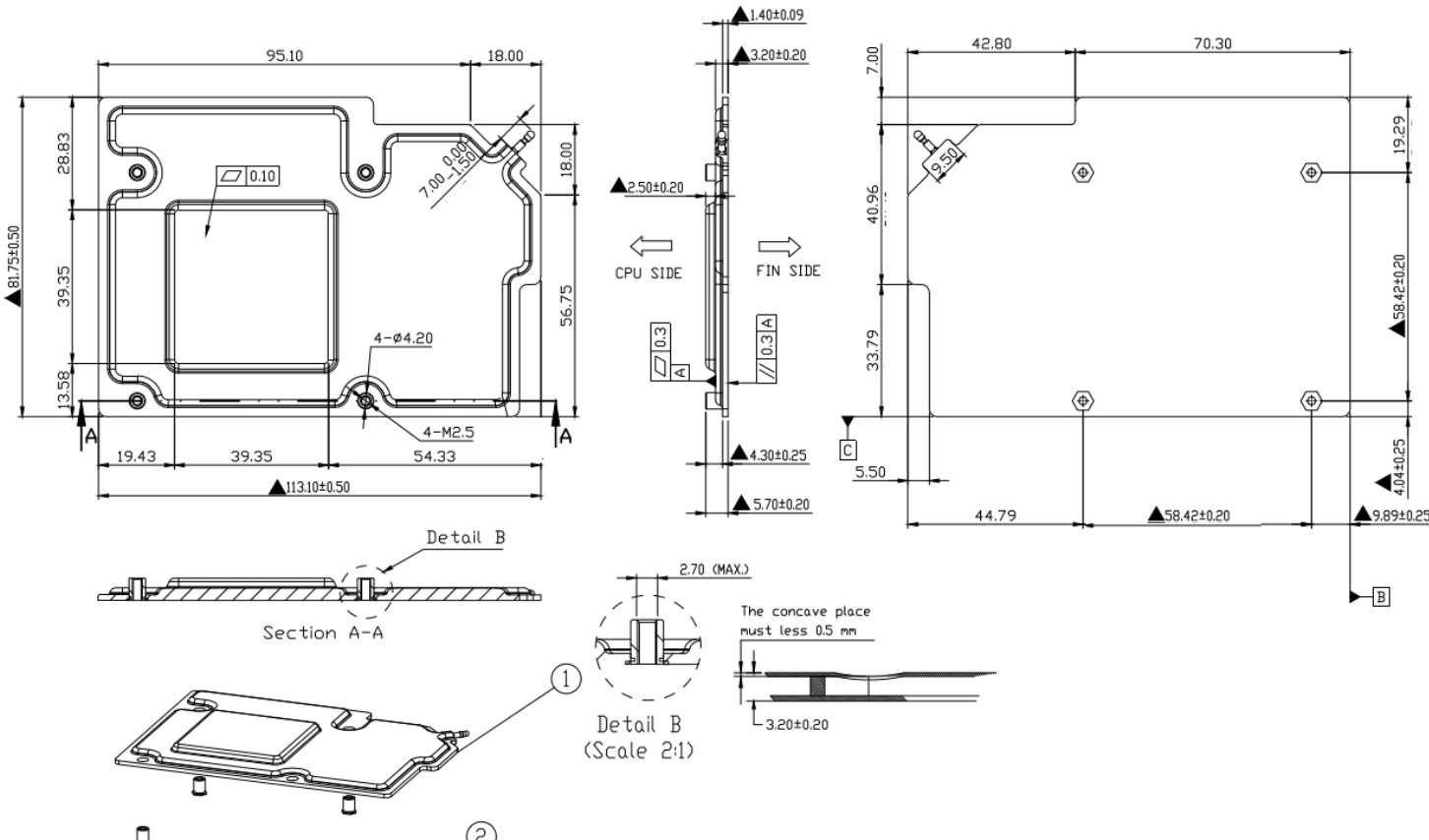
### Product Info Description

Dimension(mm) : L : 113mm / W : 81.8mm / T : 5.7mm

Operation Power : 180W~

### Product Info Details

- Thermal Resistance : 0.145°C/W
- Operation Temp. : 40~130°C
- Platform : VGA



### VC-90-90-3



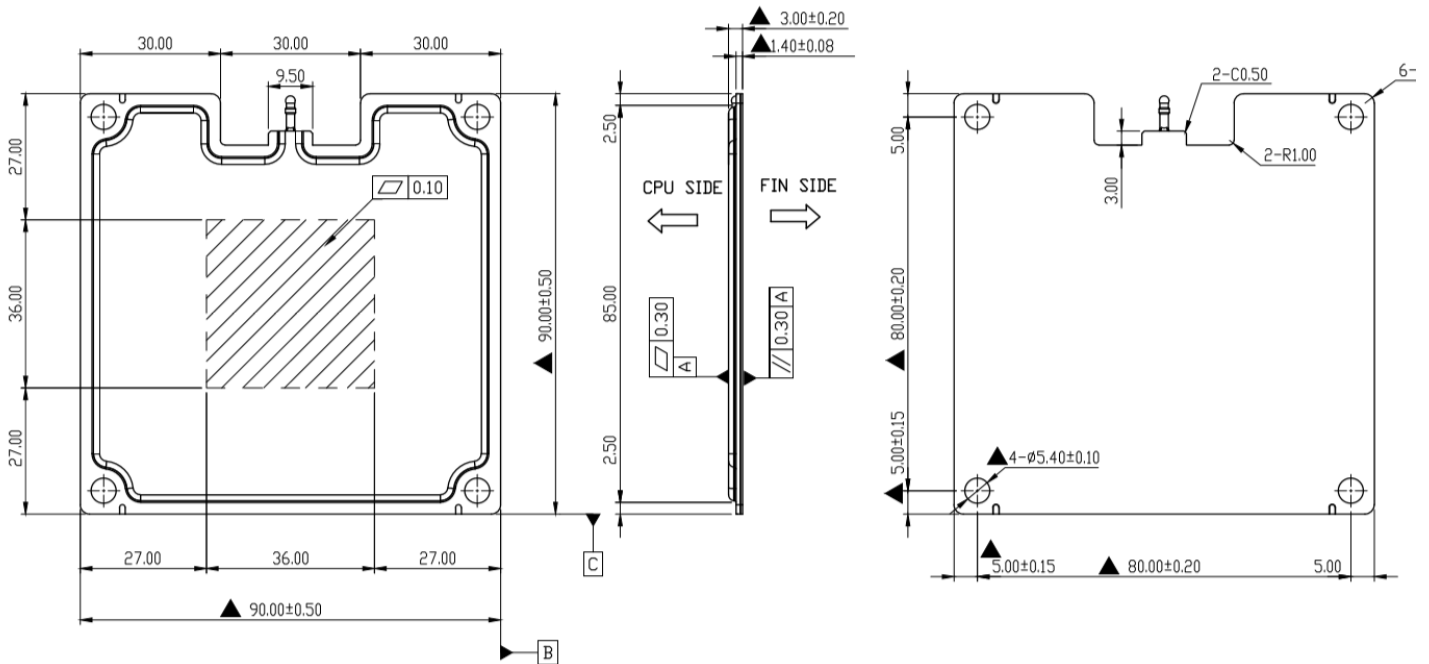
**Product Info Description**

Dimension(mm) : L : 90mm / W : 90mm / T : 3mm

Operation Power : 150W~

**Product Info Details**

- Thermal Resistance : 0.143°C/W
- Operation Temp. : 40~140°C
- Platform : Intel 2011 Square



### VC-106-70-3



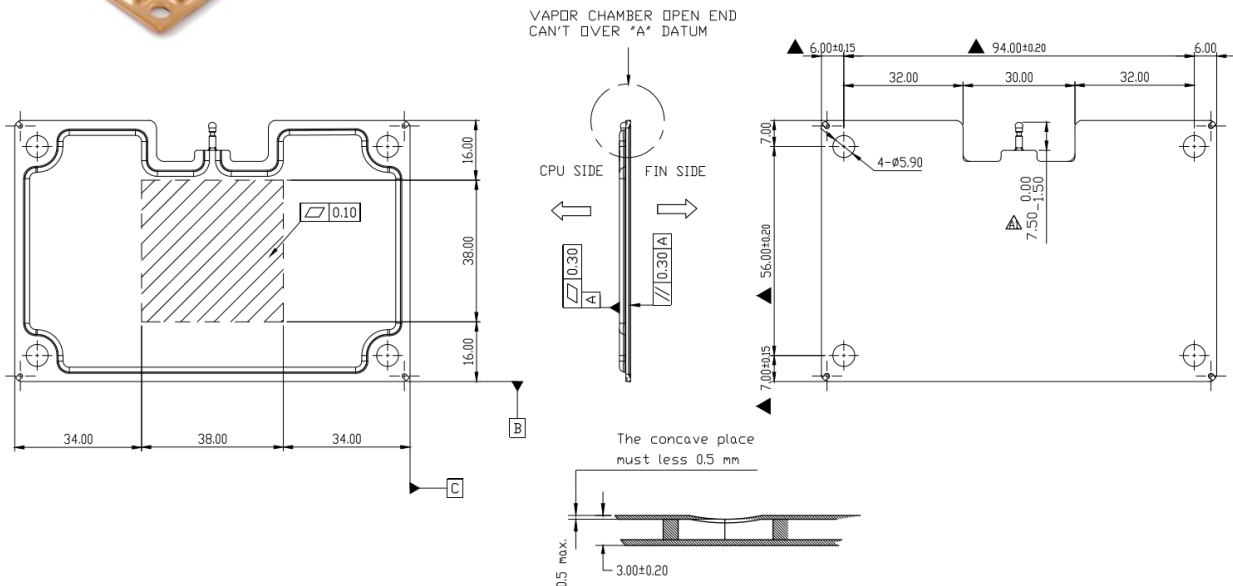
**Product Info Description**

Dimension(mm) : L : 106mm / W : 70mm / T : 3mm

Operation Power : 150W~

**Product Info Details**

- Thermal Resistance : 0.150°C/W
- Operation Temp. : 40~140°C
- Platform : Intel 2011 Narrow



VC-106-82-3



**Product Info Description**

Dimension(mm) : L : 106mm / W : 82mm / T : 3mm

Operation Power : 150W~

**Product Info Details**

- Thermal Resistance : 0.140°C/W
- Operation Temp. : 40~140°C
- Platform : Intel 2011 Narrow

