



TAI-SAW TECHNOLOGY CO., LTD.

No. 3, Industrial 2nd Rd., Ping-Chen Industrial District,
Taoyuan, 324, Taiwan, R.O.C.
TEL: 886-3-4690038 FAX: 886-3-4697532
E-mail: tstsales@mail.taisaw.com Web: www.taisaw.com

Product Specifications Approval Sheet

Product Description: SAW Resonator 433.92 MHz SMD 5.0X3.5 mm

TST Part No.: TC0269A

Customer Part No.: _____

Customer signature required
Company: _____
Division: _____
Approved by : _____
Date: _____

Checked by: _____ Sam Lin *Sam Lin*

Approved by: _____ Bob Chau *Bob Chau*

Date: _____ 2016/03/30

1. Customer signed back is required before TST can proceed with sample build and receive orders.
2. Orders received without customer signed back will be regarded as agreement on the specifications.
3. Any specifications changes must be approved upon by both parties and a new revision of specifications shall be released to reflect the changes.



TAI-SAW TECHNOLOGY CO., LTD.

No. 3, Industrial 2nd Rd., Ping-Chen Industrial District,
Taoyuan, 324, Taiwan, R.O.C.

TEL: 886-3-4690038 FAX: 886-3-4697532

E-mail: tstsales@mail.taisaw.com Web: www.taisaw.com

SAW Resonator 433.92 MHz

MODEL NO.: TC0269A

REV. NO.:4

A. FEATURES:

- 1-Port Resonator.

B. MAXIMUM RATING:

- 1.Input Power Level: 0 dBm
- 2.DC voltage: 12 V
- 3.Operating Temperature: -40°C to +85°C
- 4.Storage Temperature: -40°C to +85°C

C. ELECTRICAL CHARACTERISTICS:

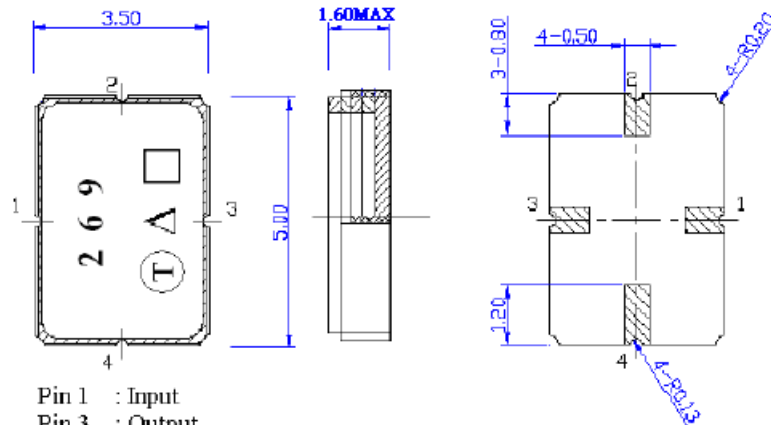
Reference Temperature $T_A=25^\circ\text{C}$

Characteristic	Units	Minimum	Typical	Maximum
Center frequency Fc	MHz	433.845	433.920	433.995
Insertion Loss IL	dB	-	1.2	1.7
Ageing of fc	ppm/yr	-	-	± 10
Equivalent Circuit Model				
Motional capacitance C1	fF	-	1.79	-
Motional inductance L1	μH	-	75.72	-
Motional resistance R1	Ohm	-	14.3	23
Parallel capacitance Co	pF	-	3.2	-
Frequency Temperature coefficient (TC_f)	ppm/c*2	-	0.032	-
Turnover T_o	deg.C	5	15	25

Temperature dependence of fc: $f_c(T_A)=f_c(T_O)(1+\text{TC}_f(T_A-T_O)^2)$

RoHS Compliant
Lead free
Lead-free soldering

D. OUTLINE DRAWING:



Pin 1 : Input
 Pin 3 : Output
 Pin 2,4 : Ground

△ Year code

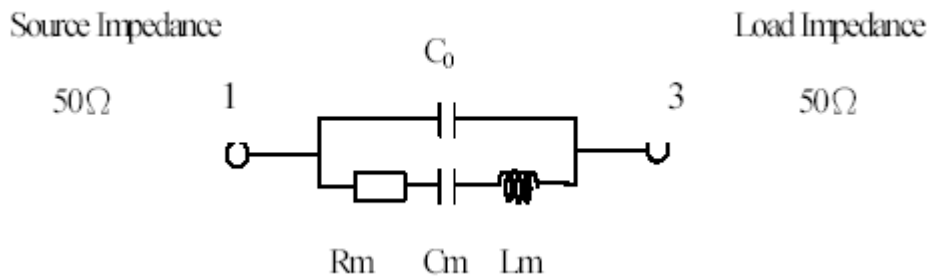
□ Week code(Follow Provided by planer each year)the table

	2005	2006	2007	2008
Year code	2009	2010	2011	2012
	C	c	C	c

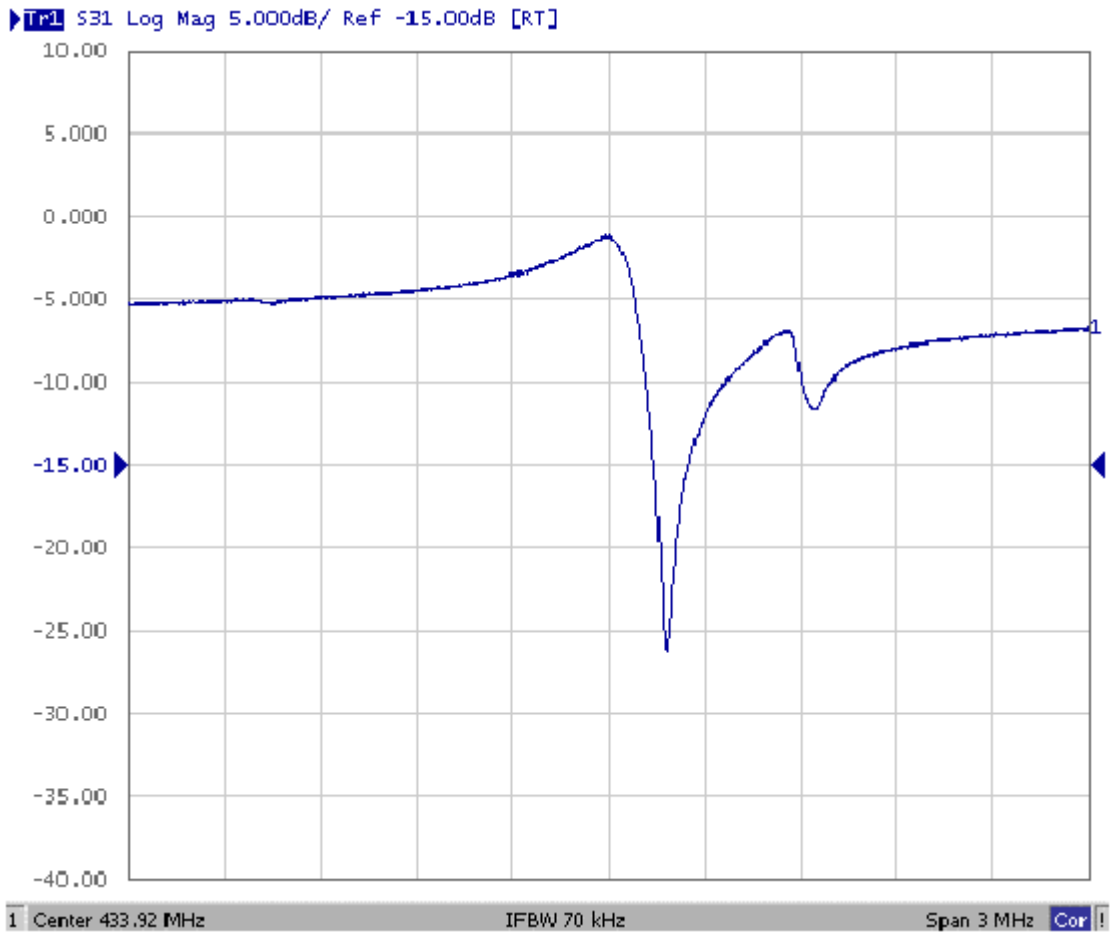
week code	1	2	...	26	27	28	...	52
	A	B	...	Z	a	b	...	z

E. EQUIVRENT CIRCUIT:

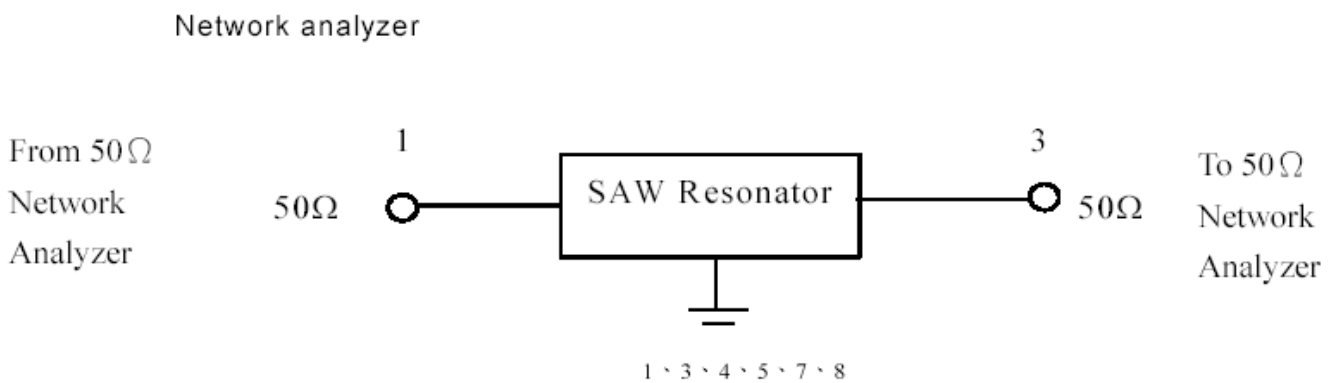
One-Port Resonator:



F. FREQUENCY CHARACTERISTICS:

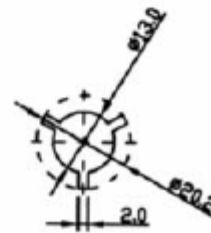
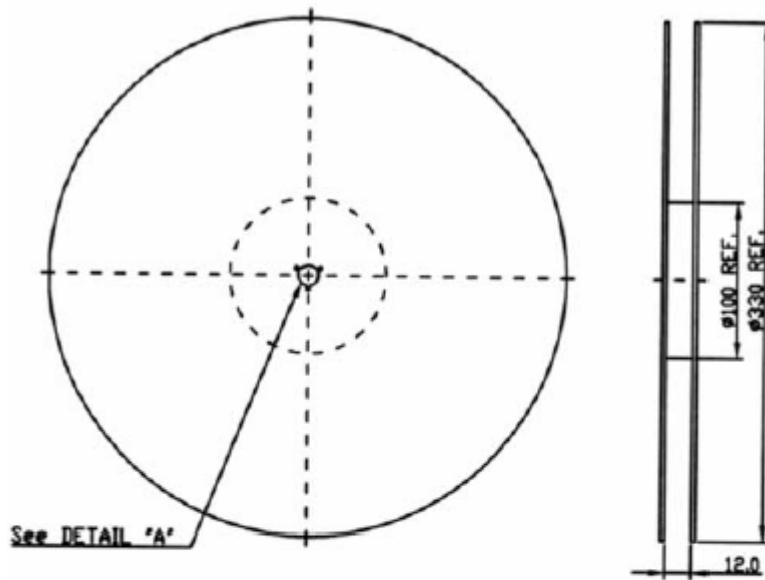


G. TEST CIRCUIT:



H. PACKING:

1. REEL DIMENSION



2. TAPE DIMENSION

