

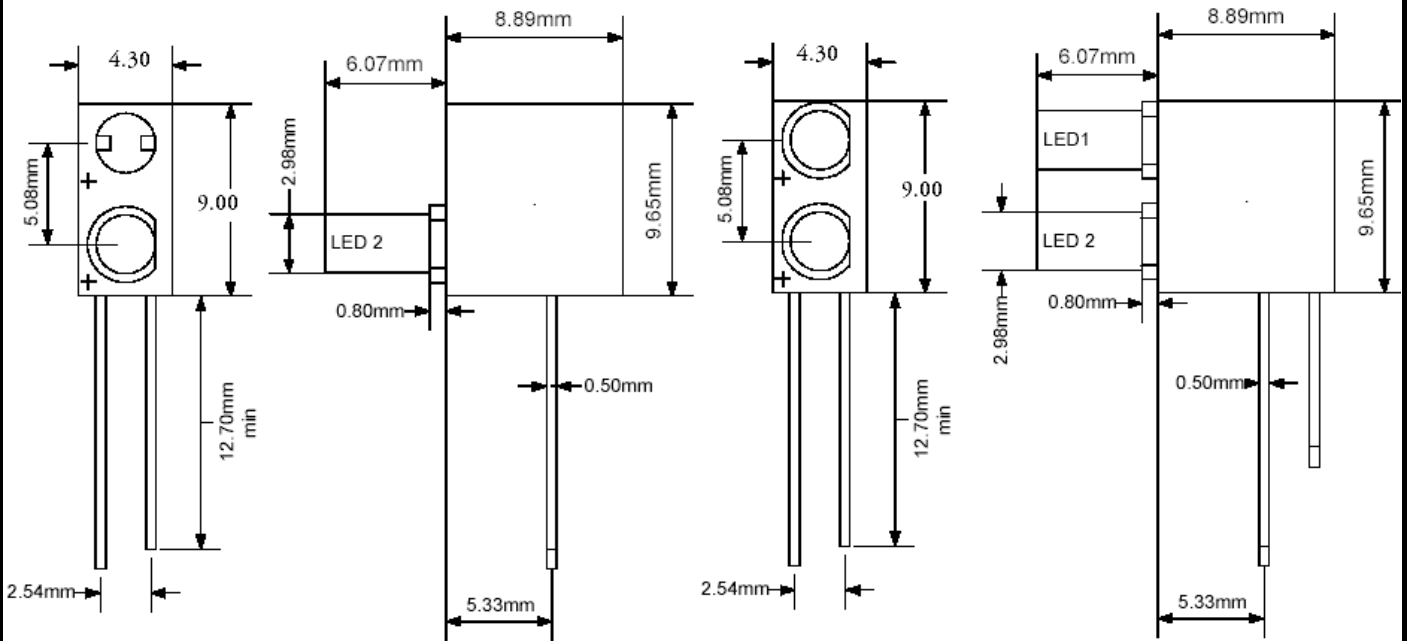


American Opto Plus

L-364xxD-H3062DD

3mm Dia FLAT-TOP PROFILE LED LAMP WITH H3062A HOLDER

MAIN FEATURES
3mm CYLINDRICAL FLAT-TOP LED LAMP
STANDARD 1" LEAD
I.C. COMPATIBLE
LOW POWER CONSUMPTION



All Tolerance shall be ± 0.01 inch / 0.25mm

SELECTION GUIDE AND APPLICATION INFORMATION (RATINGS AT 25 AMBIENT)

Part No.	Chip		Lens Color	Wave Length p(nm)	Absolute Maximum Ratings				Electro-Optical Characteristics					View Angle (deg)	
	Raw Material	Emitted Color			Nm λ	Pd mW	If mA	If (Peak)	Vf(V)			Iv (mcd)			
									Min.	Typ.	Max.		(Rec)		Min.
L3640YD-H3062	None														
	GaAsP/GaP	Yellow	Yellow Diffused	590	30	100	30	160	1.7	2.1	2.8	10~20	1.0	3.0	180
L3640GD-H3062	None														
	GaP	Green	Green Diffused	570	30	100	30	160	1.7	2.1	2.8	10~20	1.0	3.0	180
L3640SBD-H3062	None														
	GSiC	Blue	Blue Diffused	430	70	200	50	200	4.5	4.9	5.5	10~20		45	180
L3640ED-H3062	None														
	GaAsP/GaP	Hi.efi red	Red Diffused	635	45	100	30	160	1.7	2.0	2.8	10~20	6.0	20.0	180
L364YYD-H3062	GaAsP/GaP	Yellow	Yellow Diffused	585	30	100	30	160	1.7	2.1	2.8	10~20	0.7	2.5	180
	GaAsP/GaP	Yellow	Yellow Diffused	585	30	100	30	160	1.7	2.1	2.8	10~20	0.7	2.5	180
L364GGD-H3062	GaP	Green	Green Diffused	567	30	100	30	160	1.7	2.1	2.8	10~20	0.6	1.7	180
	GaP	Green	Green Diffused	567	30	100	30	160	1.7	2.1	2.8	10~20	0.6	1.7	180
L364EED-H3062DD	GaAsP/GaP	Hi.efi red	Red Diffused	635	45	100	30	160	1.7	2.0	2.8	10~20	6.0	20.0	180
	GaAsP/GaP	Hi.efi red	Red Diffused	635	45	100	30	160	1.7	2.0	2.8	10~20	6.0	20.0	180
L364GYD-H3062DD	GaP	Green	Green Diffused	567	30	100	30	160	1.7	2.1	2.8	10~20	0.6	1.7	180
	GaAsP/GaP	Yellow	Yellow Diffused	585	30	100	30	160	1.7	2.1	2.8	10~20	0.7	2.5	180
L364YGD-H3062	GaAsP/GaP	Yellow	Yellow Diffused	585	30	100	30	160	1.7	2.1	2.8	10~20	0.7	2.5	180
	GaP	Green	Green Diffused	567	30	100	30	160	1.7	2.1	2.8	10~20	0.6	1.7	180

ABSOLUTE MAXIMUM RATING: (Ta=25)

Reverse Voltage	: 5 Volt
Reverse Current(Vr = 5V)	: 100 μ A
Operating Temperature Range	: -40 to +80
Storage Temperature Range	: -40 to +100
Lead Soldering Temperature	: 260 for 5 Seconds
(1.6mm(1/16inch) from body)	

ELECTRO-OPTICAL CHARACTERISTICS: (Ta=25)

Para meter Description	Symbol	Unit
Spectral Line half-Width	λ	nm
Power Dissipation	Pd	mW
Peak Forward Current (Duty 1/10,@KHz)	If(Peak)	mA
Recommended Operation Current	If(Rec)	mA
Average Luminuous intensity (If = 10mA)	Iv	mcd