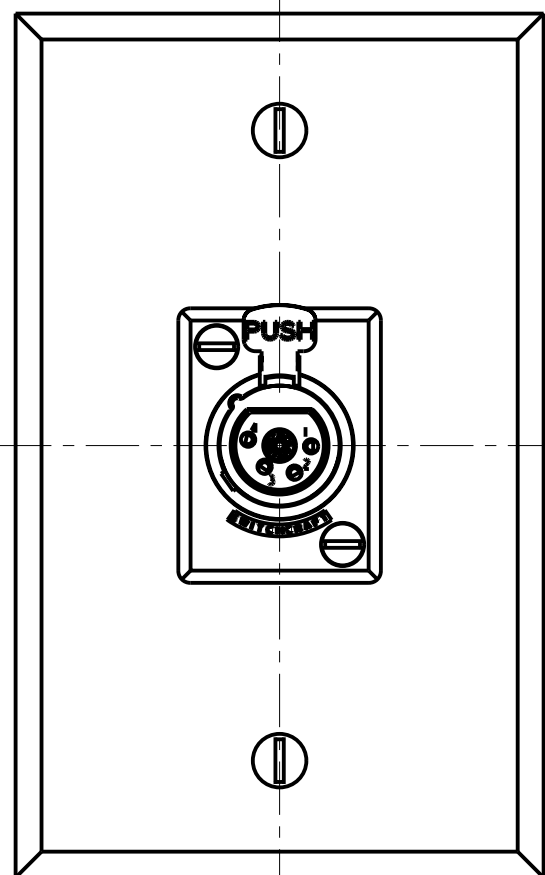
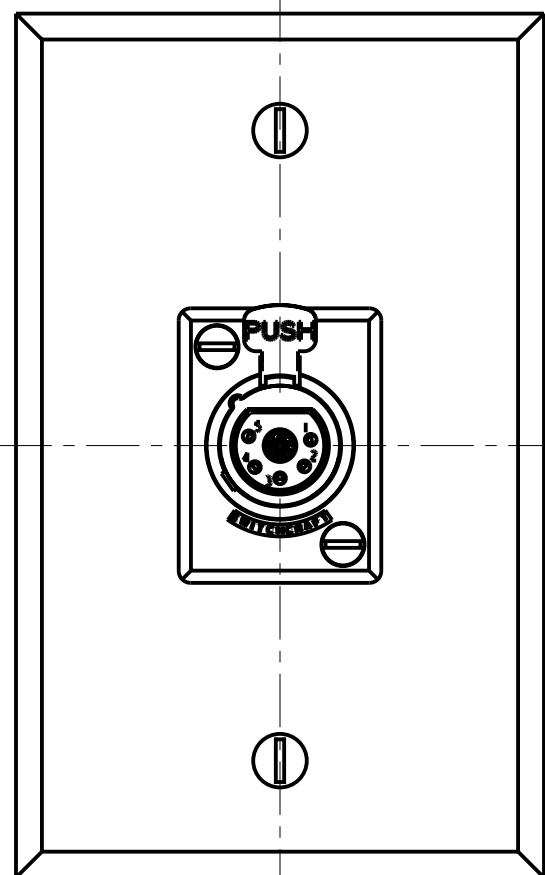


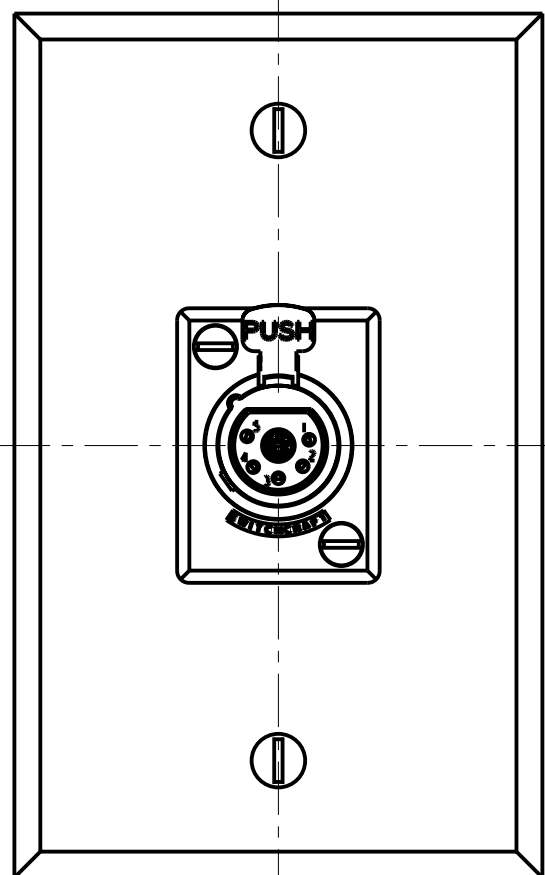
3 PIN



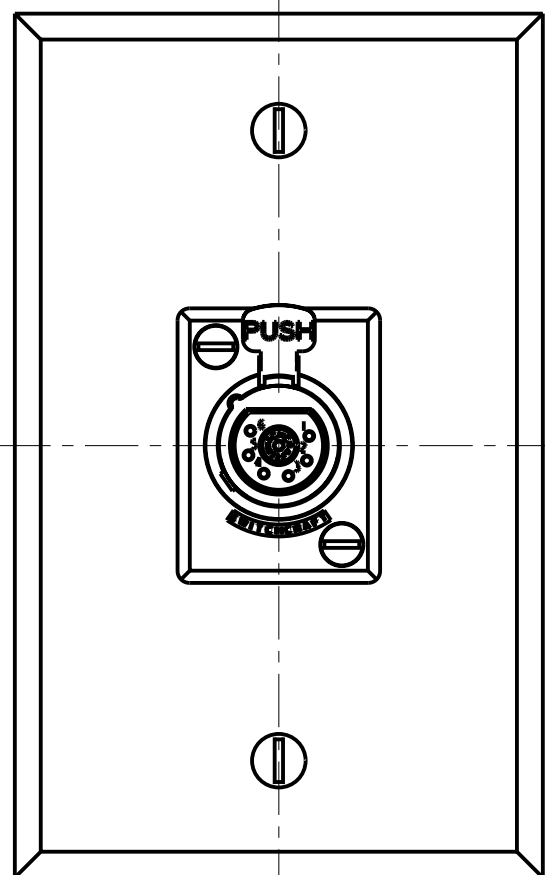
4 PIN



5 PIN

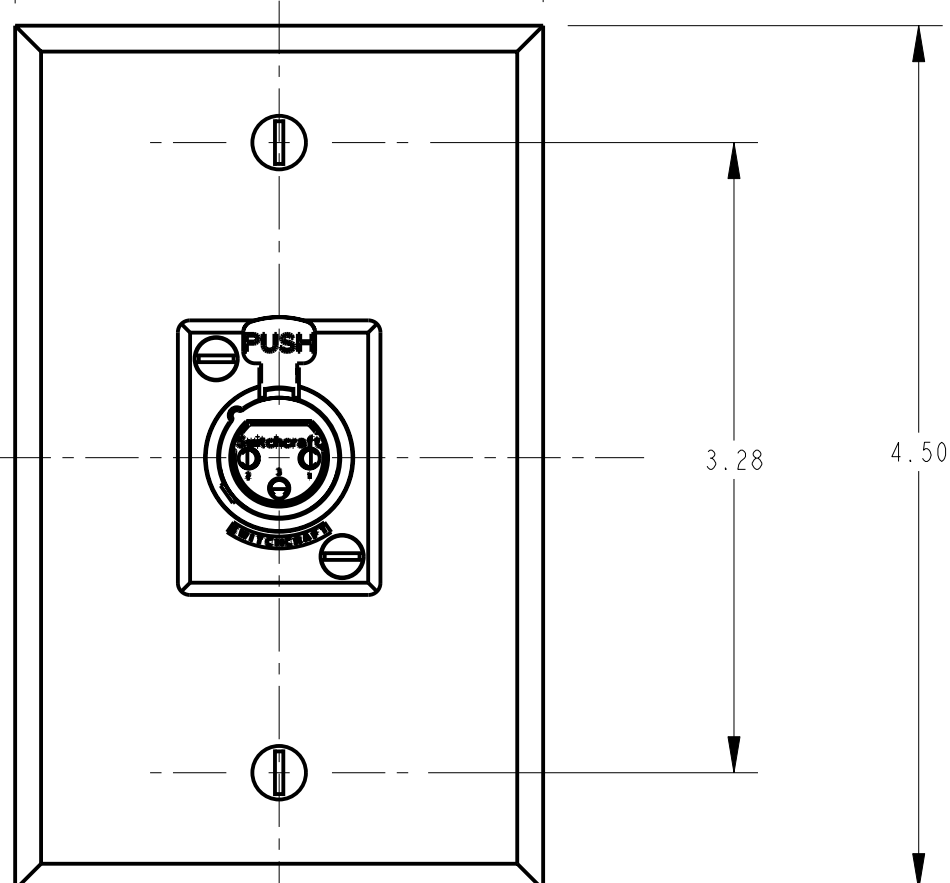
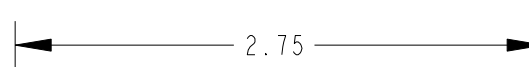
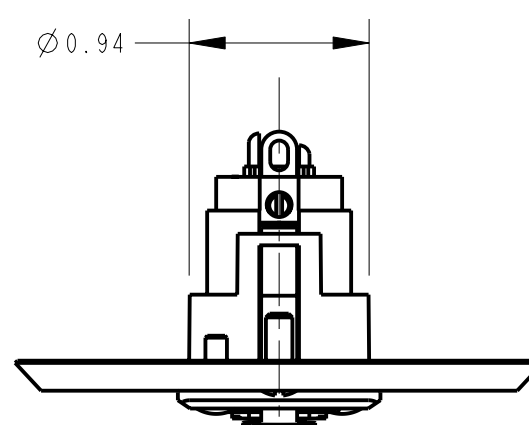
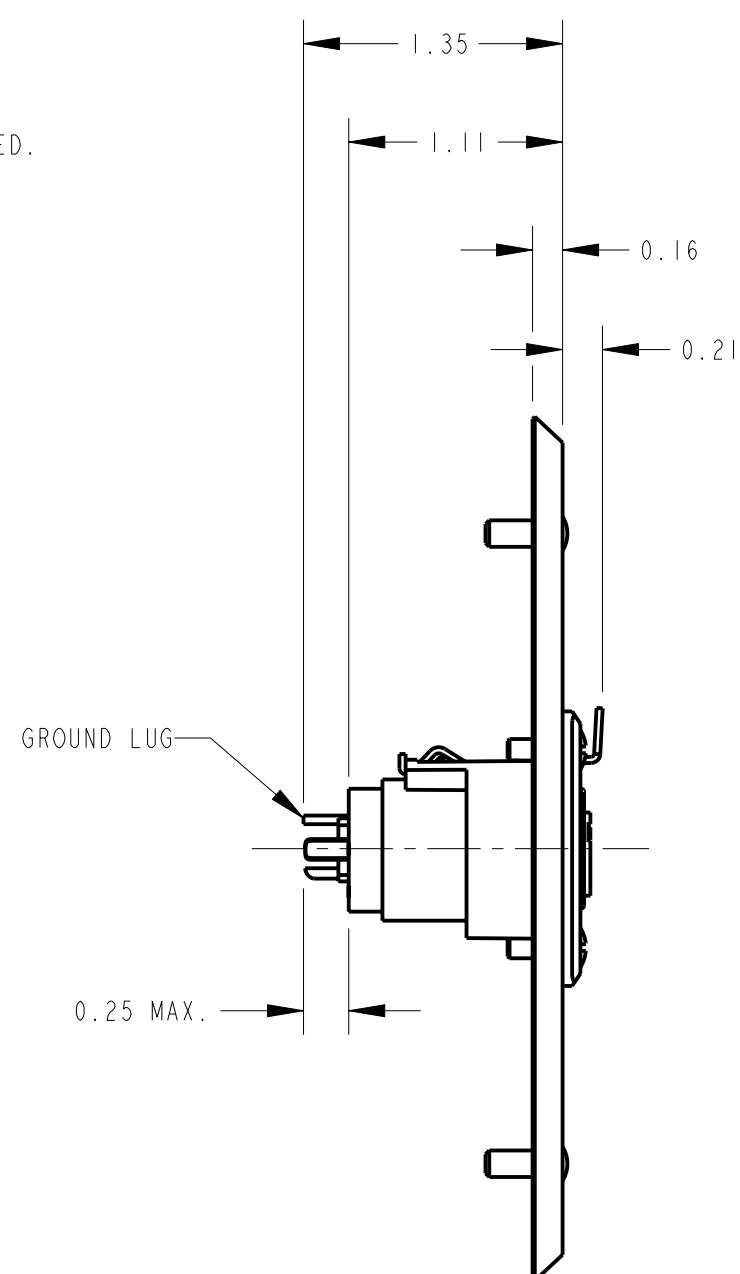


6 PIN



7 PIN

- NOTES:
1. MOUNTING SCREWS SHIPPED UNASSEMBLED.
 2. ALL DIMENSIONS REF. UNLESS OTHERWISE SPECIFIED.



STANDARD SERIES

INSERT MTG. SCREW - STAINLESS STEEL
 SHELL - STAINLESS STEEL
 RELEASE LEVER - STEEL, NICKEL PLATED
 LATCH BUTTON - ZINC, NICKEL PLATED
 LATCH SPRING - STAINLESS STEEL
 INSULATORS - POLYESTER, GREEN
 SOLDER TERMINAL - BRASS, ELECTO TIN PLATED
 CONTACT PIN - PHOSPHOR BRONZE, SILVER PLATED
 HOUSING - ZINC, NICKEL PLATED
 CONNECTOR MTG. SCREWS - BRASS, NICKEL PLATED
 WALL PLATE MTG. SCREWS - STAINLESS STEEL
 WALL PLATE - STAINLESS STEEL
 NUTS - BRASS, NICKEL PLATED

J - F S

NO. OF CONTACTS:
 3 = 3 CONTACTS
 4 = 4 CONTACTS
 5 = 5 CONTACTS
 6 = 6 CONTACTS
 7 = 7 CONTACTS

CUSTOMER DRAWING

G	ECO #20119	8-14-95	GHJ	GHJ	☆ STAR SYMBOL DENOTES CRITICAL DIMENSION UNLESS OTHERWISE SPECIFIED 1. ALL DIMENSIONS IN INCHES - TWO PLACE DECIMALS ±0.01 - THREE PLACE DECIMALS ±0.005 - FRACTIONAL DIMENSIONS ±1/64 - ANGLES ±1° - ALL DIA. CONCENTRIC WITHIN 0.005 T.I.R. 2. FEATURES ON THE SAME CENTERLINE MUST BE ALIGNED WITHIN ±0.002 3. REMOVE ALL BURRS	THIS DRAWING DESCRIBES A DESIGN CONSIDERED PROPRIETARY IN NATURE, DEVELOPED AND MANUFACTURED BY SWITCHCRAFT INC. AND IS RELEASED ON A CONFIDENTIAL BASIS FOR IDENTIFICATION PURPOSES ONLY.					
F	ECO #20114	8-14-95	GHJ	GHJ		SIZE	WIDTH	MULT	LBS/M	TEMPER	
E	ECO #20032	8-2-95	GHJ	GHJ		FINISH		MATERIAL			
D	ECO #19993	7-2-95	GHJ	GHJ		SPEC No.		SPEC No.			
J	22895	9-20-99	TJK	TJK		FIRST USED ON		SCALE			
H	20627	2-22-96	SG	SG	DATE DRAWN	BY	CHKD	APVD			
REV	ECO NUMBER	DATE	BY	APVD	13-Aug-94	SG	SG	GHJ			SHEET OF
REVISIONS					DO NOT SCALE DRAWING					NAME: J SERIES WALL MOUNT FEMALE OG PART No.: J_F S SERIES REV: J	