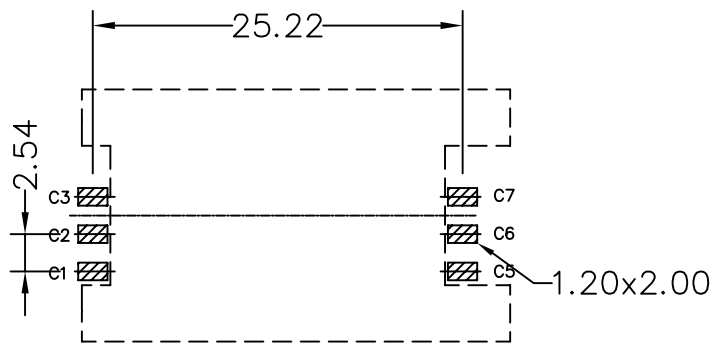
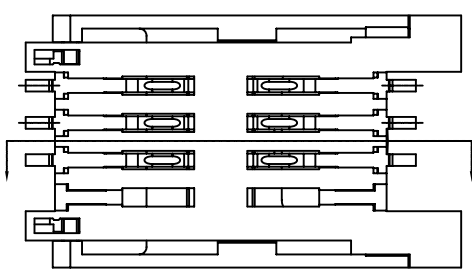
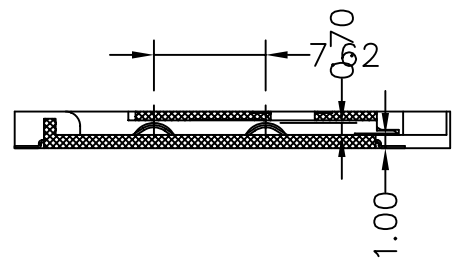
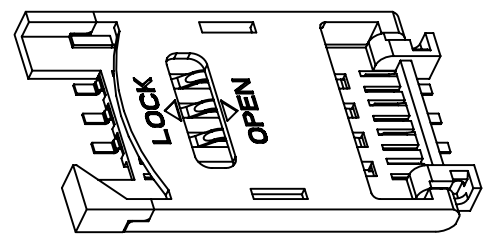


SPECIFICATIONS

Housing: Thermoplastic (UL94 V-0)
 Terminal: Phosphor Bronze, Gold Plating On Contact Area,
 Tin Plating On Solder Tail.
 Current Rating: 0.5A Max.
 Dielectric Withstanding Voltage: 500V AC R.M.S. For 1 Minute
 Insulation Resistance: 1000 Megohms Min. At DC 500V
 Contact Resistance: 50 Milliohms Max.
 Durability: 5000 Cycles
 Manual Soldering: 360°C, 3Sec Max.
 Vapor Phase : 215°C, 30Sec Max.
 IR Reflow: 260°C, 15Sec Max.
 Operation Temperature: -25°C To +85°C
 Packing: Reel Packing
 RoHS Compliant

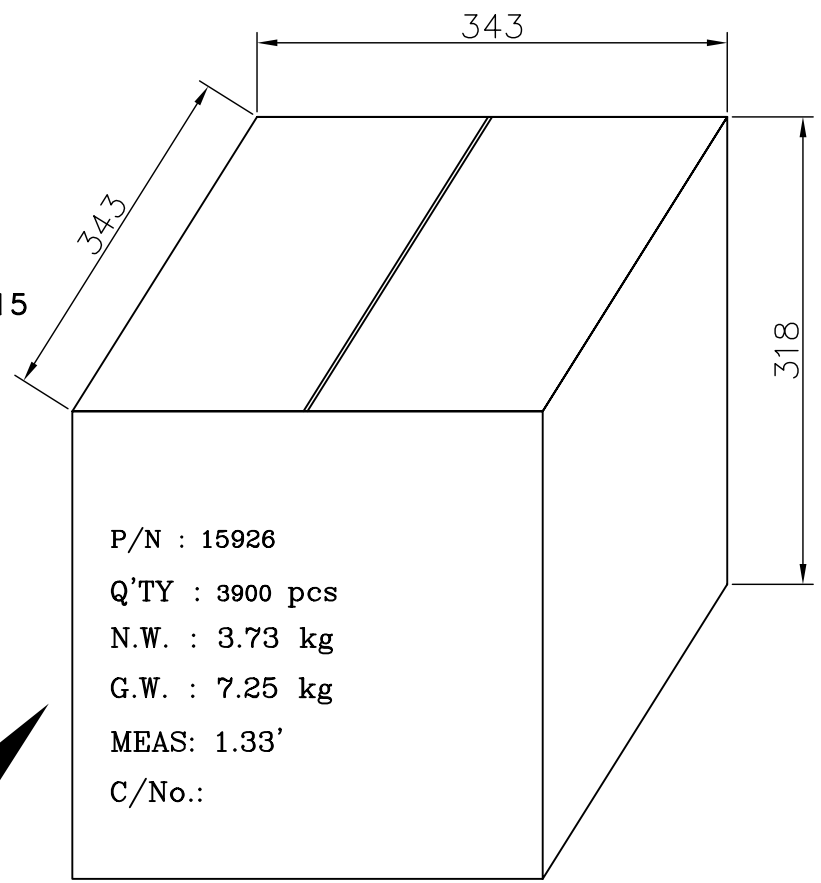
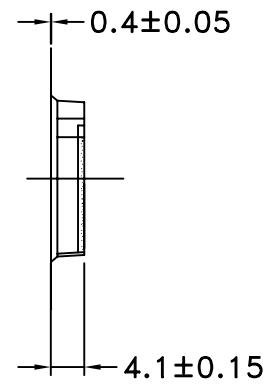
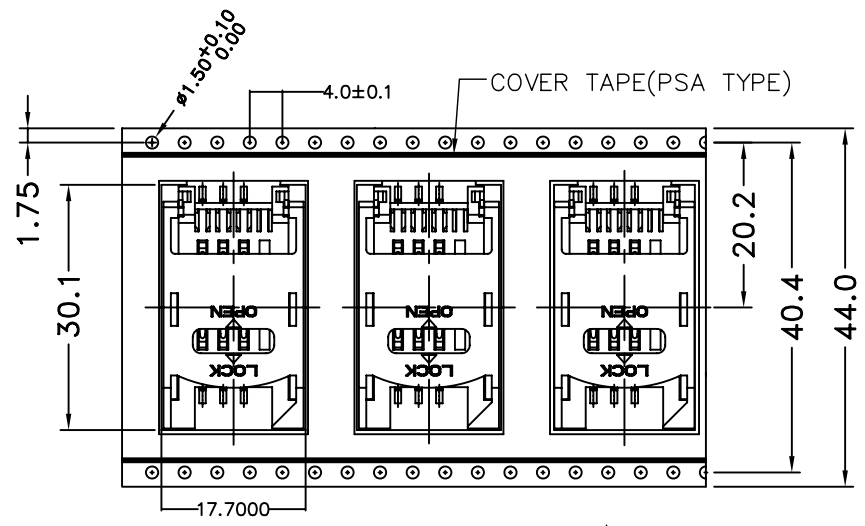


(.XX±0.05)
 REFERENCE PCB LAYOUT



4UCON 元化興業股份有限公司
 4UCON TECHNOLOGY INC.

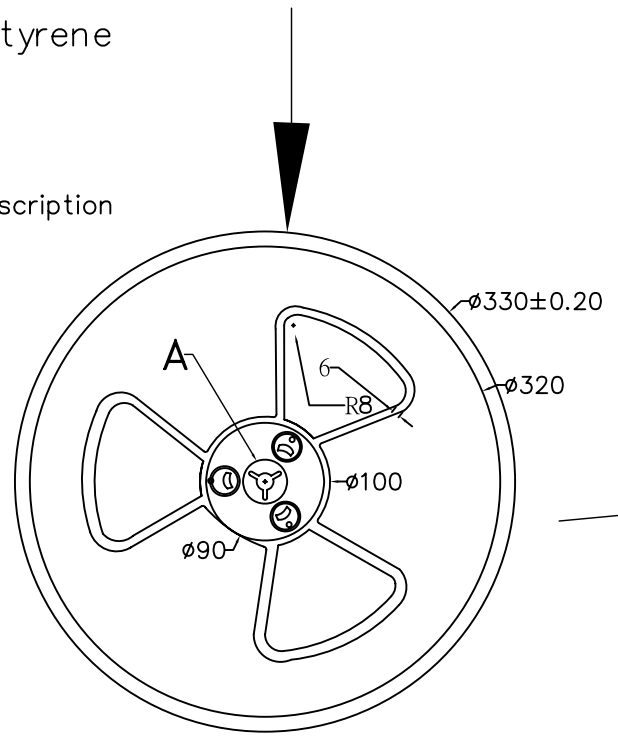
DRAWING No.		APPROVED BY		UNLESS OTHERWISE SPECIFIED					
15926		MEI		TOLERANCES ARE					
		CHECKED BY		.X ±0.38					
		LHC		.XX ±0.25					
		DRAWING BY		ANG. ±1°					
		XSH 02/03-2007							
SCALE	NONE	REV.	A0	UNIT	mm	△ A0	NEW RELEASE	XSH	02/03-2007
						NO.REV.	REVISIONS	CHK	DATE



P/N : 15926
 Q'TY : 3900 pcs
 N.W. : 3.73 kg
 G.W. : 7.25 kg
 MEAS: 1.33'
 C/No.:

- Note:
 1). 1REEL=650 PCS
 2). 1BOX=6 REEL

Polystyrene
 Packing material description
 Polystyrene



4UCON 元化興業股份有限公司
 4UCON TECHNOLOGY INC.

DRAWING No.		APPROVED BY		UNLESS OTHERWISE SPECIFIED TOLERANCES ARE					
15926		MEI		.X ±0.25					
		CHECKED BY		.XX ±0.10					
		LHC		ANG.					
		DRAWING BY		UNIT		△ A0	NEW RELEASE	XSH	02/03-2007
		XSH 02/03-2007		mm		NO.REV.	REVISIONS	CHK	DATE
SCALE	NONE	REV.	A0						