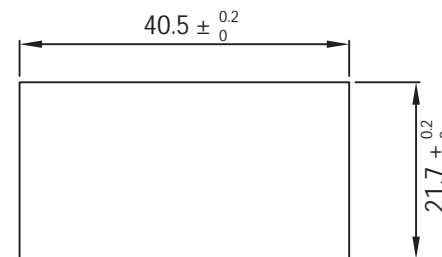
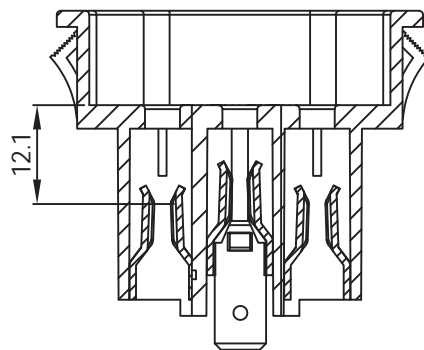
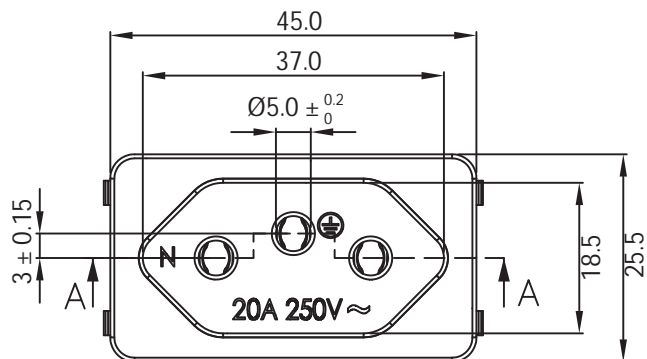
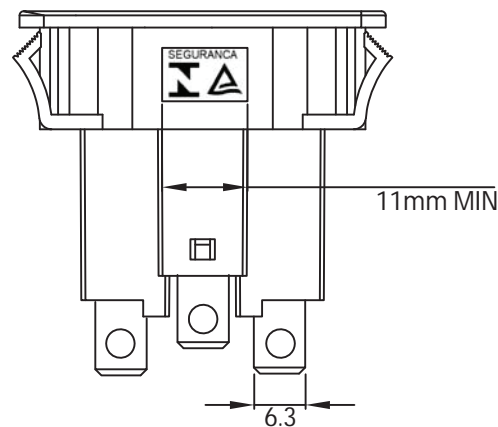
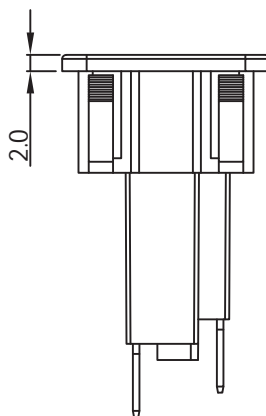
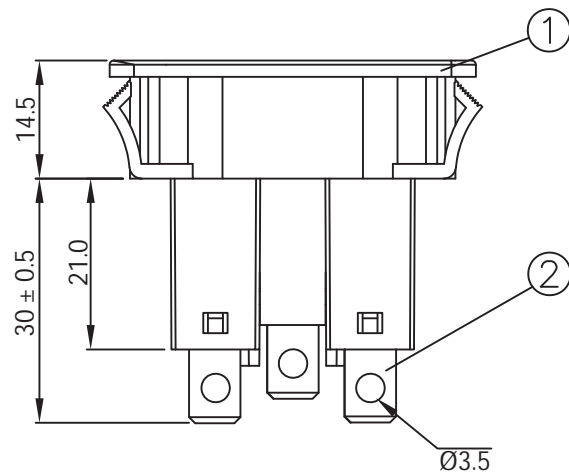


THESE DRAWINGS ARE THE PROPERTY OF QUALTEK ELECTRONICS AND NOT TO BE REPRODUCED FOR OR COMMUNICATED TO A THIRD PARTY WITHOUT THE EXPRESS WRITTEN PERMISSION OF AN OFFICER OF QUALTEK ELECTRONICS.

REVISION			
REV.	DESCRIPTION	DATE	APPROVED
B	Updated Terminal Specifications	01-10-22	LY



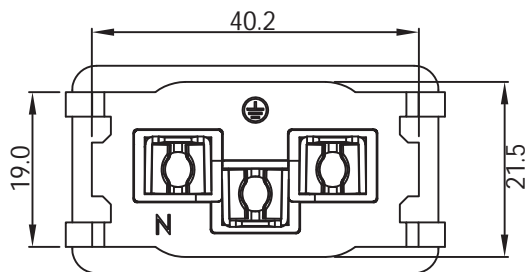
PANEL CUTOUT



NOTES:

BODY COLOR: BLACK
 RATING: 20A 250V AC
 APPROVALS: TUV
 PANEL THICKNESS: 1.0mm ~ 2.0mm
 RoHS COMPLIANT

CONTROLLED



2	Contact PIN Brass Strip t=0.8mm	3
1	Body Nylon Black Color	1

Dim range (mm)	Tolerance +/- (mm)	Qualtek Electronics Corp. PPC DIVISION		
		Part Number:	741W-J/02	RoHS Compliant
0-1	0.15	Description: BRAZIL AC RECEPTACLE		
1-6	0.20			
6-18	0.30			
18-50	0.50			
50-120	0.70	UNIT: mm		
120-250	0.90	Drawn / Date	Checked / Date	Approved / Date
250-500	1.20	R.Nuti 09-28-20	09-28-20	LY / 09-28-20