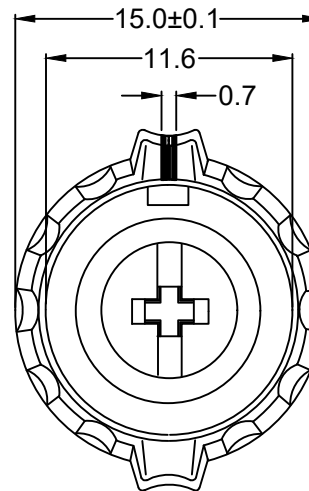
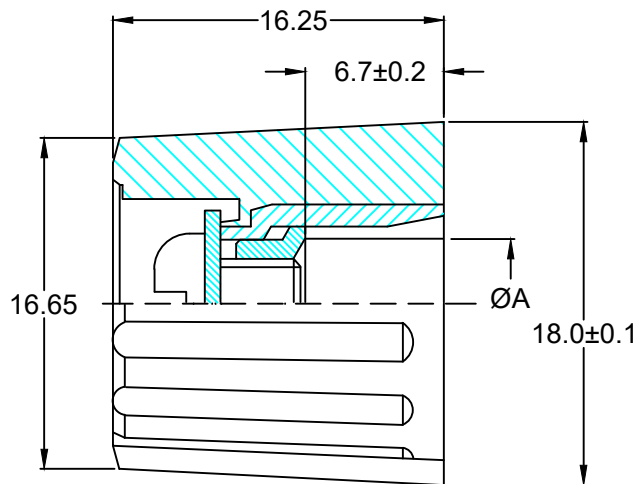


MATERIAL AND FINISH

Knob: Polyamide, Matte finish
 Collet, Sleeve & nut: Brass 58

RoHS
 COMPLIANT



ORDERING CODE:

29-15-XX X
 1 2

1) SHAFT DIAMETER (A)

- 30 = 3mm
- 31 = 1/8"
- 40 = 4mm
- 60 = 6mm
- 61 = 1/4"

2) COLOR (SEE CHART)

P/N	COLOR
29-15-XX1	LIGHT GRAY
29-15-XX2	GRAY
29-15-XX3	BLACK
29-15-XX4	RED

<p>TOLERANCE UNLESS OTHERWISE SPECIFIED X ± 1 X.X ± 0.4 X.XX ± 0.20</p>	
DRAWN BY: PB	DATE: 10/26/10
CHECK BY:	DATE:
APPR BY:	DATE:

Power Dynamics, Inc.
 Phone: 973 560-0019 Whippany, New Jersey Fax: 973 560-0076

PART: 15mm WING KNOB; WITH LINE
MATTE FINISH

29-15-XXX

SCALE: NTS

ALL DIMENSIONS FOR REFERENCE ONLY
 DIMENSIONS ARE IN MILLIMETERS

SHEET 1 of 1

REVISIONS	CHANGE	CHK	CHK	APPR
REV	DATE			