

P	LTR	DESCRIPTION	DATE	DWN	APVD
B		ECR-16-001983	18MAY2016	GCM	JB
C		ECR-16-014579	25APR2017	GCM	JB
C1		ECR-20-002488	18SEP2020	SB	MKO
C2		ECR-21-123464	04MAR2022	RK	JB


Notes

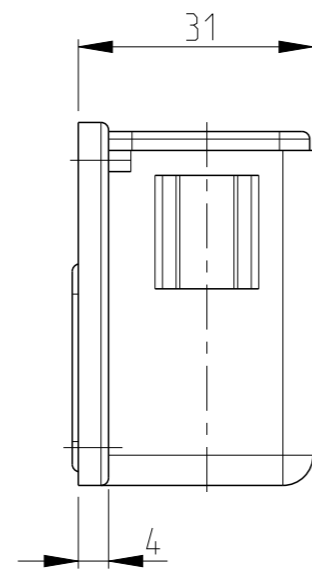
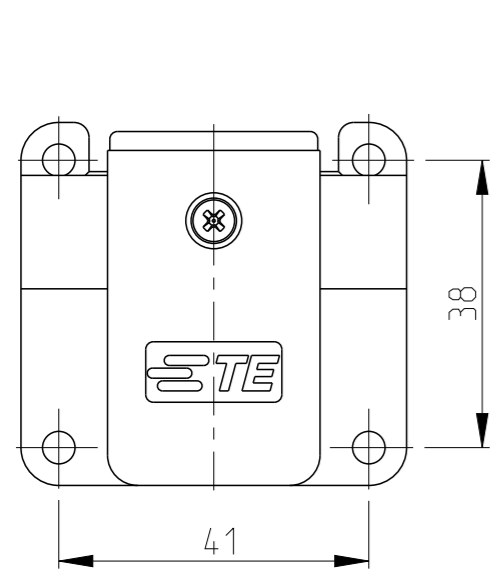
- 1 SUITABLE HOUSINGS: SERIES HIP, SIZE 1
CUSTOMER DRAWING 1102600, 1106408, 1106200
- 2 STANDARDS:
DIN EN 61984, DIN EN 60664-1
- 3 PN 0-3 WITHOUT PROFILE SEAL ON CONNECTING SIDE
- 4 TOOL:
PHILLIPS SCREWDRIVER PH1.
- 5 VARNISH ON INSIDE AREA NOT NECESSARY
- 6 PACKAGING:
10 SETS IN A CARTON,
- 7 OBSOLETE PARTS: OBSOLETE CIS STREAMLINING PER
D.RENAUD/D.SINISI

⁷ OBSOLETE	0-1102602-3	HIP-K.3/4.SGF.SO
⁷ OBSOLETE	0-1102602-1	HIP-K.3/4.SGF.GELB
	2-1102602-5	HIP-K.3/4.SGF
⁷ OBSOLETE	1-1102602-5	HIP.3/4.SGF
	PART NO.	ORDERING TEXT

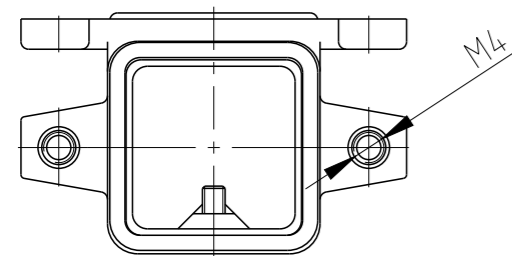
³ OBSOLETE	⁷ OBSOLETE		⁷ OBSOLETE	DESCRIPTION	MATERIAL	COLOR/SURFACE	NOTE	ITEM
		1	1	O - RING	NBR	BLACK	3.0x1.0	7
		1	1	SCREW COUNTERSUNK RAISED HEAD	STAINL. STEEL V2A	-	M3x8 PH1 DIN EN ISO 7047	6
		1	2	PROFILE SEAL	FKM	BLACK	SERIES EMV / HIP	5
		-	-	ANGLED BULKHEAD HOUSING	ALU	YELLOW	SERIES HIP-K	3
		1	-	ANGLED BULKHEAD HOUSING	ALU	BLACK	SERIES HIP-K	2
		-	1	ANGLED BULKHEAD HOUSING	ALU	GREY	SERIES HIP	1
0-3	0-1	2-5	1-5					
PN/QTY								

PARTS LIST (PER ONE UNIT)

THIS DRAWING IS A CONTROLLED DOCUMENT.		DWN V.GLUMM 19AUG2009	 TE Connectivity NAME ANGLD BULKHEAD HOUSING ASS'Y BOTTOM ENTRY, SERIES HIP, SIZE 1	
DIMENSIONS: mm		CHK H.Braun 19AUG2009		
TOLERANCES UNLESS OTHERWISE SPECIFIED:		APVD T.Schnurpfeil 19AUG2009		
0 PLC ± 1 PLC ± 2 PLC ± 3 PLC ± 4 PLC ± ANGLES ±1°		PRODUCT SPEC -		
MATERIAL		FINISH	APPLICATION SPEC -	SIZE A3
			WEIGHT -	CAGE CODE 00779
				DRAWING NO C=1102602
				RESTRICTED TO
				SCALE 1:1
				SHEET 1 OF 1
				REV C2



PN 1-5 AS SHOWN



PANEL-CUT-OUT

