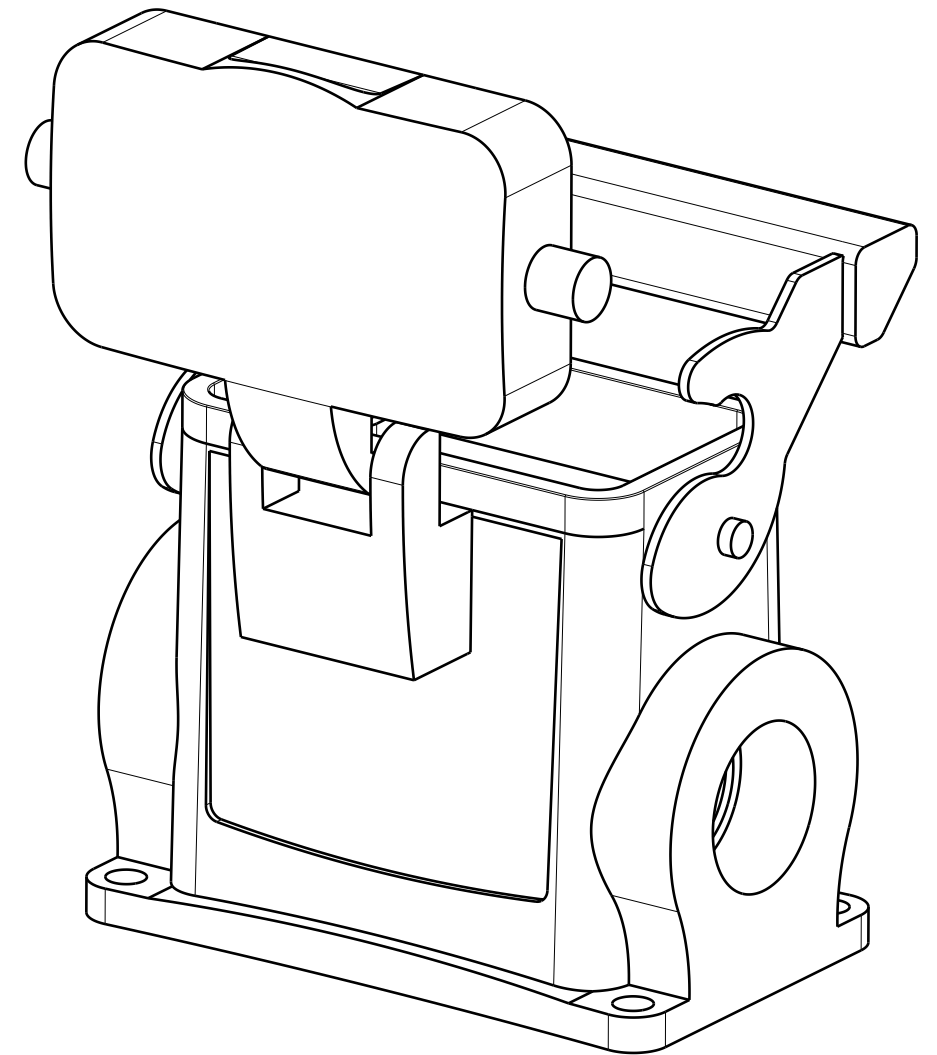
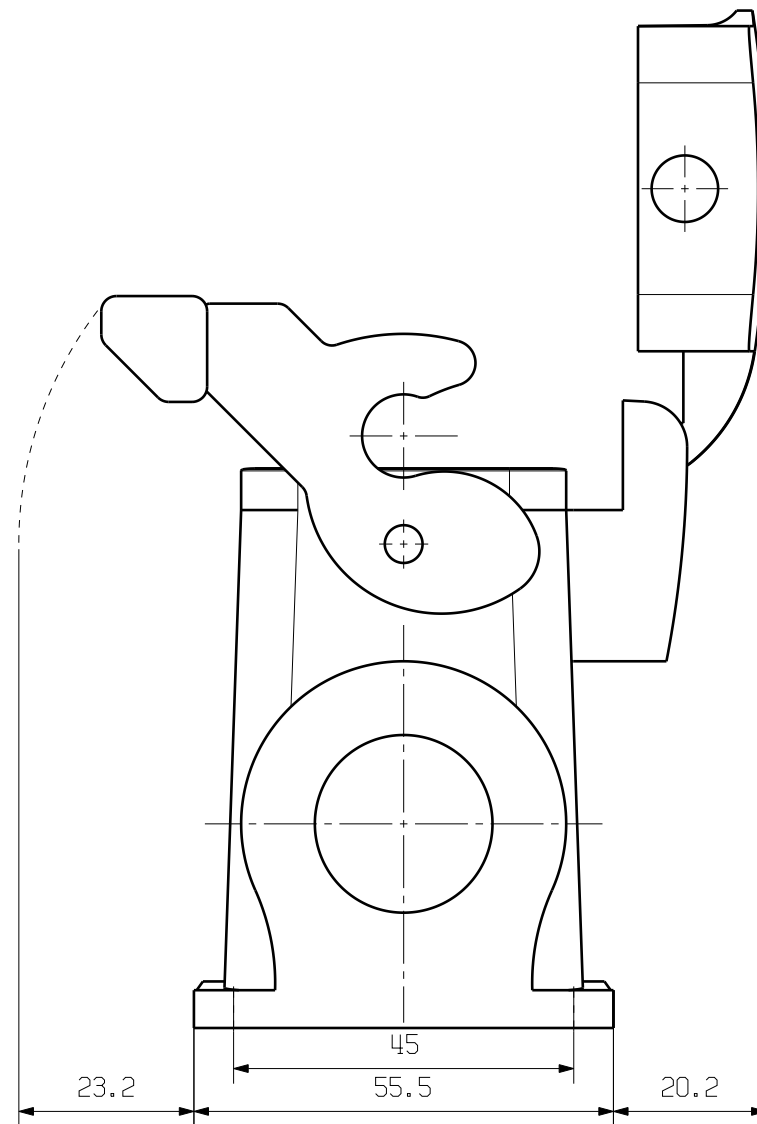
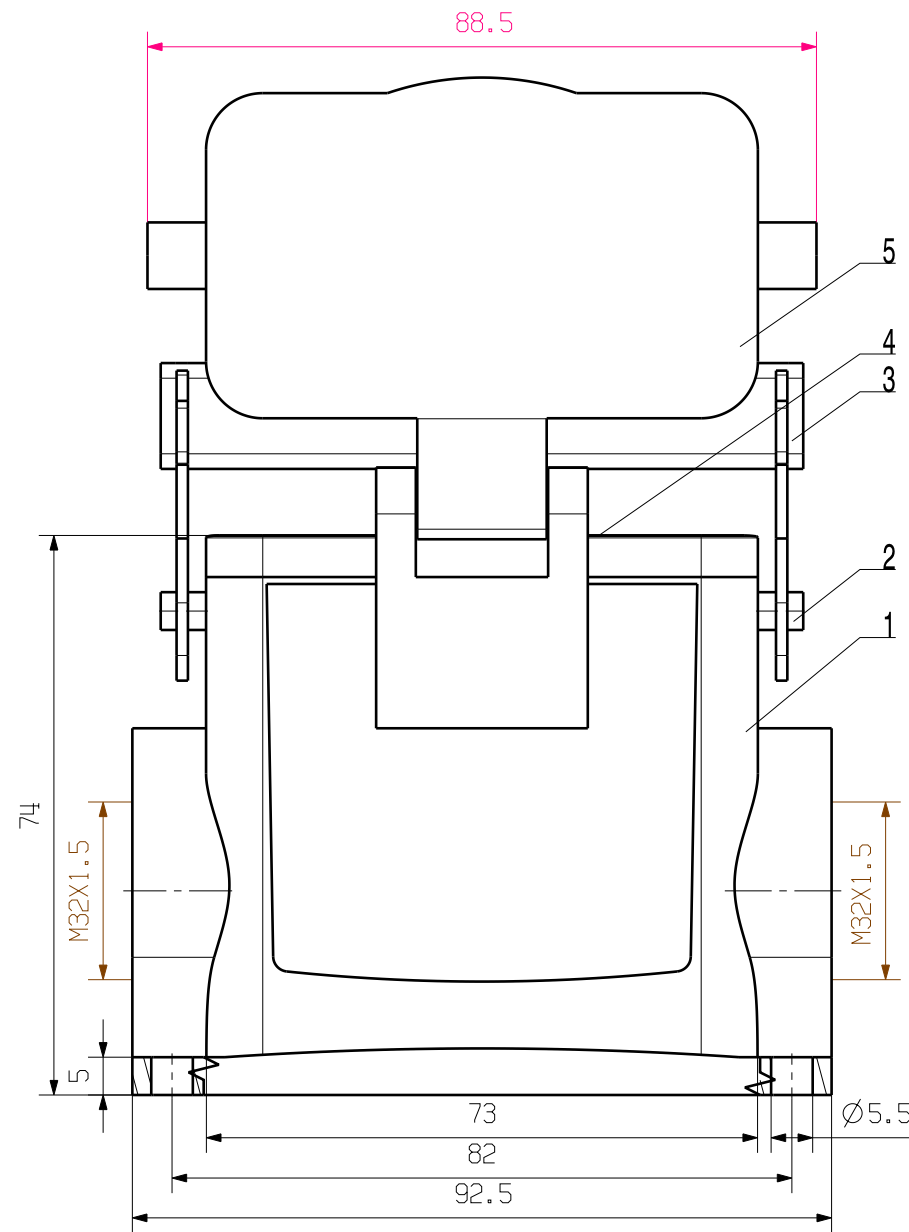


MASSE OHNE TOLERANZ SIND KEINE PRUEFMASSE  
 DIMS. WITHOUT TOLERANCE ARE NOT CONTROL DIMS.

WEITERGABE SOWIE VERVIELFÄLTIGUNG DIESER DOKUMENTS, VERWERTUNG UND MITTEILUNG SEINES INHALTS SIND VERBOTEN, SOWEIT NICHT AUSDRUECKLICH GESTATET.  
 ZUWIDERHANDLUNGEN VERPFLICHTEN ZU SCHADENERSATZ. ALLE RECHTE FUER DEN FALL DER PATENT-, GEBRAUCHSMUSTER- ODER GESCHMACKSMUSTEREINTRAGUNG VORBEHALTEN.  
 THE REPRODUCTION, DISTRIBUTION AND UTILIZATION OF THIS DOCUMENT AS WELL AS THE COMMUNICATION OF ITS CONTENTS TO OTHERS WITHOUT EXPLICIT AUTHORIZATION IS PROHIBITED.  
 OFFENDERS WILL BE HELD LIABLE FOR THE PAYMENT OF DAMAGES. ALL RIGHTS RESERVED IN THE EVENT OF THE GRANT OF A PATENT, UTILITY MODEL OR DESIGN.



5	COVER	ALUMINIUM WITH POWDER COATING
4	SEALING	NBR
3	LOCKING	STAINLESS STEEL
2	LOCKING BOLTS	STAINLESS STEEL
1	BASE HOUSING	ALUMINIUM WITH POWDER COATING
ROHSTOFF-NR. R.PART NO.	TYP PART NAME	WERKSTOFF MATERIAL

MAX. NRN./NOS. ?		CAT.NO.: 1787410000	
MODIFICATION		DRAWING NO. ISSUE NO.	
Weidmüller		HDC 24D SDLU 2M32G	
SCALE: 1/1		SOCKELGEHAEUSE	
SUPERSEDES:		BASE HOUSING	
SUPERSEDED BY:		PRODUCT FILE:	
DRAWN	DATE	NAME	
RESPONSIBLE	04.11.2005	LIU_F	
CHECKED	30.11.2005	ZHNAG_T	
APPROVED			