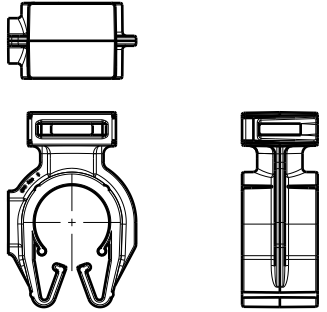
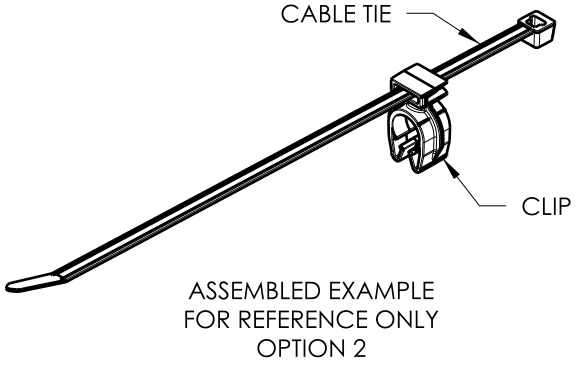
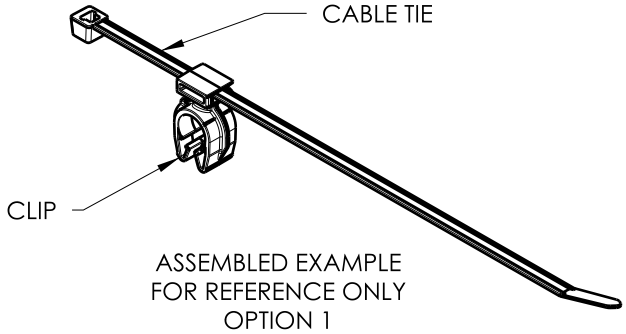
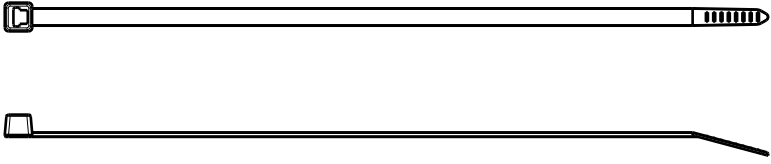


Revision Level			Revision Record	Changed	Date	Approved	Date
Drawing	State	Part					
00.0	Design Release	-	SEE ECN# 014730	TAT	11/5/2018	EJH	11/5/2018



MOC10SAD
DELIVERY CONDITION: UNASSEMBLED SET
SCALE 1:1



T50R
DELIVERY CONDITION: UNASSEMBLED SET

TYPE	SUGGESTED DIAMETER RANGE*
HARNESS	10.0MM-11.5MM
HOSE	9.5MM-11.5MM
HARD PIPE/TUBE	10.0MM-11.5MM

*RECOMMENDED SIZES MAY DIFFER DEPENDING ON THE APPLICATION, PRODUCT REQUIREMENTS AND MATERIALS USED

**PATENT PENDING 29/582,271

GLOBAL PART DESCRIPTION	BUNDLE RANGE	CABLE TIE			CLIP**		
		DRAWING	MATERIAL	COLOR	DRAWING	MATERIAL	COLOR
T50RMOC10SAD-SET-PA66HIRHSUV-BK	4 TO 50	CT2050007CST	PA66HIRHSUV	BLACK	16-0318-008-CSU	PA66HIRHSUV	BLACK

Material
SEE CHART
COLOR: SEE CHART

Units millimeters
Tolerance defined on each dimension

The copyright of this drawing is reserved by HellermannTyton. It is issued on condition that it is not reproduced, copied or disclosed to a third party, either wholly or in part, without the consent of HellermannTyton.

Drawn TAT 11/5/2018
Approved EJH 11/5/2018

HellermannTyton

North America
Email: corp@htamericas.com
Web: www.hellermann.tyton.com

Article/Type-No T50RMOC10SAD
Title 10MM (7/16") MOC WITH T50R CABLE TIE
Drawing-No PRODUCTION : Phase
16-0318-108-CSU

Scale 1:2
Project Number 16-0318
Format AH
Sheet 1/1