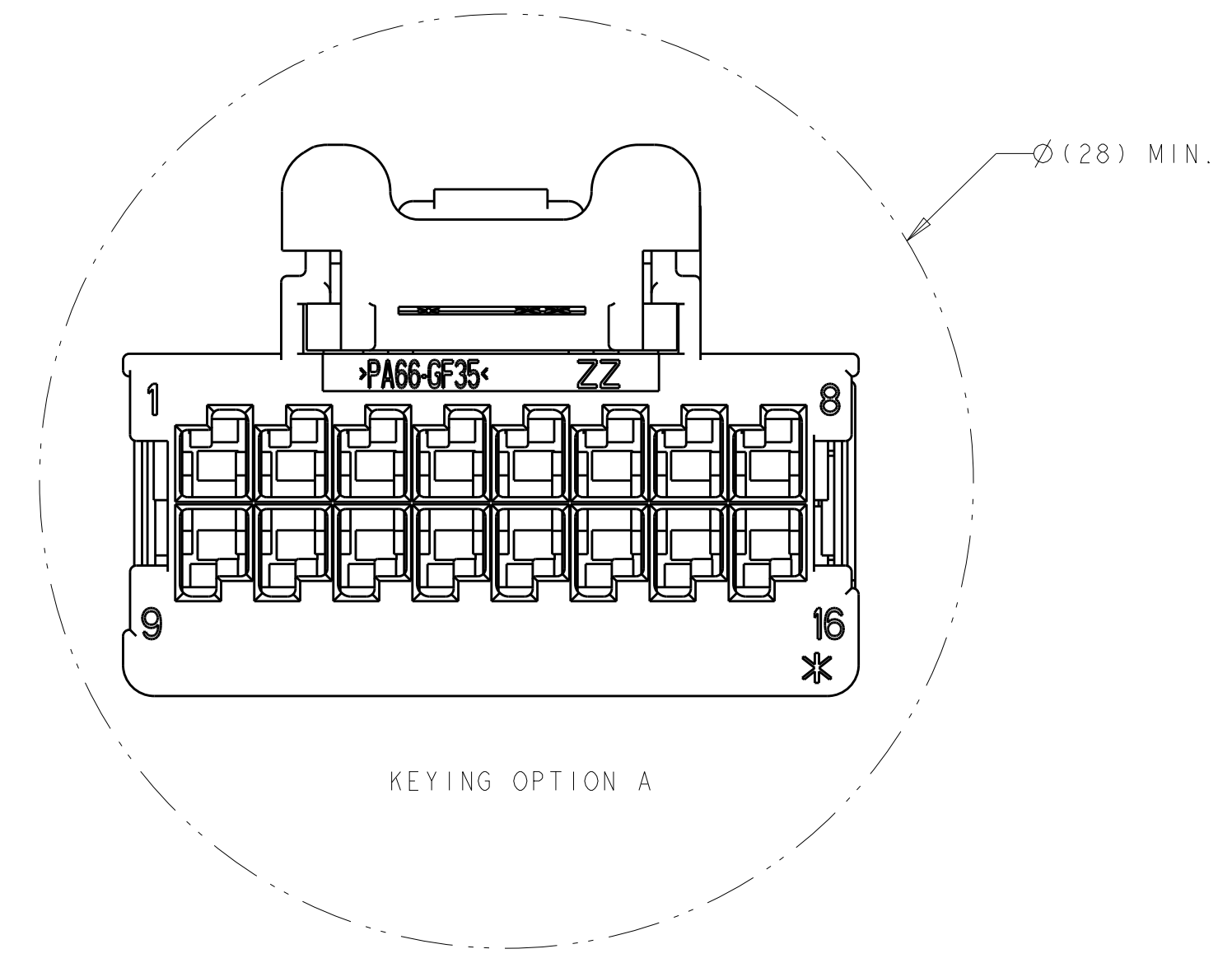
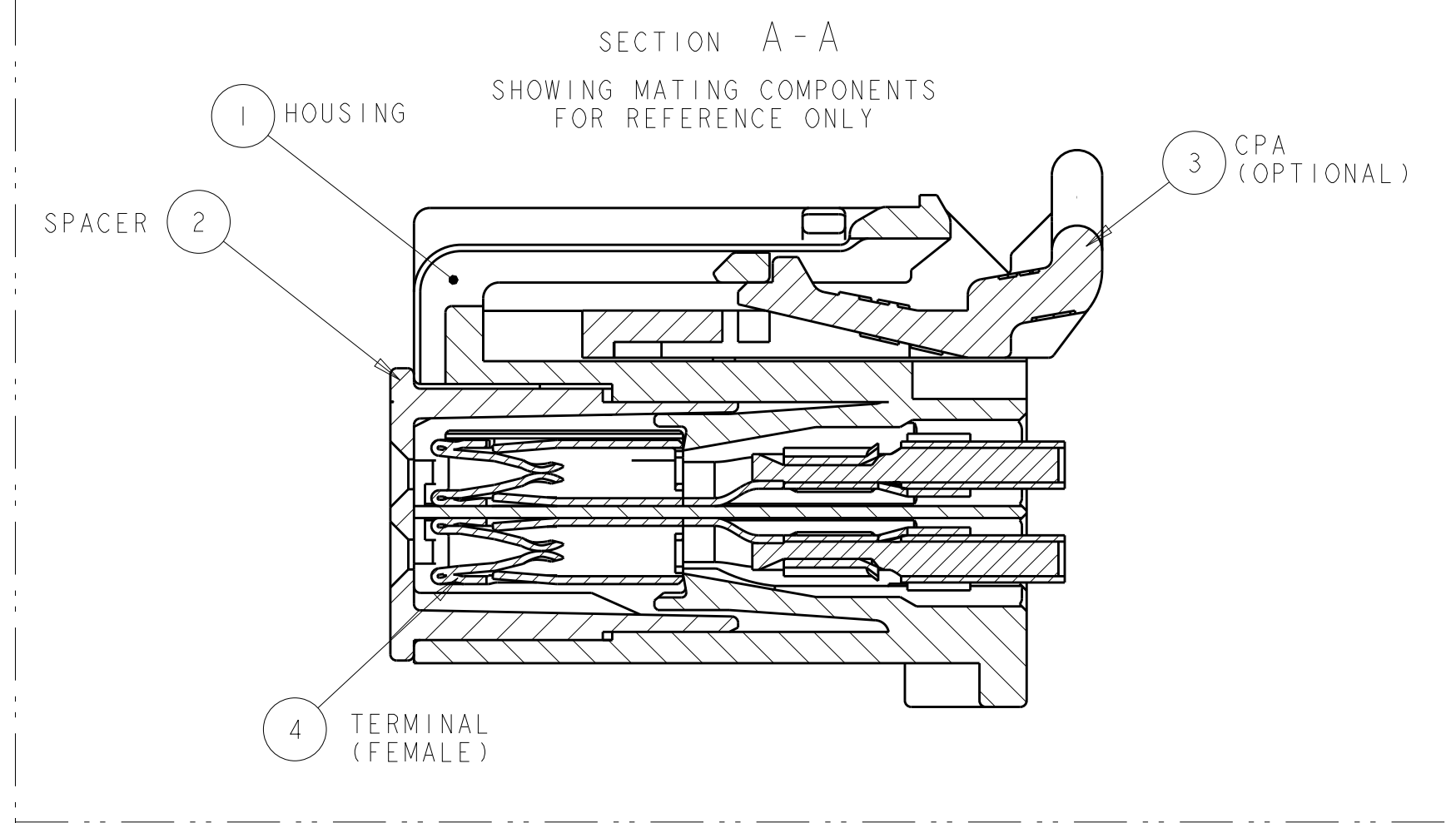
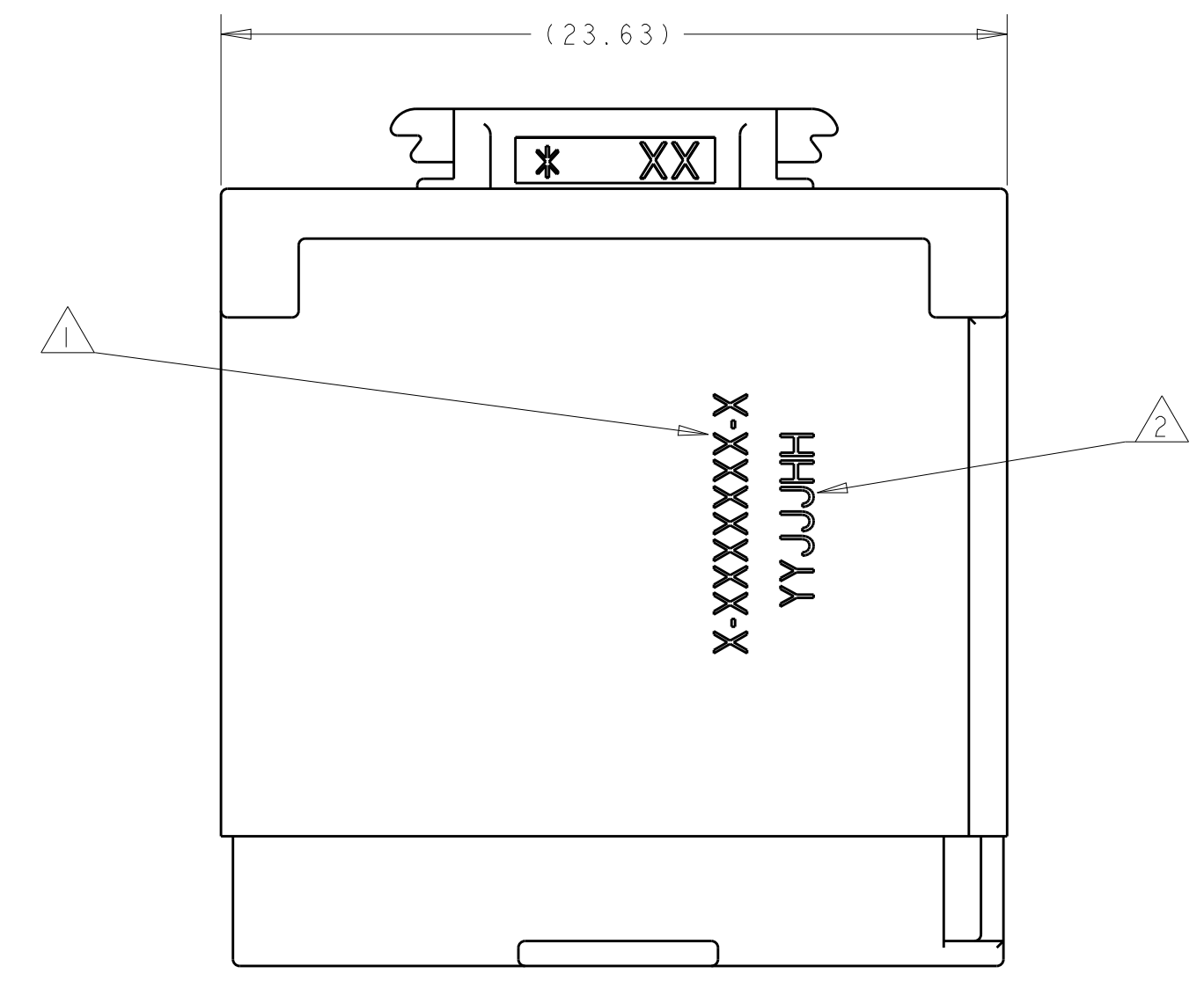
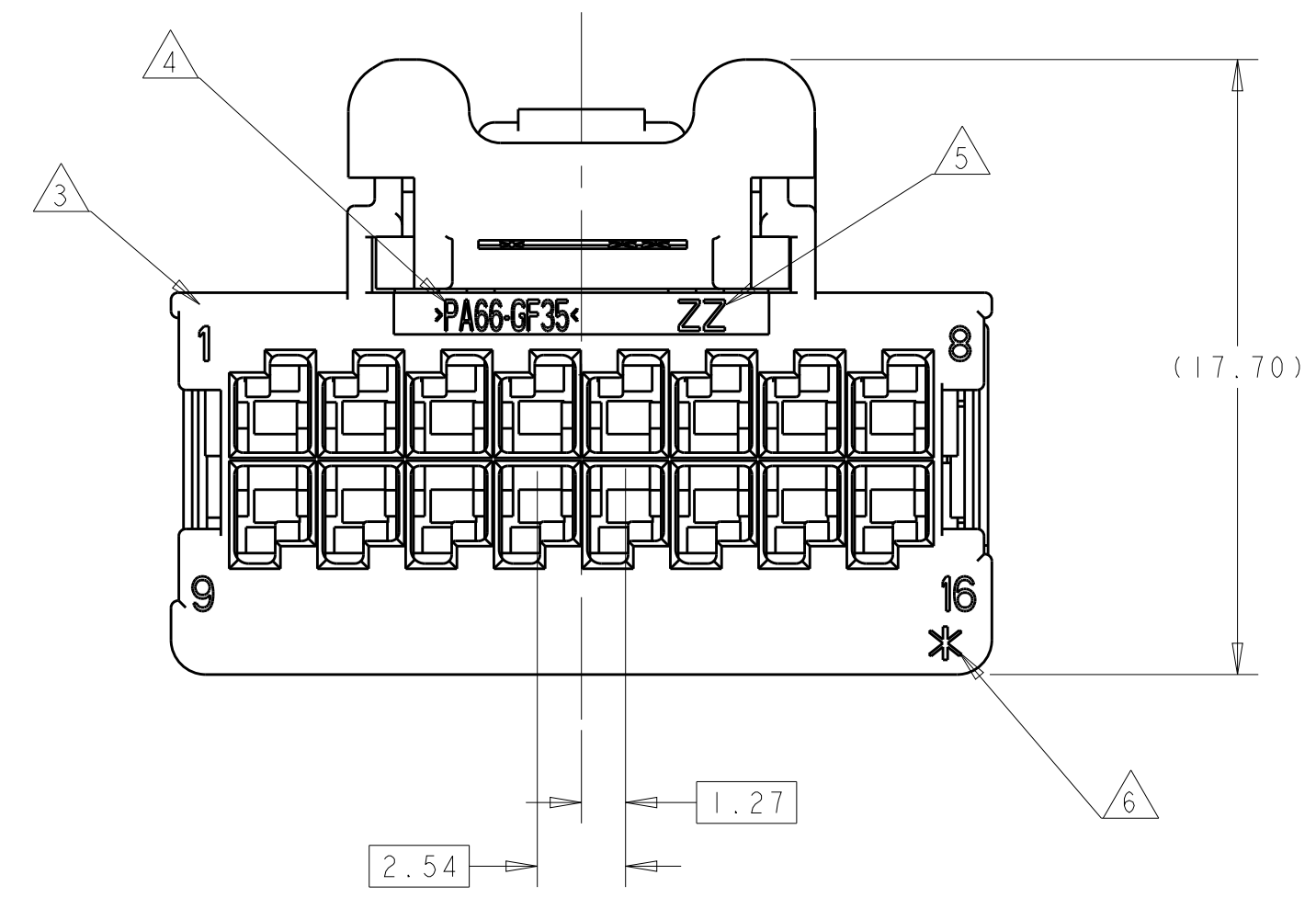


ASSEMBLY WITH CPA



REVISIONS				
P	LTN	DESCRIPTION	DATE	APVD
C		REVISED PER ECR-07-016022	30JUL2007	DLD DCS
C1		REVISED PER ECO-13-019739	06JAN2014	DD RL
C2		REVISED PER ECO-19-015741	22OCT2019	JMS CM

- 1 TE CONNECTIVITY ASSY PART-NO. ACCORDING TO TABLE, LASER PRINTED, WHITE INK PERMITTED AS ALTERNATIVE.
- 2 DATE CODE, FORMAT, YY=YEAR JJJ=DAY HH=HOUR, LASER PRINTED, WHITE INK PERMITTED AS ALTERNATIVE. SINGLE DIGIT HOUR NOTE ACCEPTABLE.
- 3 TERMINAL CAVITY ID.
- 4 MATERIAL ID.
- 5 MOLD CAVITY ID.
- 6 TE LOGO.
- 7 KEY "A" NOT RECOMMENDED FOR NEW APPLICATIONS.
- 8. PACKING: PARTS BULK PACKED IN CARDBOARD BOX.

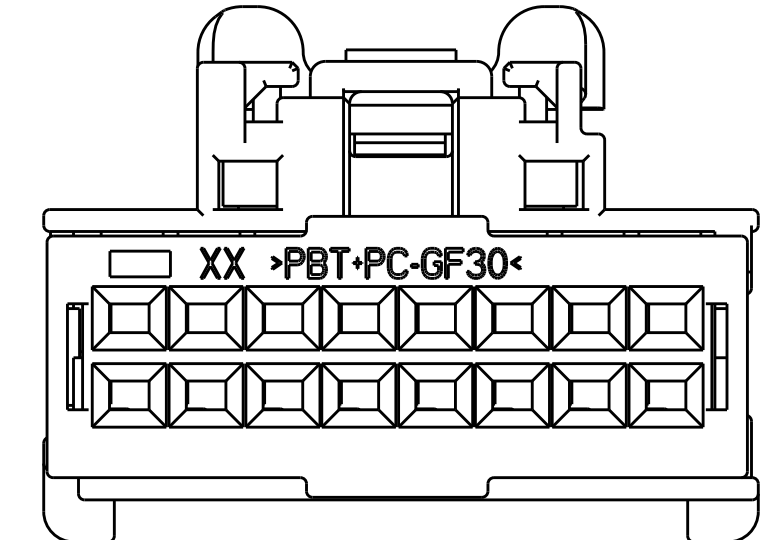
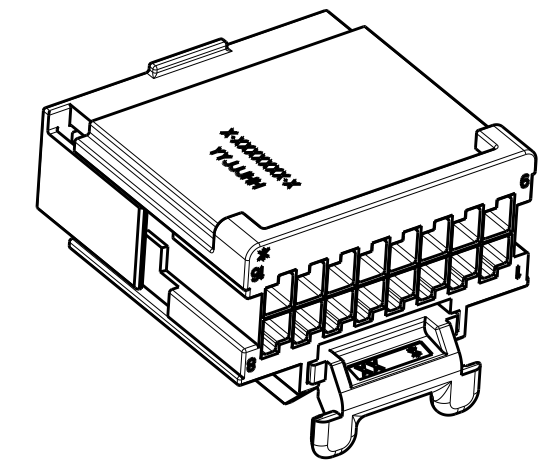
1456989-7	1456989-6	1456989-5	1456989-4	1456989-3	1456989-2	1456989-1	<----- ASSEMBLY PN				
-	-	-	-	-	I	-	CPA	PBT-GF20	RED	3	
I	I	I	I	I	I	I	SPACER	PBT+PC-GF30	RED	2	
I	-	-	-	-	-	-	HOUSING; KEY F	PA66-GF35	BLACK	I	
-	I	-	-	-	-	-	HOUSING; KEY E	PA66-GF35	BLACK	I	
-	-	I	-	-	-	-	HOUSING; KEY D	PA66-GF35	BLACK	I	
-	-	-	I	-	-	-	HOUSING; KEY C	PA66-GF35	BLACK	I	
-	-	-	-	I	-	-	HOUSING; KEY A	PA66-GF35	LT. GREY	I	
-	-	-	-	-	I	I	HOUSING; KEY A	PA66-GF35	BLACK	I	
							DESCRIPTION	MATERIAL	COLOR	ITEM NO	
QTY REQ'D PER ASSY							REVISION OF EACH ASSY NO (WHEN BLANK, USE DWG REVISION)				
							WEIGHT OF EACH ASSY NO (g)				

**PARTS LIST**

THIS DRAWING IS A CONTROLLED DOCUMENT.		DWN: R. VESTAL 30OCT2006	<b>TE</b> TE Connectivity
DIMENSIONS: mm		CHK: D. STRAUSSER 30OCT2006	
TOLERANCES UNLESS OTHERWISE SPECIFIED:		APVD: D. STRAUSSER 30OCT2006	<b>2X8 POSITION, GET FEMALE CONNECTOR UNSEALED ASSEMBLY</b>
0 PLC ±		PRODUCT SPEC	
1 PLC ±		APPLICATION SPEC	SIZE: CAGE CODE DRAWING NO
2 PLC ±		WEIGHT	RESTRICTED TO
3 PLC ±		CUSTOMER DRAWING	A100779C=1456989
4 PLC ±		SCALE: 5:1	SHEET 1 OF 2
ANGLES ±			REV: C2
FINISH			

REVISIONS				
P.	LTN	DESCRIPTION	DATE	APVD
-	SEE SHEET 1			

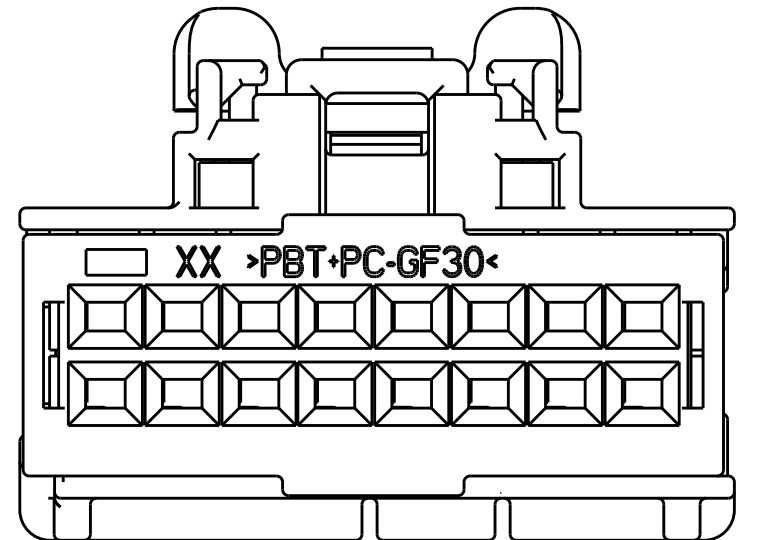
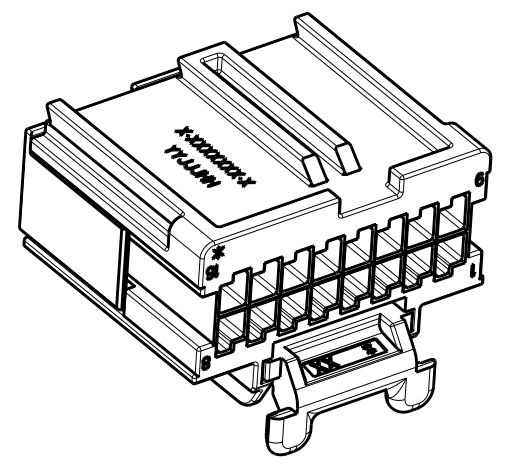
KEYING OPTION A



4:1

(SHOWN WITH CPA)

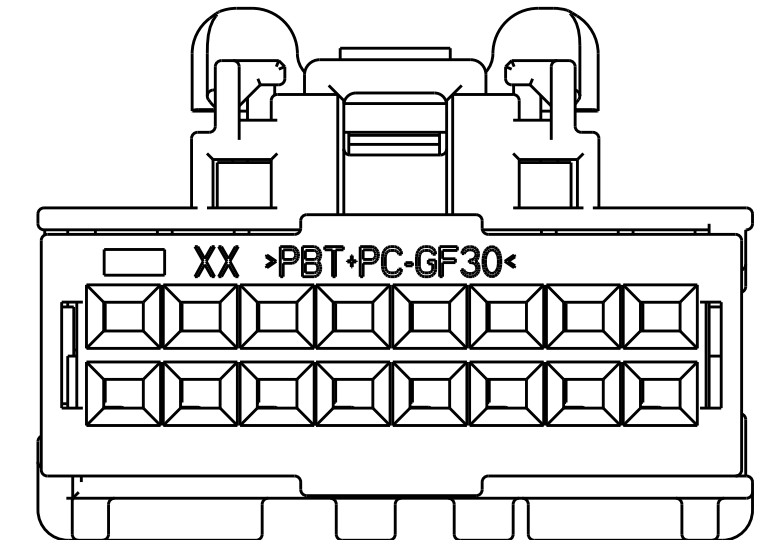
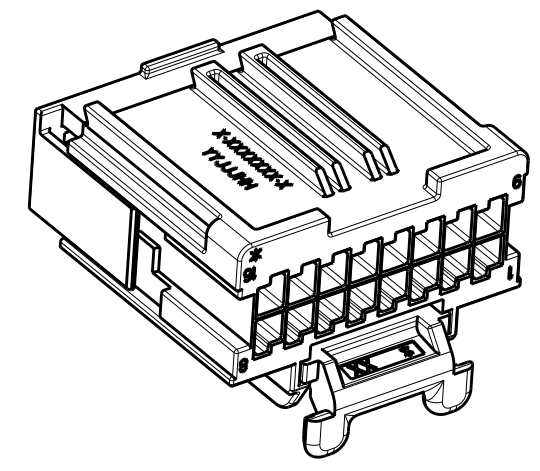
KEYING OPTION C



4:1

(SHOWN WITH CPA)

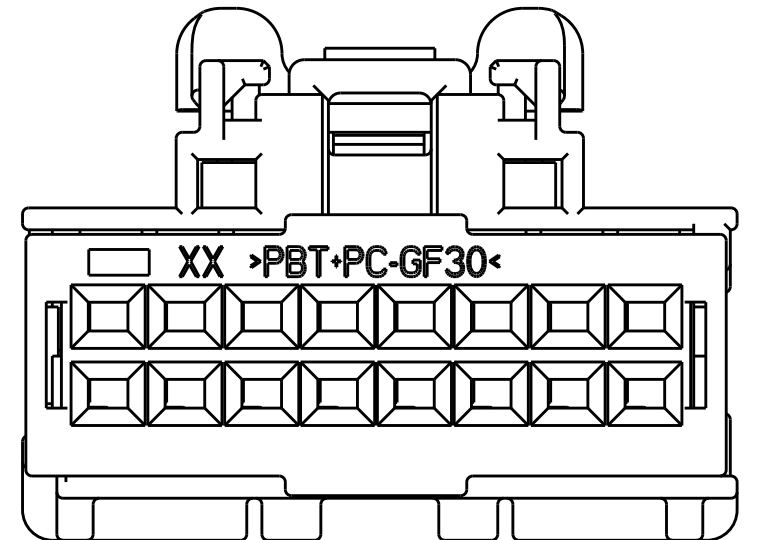
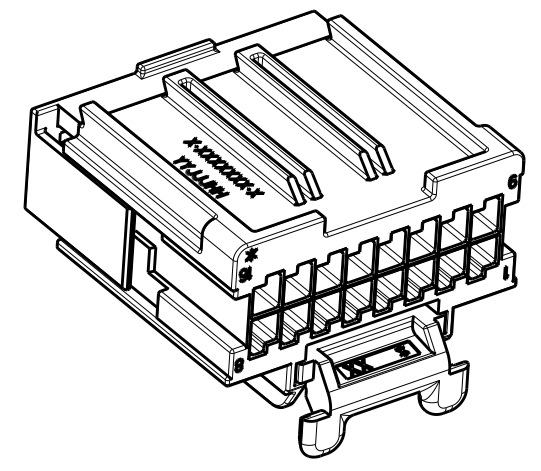
KEYING OPTION D



4:1

(SHOWN WITH CPA)

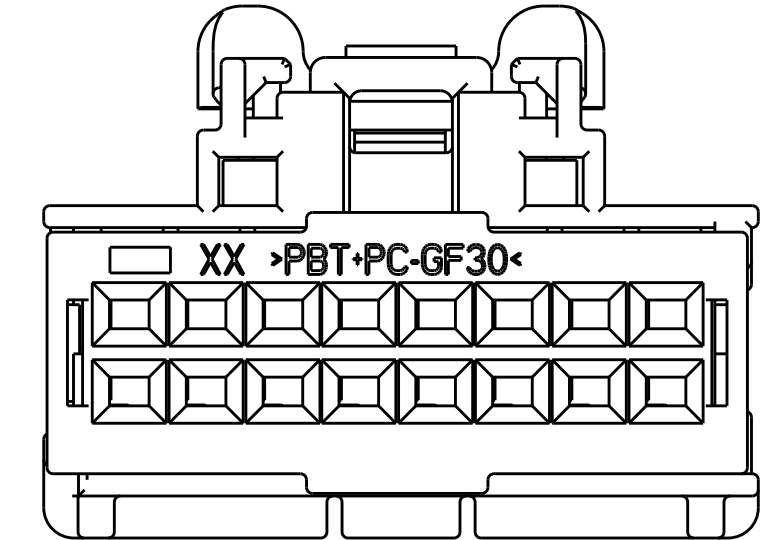
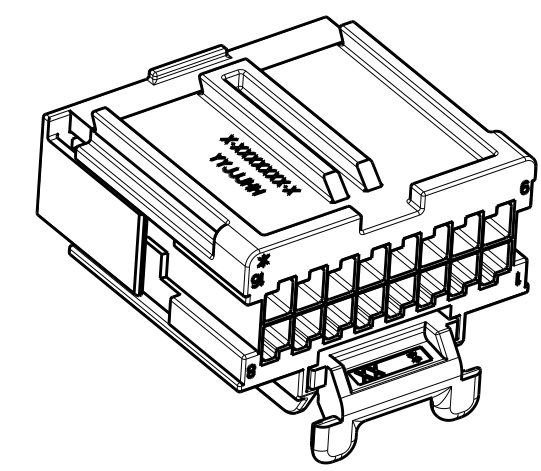
KEYING OPTION E



4:1

(SHOWN WITH CPA)

KEYING OPTION F



4:1

(SHOWN WITH CPA)

THIS DRAWING IS A CONTROLLED DOCUMENT.		DWN: R. VESTAL 30OCT2006	
DIMENSIONS: mm		CHK: D. STRAUSSER 30OCT2006	
		TOLERANCES UNLESS OTHERWISE SPECIFIED:	NAME: 2X8 POSITION, GET FEMALE CONNECTOR UNSEALED ASSEMBLY
MATERIAL: SEE TABLE		APVD: D. STRAUSSER 30OCT2006	SIZE: A   00779   C=1456989
		PRODUCT SPEC:	RESTRICTED TO:
		APPLICATION SPEC:	SCALE: 5:1 SHEET 2 OF 2 REV: C2
		ANGLES:	CUSTOMER DRAWING
		FINISH:	
		WEIGHT:	