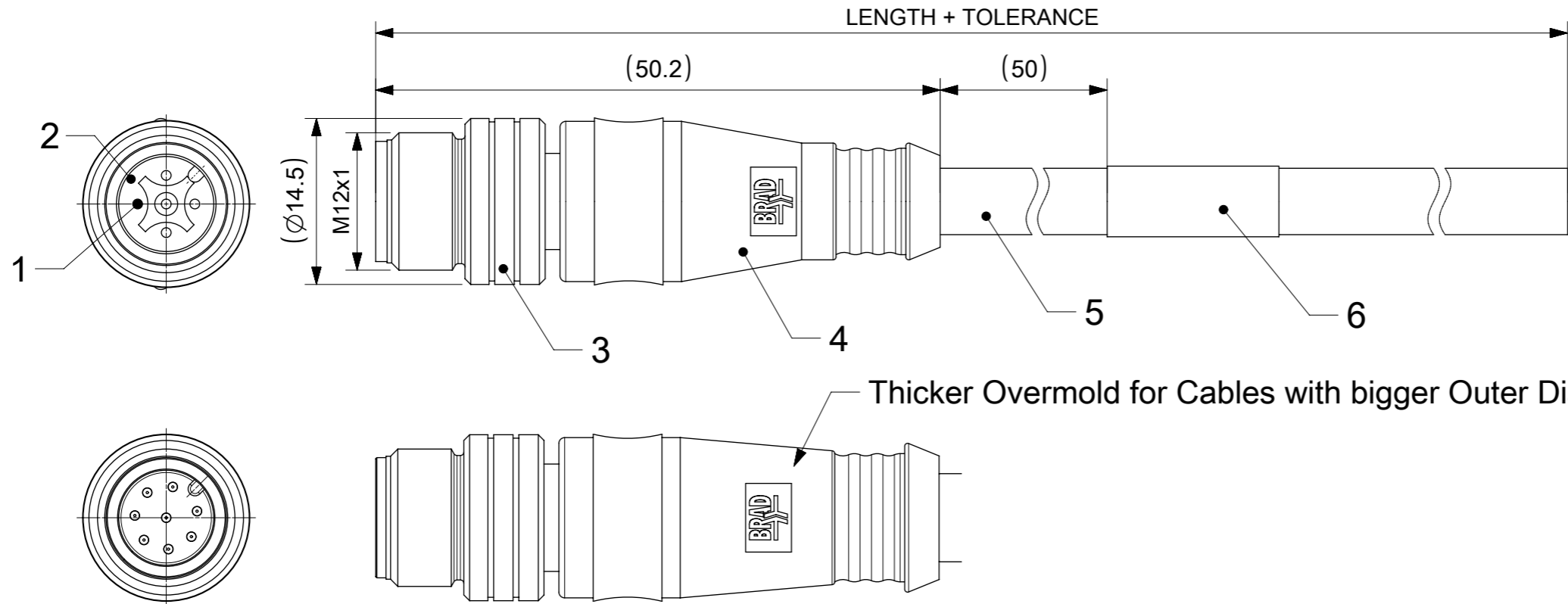


MALE PLUG M12 STRAIGHT



NOTES:
 RATED VOLTAGE: 3, 4 contacts 250V
 5 contacts 60V
 8 contacts 30V
 RATED CURRENT: 3, 4, 5 contacts 4A
 8 contacts 2A
 PROTECTION CLASS: IP 67
 TEMPERATURE: -25°C / +85°C

CONTACTS POSITION FRONT VIEW:

3 CONTACTS		4 CONTACTS		5 CONTACTS		8 CONTACTS	
PIN	WIRE	PIN	WIRE	PIN	WIRE	PIN	WIRE
1	BROWN	1	BROWN	1	BROWN	1	WHITE
2	---	2	WHITE	2	WHITE	2	BROWN
3	BLUE	3	BLUE	3	BLUE	3	GREEN
4	BLACK	4	BLACK	4	BLACK	4	YELLOW
5	---	5	---	5	GREY	5	GREY
						6	PINK
						7	BLUE
						8	RED
SHIELD CONNECTED TO THE COUPLING NUT							
CODING REQUIRED TO IEC 61076-2-101							

FOR OPTIONS SEE - NUMERICAL CODE - ON SHEET 2

6	1	LABEL YELLOW	VINYL	---
5	-	CABLE	SEE SHEET 2	---
4	-	OVERMOLDING (SEE SHEET 2)	TPU	---
3	1	COUPLING NUT MALE	SEE SHEET 2	---
2	1	INSERT MALE BLACK	PUR	---
1	3 / 4 / 5 / 8	CONTACT M12 MALE	BRASS	SELECTIVE Au OVER Ni
ITEM	QTY.	DESCRIPTION	MATERIAL	FINISH

THIS DRAWING CONTAINS INFORMATION THAT IS PROPRIETARY TO MOLEX ELECTRONIC TECHNOLOGIES, LLC AND SHOULD NOT BE USED WITHOUT WRITTEN PERMISSION

DIMENSION UNITS: mm SCALE: 2:1

GENERAL TOLERANCES (UNLESS SPECIFIED)

ANGULAR TOL ± °

4 PLACES ±

3 PLACES ±

2 PLACES ±

1 PLACE ±

0 PLACES ±

DRAFT WHERE APPLICABLE MUST REMAIN WITHIN DIMENSIONS

THIRD ANGLE PROJECTION

DRAWING: A3-SIZE

SERIES: 120010

MATERIAL NUMBER: SEE TABLE

CUSTOMER: GENERAL MARKET

SHEET NUMBER: 1 OF 3

EC NO: 732259
 DRWN: AKONDRACIUK 2017/07/12
 APPR: DSTACHOWIAK 2017/07/17

CURRENT REV DESC: REMOVED OBSOLETE PART NUMBER AS PER PCN#512871.

2022/12/14
 2022/12/21
 2022/12/21

INITIAL REVISION:

DOCUMENT NUMBER: 1200100015

DOC TYPE: PSD

DOC PART: 000

REVISION: B4

molex

CSE M12 XP AC MA STR XM SE SH

PRODUCT CUSTOMER DRAWING

ENGINEERING NO. - NUMERICAL CODE (Available parts see PART LIST table. Others on request).



OPTIONS

8 0 X S 0 6 X X X X X X X X

H= 2 pcs. of I/D Carrier
PVC Transparent

80=M12x1
Single ended

Contacts:
3=3 Contacts
4=4 Contacts
5=5 Contacts
8=8 Contacts

Heads style:
S06 =Plug Shield Male
Straight

Cable type: See Table

Units:
M=Meter
C=Centimeter

Length
Examples:
005=0.5 unit
010=1 unit
100=10 units

Overmold color:
Blank=Yellow TPU for cables S20,S26
Blank=Black TPU for cables P19,P20, I26
A=Grey / G=Black / Y=Yellow

Coupling Nut:
3=Knurled Brass Ni Plated for cables P19, P20, S20
1=Hexagonal Stainless steel
5=Knurled Derlin
7=Knurled Brass Ni Plated, Teflon Coated
Blank=7 for cables I26, S26
9=Knurled / Hexagonal Brass Ni Plated SW13

CABLE INFORMATION (for more information see Cable Data Sheet).

CABLE TYPE	NO. OF WIRES	CROSS SECTION	CABLE JACKET	UL	CSA	STATIC: TEMP. / BENDING RADIUS	DYNAMIC: TEMP. / BENDING RADIUS	DRAG CHAIN	SHIELD
P19	8	0.25mm ²	PUR BLACK	-	-	-40°C to +90°C, 7.5xO.D.	-15°C to +90°C, 12.5xO.D.	2 000 000 cycles, 15xO.D.	YES
P20	3 / 4 / 5	0.34mm ²	PUR BLACK LS0H	-	-	-40°C to +90°C	-25°C to +90°C	-	YES
S20	3 / 4 / 5	0.34mm ²	PVC YELLOW	UL 2661/1731	C22.2 II A 105°C/300V	-30°C to +105°C	-	-	YES
S26	5	0.34mm ²	PVC YELLOW	UL 2661/1731	C22.2 II A 105°C/300V	-30°C to +105°C	-	-	YES
I26	5	0.34mm ²	PVC CEI GREY	-	-	-30°C to +70°C	-5°C to +70°C	-	YES

CABLE LENGTH TOLERANCES


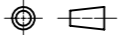
OVER	UP TO AND INCLUDING	TOLERANCES [mm]
0	305mm	+19
305mm	915mm	+45
915mm	1830mm	+56
1830mm	3660mm	+89
3660mm	7320mm	+165
7320mm	14640mm	+317
14640mm	30500mm	+610
30500mm	>	+2% of finished length

THIS DRAWING CONTAINS INFORMATION THAT IS PROPRIETARY TO MOLEX ELECTRONIC TECHNOLOGIES, LLC AND SHOULD NOT BE USED WITHOUT WRITTEN PERMISSION

DIMENSION UNITS	SCALE	CURRENT REV DESC: REMOVED OBSOLETE PART NUMBER AS PER PCN#512871.	molex		
mm	1:1				
GENERAL TOLERANCES (UNLESS SPECIFIED)			CSE M12 XP AC MA STR XM SE SH		
ANGULAR TOL	± °		PRODUCT CUSTOMER DRAWING		
4 PLACES	±	EC NO: 732259	DOCUMENT NUMBER		
3 PLACES	±	DRWN: SANTHN 2022/12/21	1200100015		
2 PLACES	±	CHK'D: GGA 2022/12/21	PSD 000 B4		
1 PLACE	±	APPR: GGA 2022/12/21	SHEET NUMBER		
0 PLACES	±	INITIAL REVISION:	2 OF 3		
DRAFT WHERE APPLICABLE MUST REMAIN WITHIN DIMENSIONS		DRWN: AKONDRACIUK 2017/07/12	MATERIAL NUMBER		
THIRD ANGLE PROJECTION		APPR: DSTACHOWIAK 2017/07/17	CUSTOMER		
DRAWING		SERIES	GENERAL MARKET		
A3-SIZE		120010	SEE TABLE		

PART LIST

No	Part No	Engineering No	Cable Length [m]
1	1200698324	803S06P20M020	2
2	1200100012	804S06P20M050	5
3	1200698110	804S06P20M200	20
4	1200698444	804S06P20M030	3
5	1200698470	804S06P20M015	1.5
6	1200698480	804S06P20M300	30
7	1200698084	804S06S20M010	1
8	1200698443	804S06P20M010	1
9	1200698472	804S06S20M300	30
10	1200100015	805S06P20M020	2
11	1200698025	805S06P20M050	5
12	1200698026	805S06P20M100	10
13	1200698101	805S06P20C350	0.35
14	1200698149	805S06P20M0201G	2
15	1200698150	805S06P20M0501G	5
16	1200698365	805S06P20M050H	5
17	1200698834	805S06P20M015	1.5
18	1200690196	808S06P19M080	8
19	1200695051	808S06P19M100	10
20	1200698152	808S06P19M0501G	5
21	1200698761	808S06P19M200	20
22	1200699418	808S06P19M015	1.5
23	1200699419	808S06P19M030	3
24	1200698085	808S06S19M010	1
25	1200698076	804S06P20M020	2
26	1200699704	805S06P20M004	0.4

THIS DRAWING CONTAINS INFORMATION THAT IS PROPRIETARY TO MOLEX ELECTRONIC TECHNOLOGIES, LLC AND SHOULD NOT BE USED WITHOUT WRITTEN PERMISSION									
DIMENSION UNITS	SCALE	CURRENT REV DESC: REMOVED OBSOLETE PART NUMBER AS PER PCN#512871.							
mm	1:1								
GENERAL TOLERANCES (UNLESS SPECIFIED)					CSE M12 XP AC MA STR XM SE SH				
ANGULAR TOL	± °				PRODUCT CUSTOMER DRAWING				
4 PLACES	±	EC NO: 732259							
3 PLACES	±	DRWN: SANTHN		2022/12/14					
2 PLACES	±	CHK'D: GGA		2022/12/21					
1 PLACE	±	APPR: GGA		2022/12/21					
0 PLACES	±	INITIAL REVISION:			DOCUMENT NUMBER		DOC TYPE	DOC PART	REVISION
		DRWN: AKONDRACIUK		2017/07/12	1200100015		PSD	000	B4
		APPR: DSTACHOWIAK		2017/07/17					
DRAFT WHERE APPLICABLE MUST REMAIN WITHIN DIMENSIONS		THIRD ANGLE PROJECTION	DRAWING	SERIES	MATERIAL NUMBER	CUSTOMER		SHEET NUMBER	
			A3-SIZE	120010	SEE TABLE	GENERAL MARKET		3 OF 3	

DOCUMENT STATUS	P1	RELEASE DATE	2022/12/21	07:37:44
-----------------	----	--------------	------------	----------