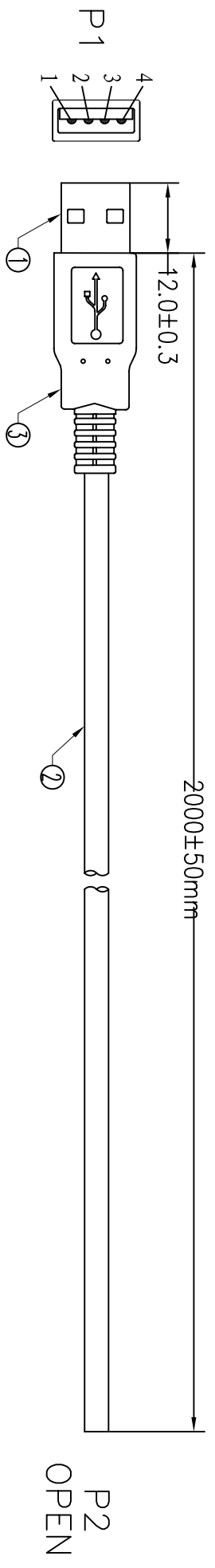
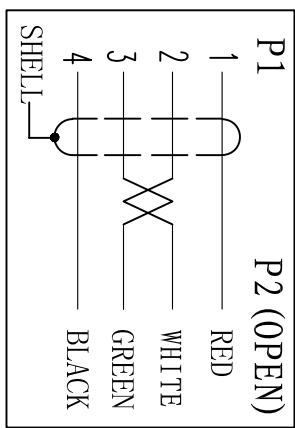


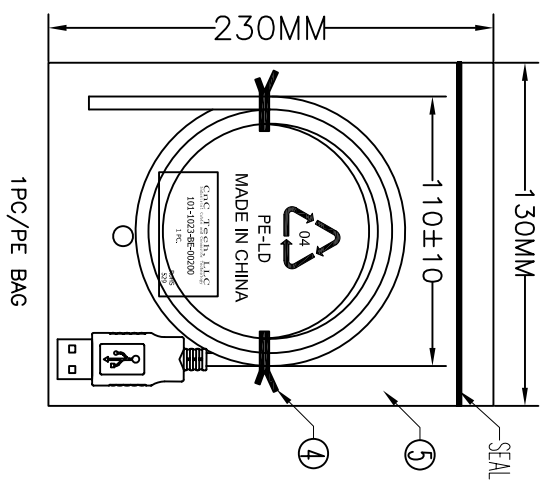
UNIT: mm



PIN ASSIGNMENT:



**Electrical test:**  
 1. 100% short, open, miswire test  
 2. Conduct resistance: 2 Ohm(max)  
 3. Insulation resistance: 5Mohm(min)  
 4. dielectric test: DC 300V



1PC/PE BAG

CABLE BLACK PRINT  
 HI-SPEED USB Revision 2.0 SHIELDED 28AWG/1P+24AWG/2C  
 E189529 PA AWM STYLE 2725 80°C 30V VW-1 VEGA TECH

⑥	PE BAG	1/10	CLEAR SIZE: 280*330*0.05mm PRINT BLACK"MADE IN CHINA"+ "10PCS"
⑤	PE BAG	1	CLEAR SIZE: 130*230*0.05mm PRINT BLACK"MADE IN CHINA"+ "1PC"
④	TIE	2	WHITE L=100mm
③	OUT JACKET	6g	BEIGE (1V-29#) PVC-40P (MOULD NO.: WM-40)
②	CABLE	1	BEIGE (1V-29#) USB2.0 UL2725 28#/1P+24#/2C+NEB OD: 4.7mm L=2000±10
①	CONN	1	USB A MALE NICKEL PIN G/F 3PCS TYPE
NO.	NAME	Q'TY	SPECIFICATION

**CNC Tech, LLC**  
 Industrial Cable and Connector Technology

DRAWN	ZHONGHS	DRAWING NO	
CHECKED		CUSTOMER	
APPROVAL		ITEM NO.	101-1023-BE-00200
DECIDED		DATE	2012-02-14
VERSIONS/EDITION	A/0	PROJECTION	