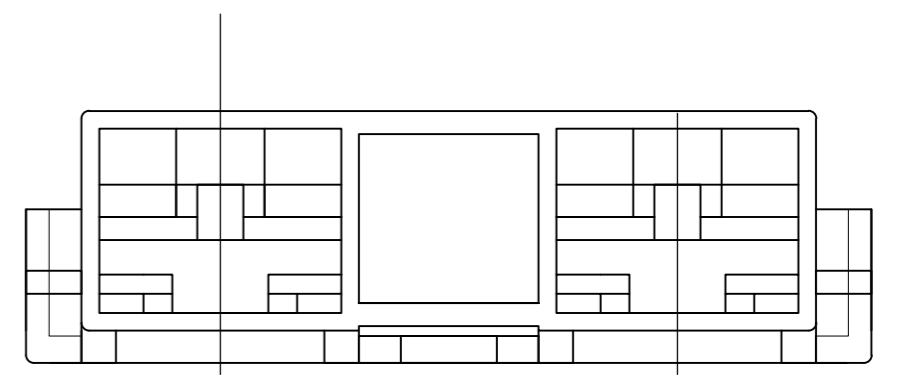
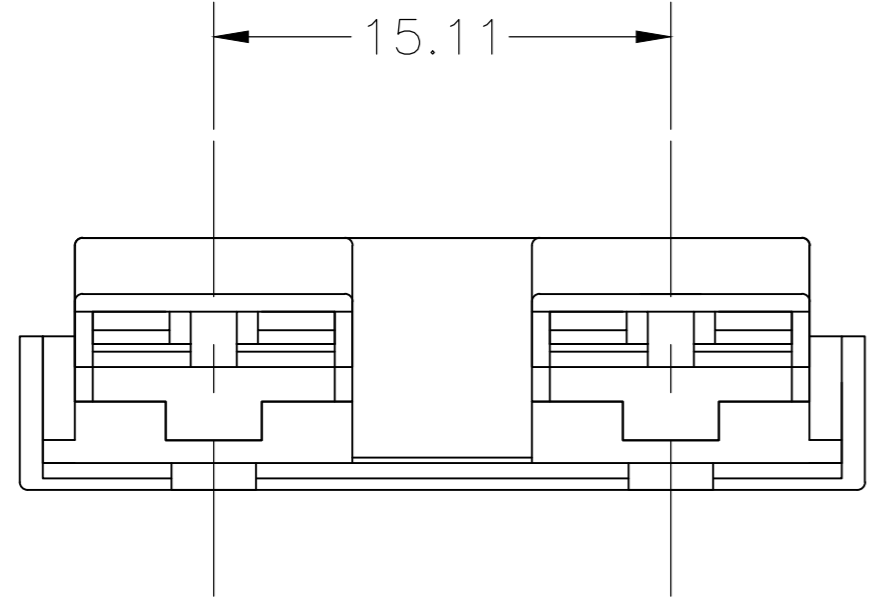
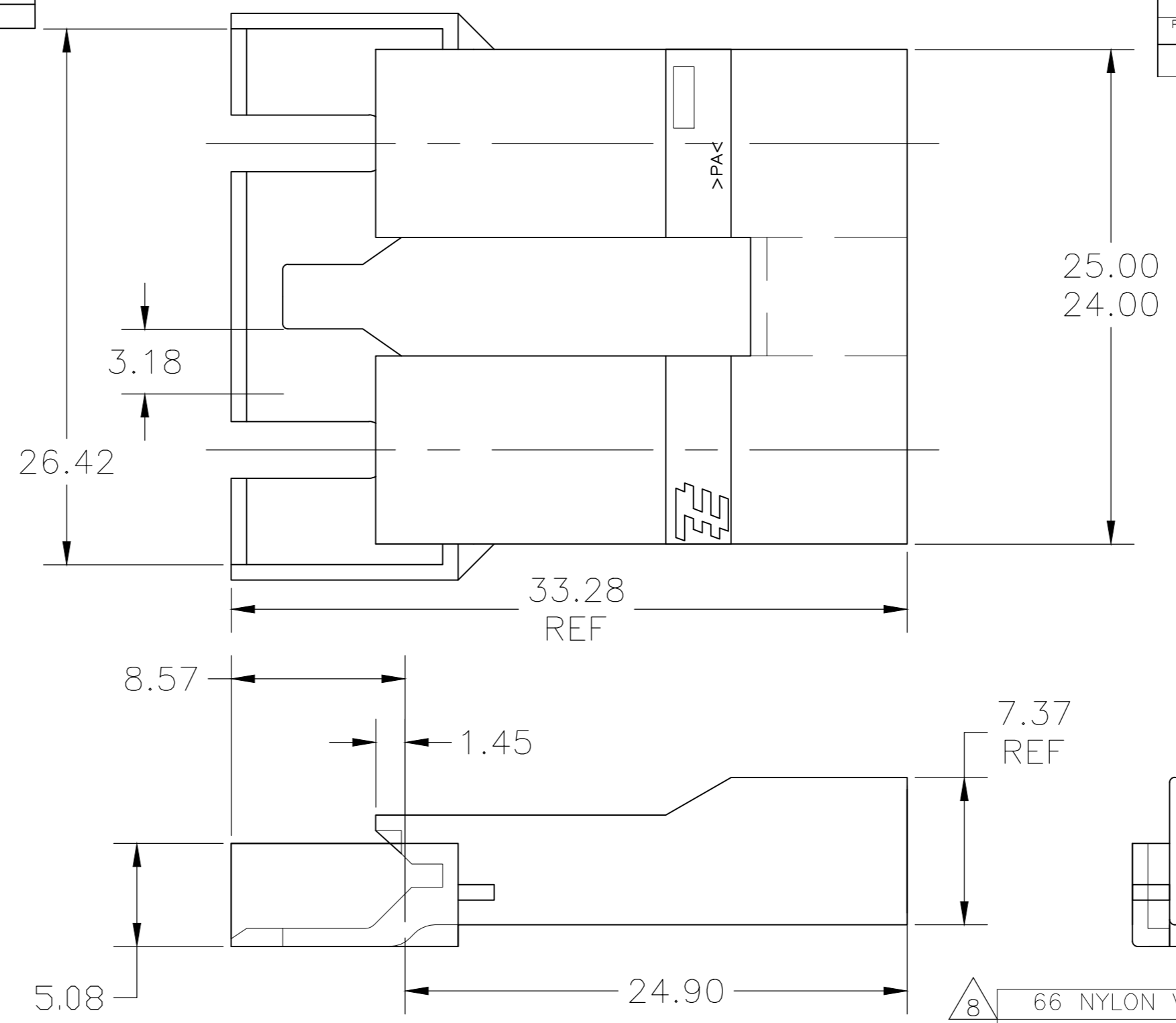


THIS DRAWING IS UNPUBLISHED. RELEASED FOR PUBLICATION  
 © COPYRIGHT - - ALL RIGHTS RESERVED.

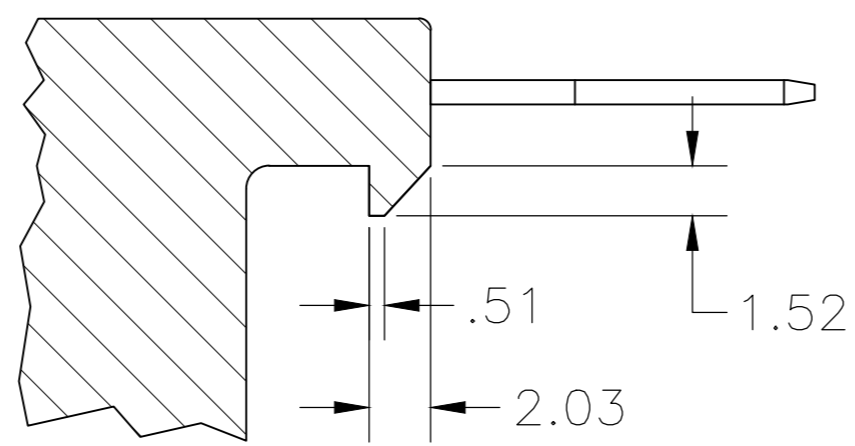
REVISIONS					
P	LTR	DESCRIPTION	DATE	DWN	APVD
T11		REVISED PER ECR-18-019942	26MAR2019	BDA	DS



SUPERSEDED BY 5-521253-1

MATERIAL	FINISH/COLOR	PART NO
66 NYLON V0 BLUE	BLUE	5-521253-1
66 NYLON V0 NATURAL	NATURAL	4-521253-8
66/6 V0 RED	RED	4-521253-2
66/6 V0 NATURAL	NATURAL	4-521253-1
6 NYLON, V2	RED	2-521253-2
66 NYLON V0	BLUE	3-521253-7
6/6 NYLON, V0	PURPLE	3-521253-6
6 NYLON, V2	NATURAL	2-521253-1
66/6 NYLON V0	BLUE	1-521253-7
	PURPLE	1-521253-6
	YELLOW	1-521253-4
	GREEN	1-521253-3
	RED	1-521253-2
6/6 NYLON V2	NATURAL	1-521253-1
	BLUE	521253-7
	PURPLE	521253-6
	BROWN	521253-5
	YELLOW	521253-4
	GREEN	521253-3
	RED	521253-2
	NATURAL	521253-1

- 1 THIS HOUSING ACCEPTS LOW-INSERTION, PREMIER RECEPTACLE 63306, OR POSITIVE-LOCK MKIII RECEPTACLE 63854-1.
- 2 TO MAINTAIN PROPER TERMINAL INSERTION FORCE INTO HOUSING, HOUSINGS MUST BE KEPT IN THEIR MOISTURIZED CONDITION (AS RECEIVED) PRIOR TO ASSEMBLY.
- 3 MOLDED WITH GLOW-WIRE APPROVED MATERIAL
- 4 PRELIMINARY - NOT FOR PRODUCTION
- 5 OFFERED FOR CONSIDERATION IN APPLICATIONS REQUIRING 'NON-DRIP' HOUSING MATERIAL.
- 6 BLUE PARTS MAY APPEAR MEDIUM BLUE TO LIGHT BLUE TO LIGHT GRAY IN COLOR AND MAY ALSO EXHIBIT A MARBLING EFFECT
- 7 NOT FOR PRODUCTION: AGENCY APPROVAL IS PENDING.
- 8 PARTS MAY APPEAR MEDIUM COLORED TO LIGHT COLORED AND EXHIBIT A MARBLING EFFECT.



PROPOSED MATING LOCKING DESIGN

THIS DRAWING IS A CONTROLLED DOCUMENT.		DWN	JR RUTH	05JAN00	 TE Connectivity
DIMENSIONS: mm		CHK	MS FEHER	05JAN00	
TOLERANCES UNLESS OTHERWISE SPECIFIED:		APVD	D BRATINA	05JAN00	
0 PLC ± - 1 PLC ± - 2 PLC ± 0.25 [.010] 3 PLC ± - 4 PLC ± - ANGLES ± -		PRODUCT SPEC			
MATERIAL	SEE TABLE	FINISH	-	WEIGHT	-
CUSTOMER DRAWING		SCALE	4:1	SHEET	1 OF 1
		REV	T11		