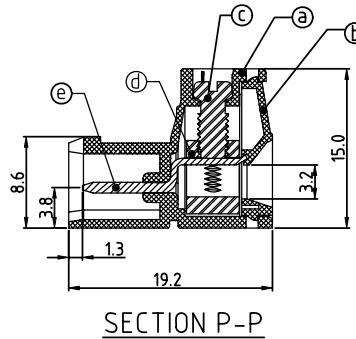
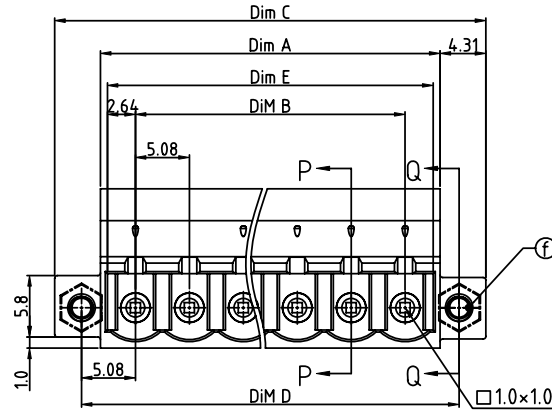
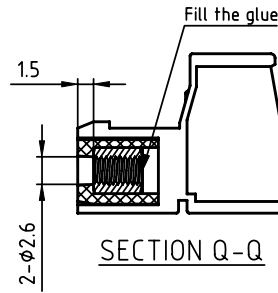
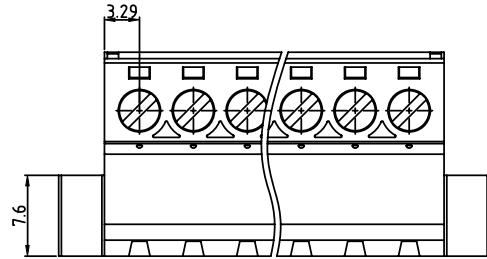


PRODUCT NUMBER	PITCH
V8xx51x100J0G	5.08 mm



Material:

- Item ① Terminal(housing):Thermoplastic (UL94V-0)
- Item ② Terminal (Cover):Thermoplastic (UL94V-0)
- Item ③ Terminal screw:Steel Zinc plating "-" slot type
- Item ④ Clamp:Brass(CuZn), Ni plating
- Item ⑤ Pin: Copper, Tin plated
- Item ⑥ Flange nut: Brass M2.5

Electrical cULus

- Voltage rating: 300VAC
- Current rating: 20A
- Wire range:
- Solid wire(AWG): 12-24
- Stranded wire(AWG): 12-24
- Torque: 4Lb-In
- Screw: M3
- Wire strip length: 7-8mm
- Withstanding Voltage: 1.6KV
- Operating temperature: -40°C to +115°C
- Safety Approval:

DIMENSION

Dim A	(N-1)X5.08+6.58
Dim B	(N-1)X5.08
Dim C	(N+1)X5.08+5.04
Dim D	(N-1)X5.08+10.16
Dim E	(N-1)X5.08+5.28

N=Number of poles

Poles	Dim A	Dim B	Dim C	Dim D	Dim E
2p-6p	±0.15	±0.15	±0.15	±0.15	+0.15 0
7p-12p	±0.20	±0.20	±0.20	±0.20	+0.20 0
13p-18p	±0.30	±0.30	±0.30	±0.30	+0.30 0
19p-24p	±0.40	±0.40	±0.40	±0.40	+0.40 0

PART NO.: V8 xx 51 x 1 00J0 G

- |   |              |   |                   |                 |
|---|--------------|---|-------------------|-----------------|
| ↓ | Solid block  | 0 | Color             | RoHS compliant  |
| ↓ | No. of poles | 2 | Black (RAL9005)   | (lead<4%)       |
| ↓ | 02 2 poles   | 3 | Red (RAL3001/D)   | In copper Alloy |
| ↓ | 03 3 poles   | 4 | Orange(RAL2011/P) |                 |
| ↓ | ...          | 5 | Yellow(RAL1018/A) |                 |
| ↓ | ...          | 6 | Green(RAL6018/T)  |                 |
| ↓ | 24 24 poles  | 7 | Blue (RAL5015/A)  |                 |
|   |              | 8 | Grey(RAL7035/D)   |                 |
|   |              | 9 | White(RAL1102)    |                 |
|   |              | C | Green(RAL6018/U)  |                 |

mat'l. code		surface ASME Y14.5	tolerance ASME Y14.5	projection	product family TERMINAL BLOCK
ltr	ecn no	dr	date	 MM scale	title TERMINAL BLOCK PLUGGABLE PLUG,FLANGE WITH NUT
			angles		dwg no V8xx51x100J0G sheet 1 of 1 size A4
			X±0.5		
			X.X±0.3		
			X.XX±0.1		
		dr	EVIN ZHONG	050514	type CUSTOMER Drawing
		enr	EVIN ZHONG	050514	
		chr	HANKE FENG	050514	
		appd	SHI JUN	050514	
sheet index	revision sheet	A	1		