

# PC 100/60 HT



Sample image

**Order symbol:** PC 100/60 HT

**Product nbr:** 6011901

UL Code: 6411901

UL Name: UL PC 100/60 HT

**Description:** Enclosure. PC

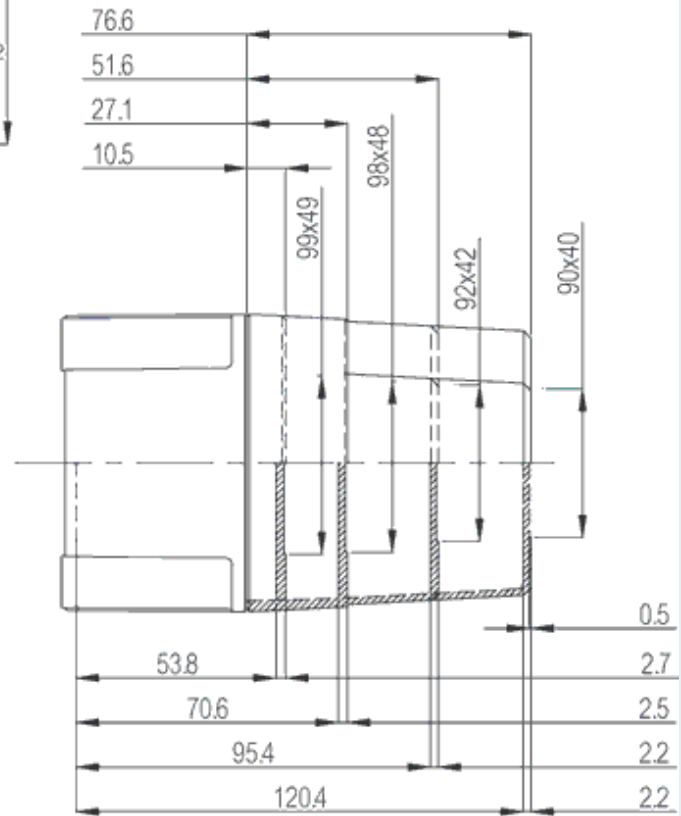
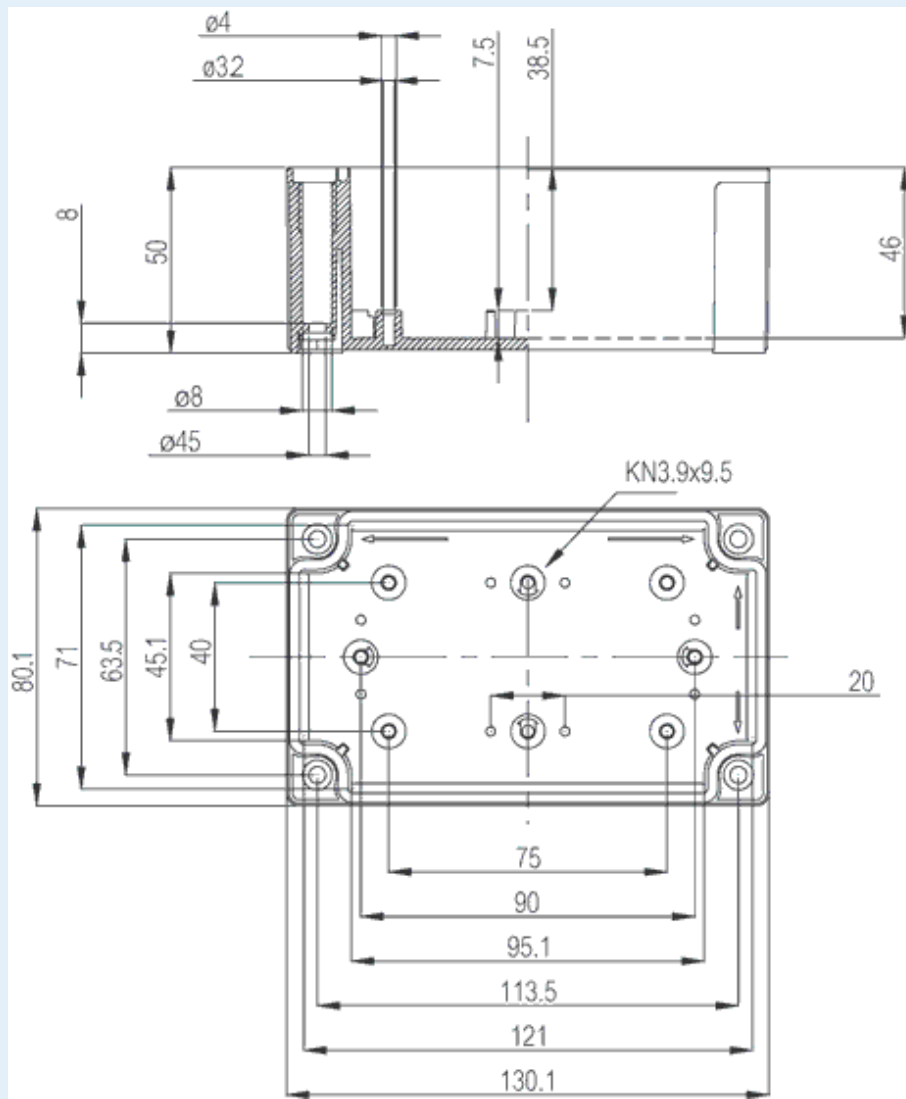
**Remarks:** Smoked transparent cover

**Including:** Base with TPE gasket, screws for mounting plate/DIN-rail and cover with polyamide cover screws.

**EAN:** 6418074022288

**El. number:**

- Finland: 3420421
- Denmark: 8212022331
- Sweden: 2535612



Dimensions:	Height	Width	Depth
mm:	130	80	60
inch:	5.12	3.15	2.36

#### Materials:

Material:	Polycarbonate
Base colour:	RAL 7035 -light grey
Cover colour:	Clear transparent
Gasket material:	Polyurethane

#### Temperatures:

Temperature °C (short term)::	-40 ... 120
Temperature °C (continuous):	-40 ... 80
Temperature °F (short term):	-40 ... 250
Temperature °F (continuous):	-40 ... 175

#### Accessories:

MIV 10	DIN-35 Mounting rail. for enclosures: (100 x 35 x 1)
MIV 5	DIN-35 Mounting rail. for enclosures: (50 x 35 x 1)
HFP 130	Front panel hinge series for FP A 100-125
MIN 5	DIN-15 Mounting rail. for enclosures: (50 x 15 x 1)
MIV 100	Back Panel (Galvanized steel). for enclosures: (98 x 48 x 1)
MIN 10	DIN-15 Mounting rail. for enclosures: (100 x 15 x 1)
FP 22046	Mounting foot kit (4 pcs)
FP A 100/130	Front panel (Aluminum). for enclosures: (120 x 62 x 1)

#### Rating:

Ingress protection (EN 60529):	IP66; IP67;
Impact Resistance (EN 62262):	IK08;
Electrical insulation:	Totally insulated
Halogen free (DIN/VDE 0472, Part 815):	1
UV resistance:	UL 508

Flammability Rating: UL 746C 5"

Glow Wire Test (IEC 695-2-1) °C: 960 °C

NEMA Class

**Certificates:**

Certificate FI 40847