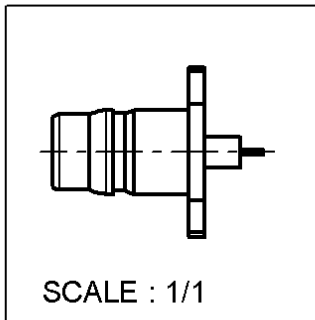
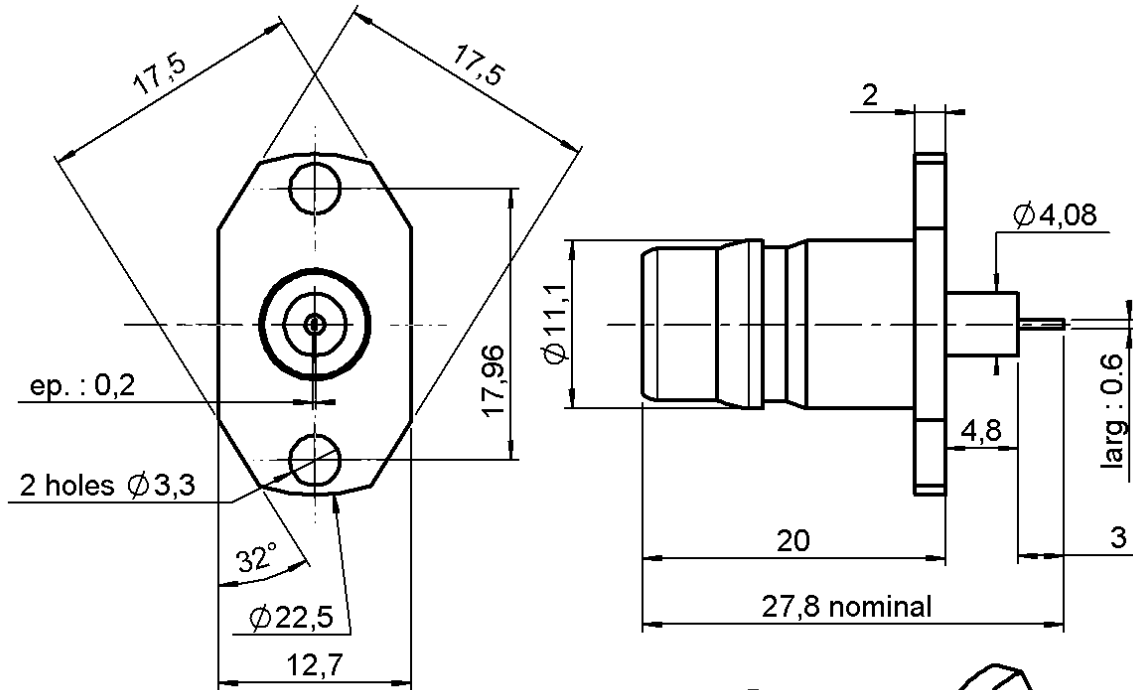


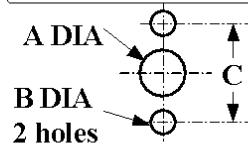
**TWO HOLES REDUCED FLANGE RECEPTACLE
WITH TAB CONTACT**

R164.474.120

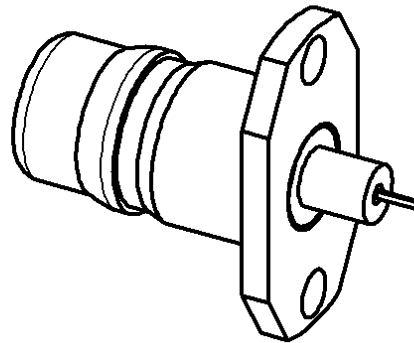
Series : QN



PANEL CUT OUT



	mm	
	Maxi	mini
A	4.2	4.1
B	3.3	3.2
C	18.06	17.86



All dimensions are in mm.

COMPONENTS	MATERIALS	PLATINGS (µm)
BODY	BRASS	Ag3 BBR0.5
CENTER CONTACT	BERYLLIUM COPPER	GOLD 1.3 OVER COPPER 2.5
OUTER CONTACT		
INSULATOR	PTFE	
GASKET		
OTHERS PARTS		
-	-	-
-	-	-

Issue : 0409 B

In the effort to improve our products, we reserve the right to make changes judged to be necessary.



**TWO HOLES REDUCED FLANGE RECEPTACLE
WITH TAB CONTACT**

R164.474.120

Series : QN

PACKAGING

SPECIFICATION

Standard	Unit	Other
50	'W' option	Contact us

ELECTRICAL CHARACTERISTICS

ENVIRONMENTAL

Impedance		50 Ω
Frequency		0-6* GHz
VSWR	**1.05 +	0.025 x F(GHz) Maxi
Insertion loss		0.048 √F(GHz) dB Maxi
RF leakage	- (***90 - F(GHz)) dB Maxi
Voltage rating		1000 Veff Maxi
Dielectric withstanding voltage		2000 Veff mini
Insulation resistance		5000 MΩ mini

Operating temperature	-55/+125 ° C
Hermetic seal	NA Atm.cm3/s
Panel leakage	NA

OTHERS CHARACTERISTICS

Assembly instruction

Others :

*Usable 0-11GHz

**Coaxial Transmission Line Only

***RF Leakage: -80dB min 3<F<6GHz

MECHANICAL CHARACTERISTICS

Center contact retention		
Axial force – Mating end	18	N mini
Axial force – Opposite end	18	N mini
Torque	NA	N.cm mini
Recommended torque		
Mating	NA	N.cm
Panel nut	NA	N.cm
Mating life	100	Cycles mini
Weight	12.570	g

Issue : 0409 B

In the effort to improve our products, we reserve the right to make changes judged to be necessary.

