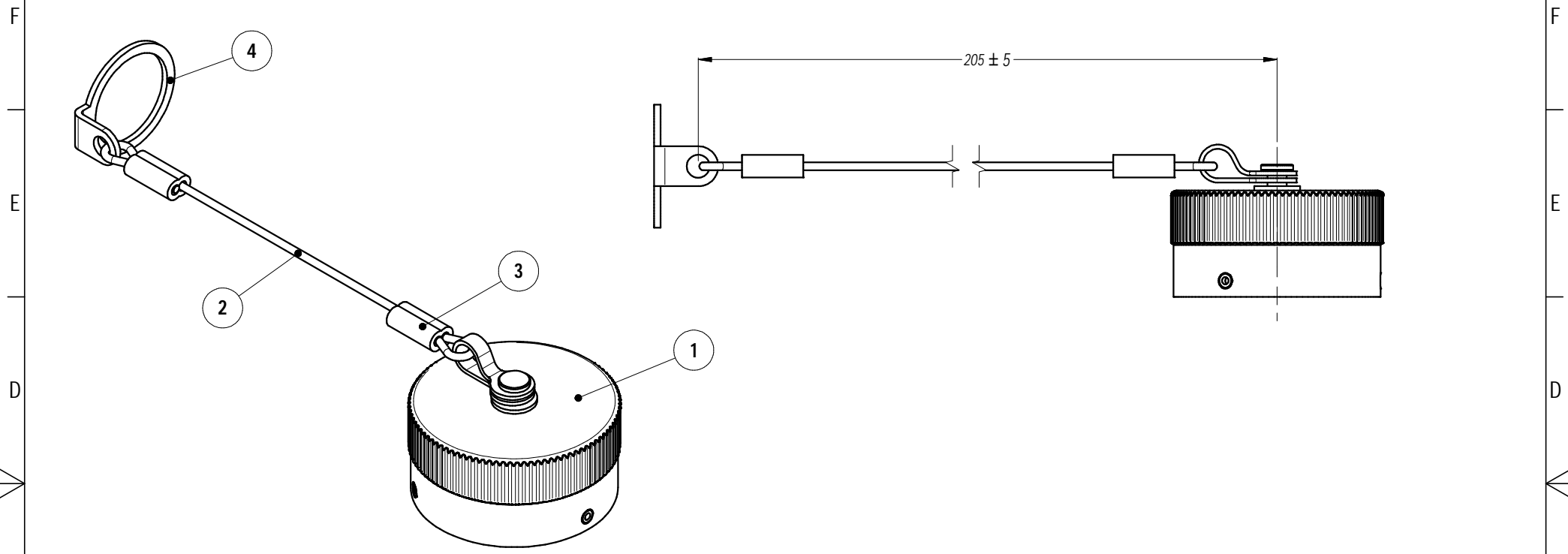


6 5 4 3 2 1



P/N	TO SUIT CONNECTOR
MP-25043-13L	MP-4101-13P
MP-25043-19L	MP-4103-19P
MP-25043-25L	MP-4101-25P
MP-25043-37L	MP-4101-37P
MP-25043-54L	MP-4101-54P
MP-25043-85L	MP-4101-85P
MP-25043-150L	MP-4101-150P

4	PG RING	1
3	CRIMP SWAGE	2
2	LANYARD PVC COATED OD 1.5mm	1
1	DUST CAP FOR PLUG MP-4101	1
ITEM	DESCRIPTION	QTY
Parts List		

UNLESS OTHERWISE SPECIFIED TOLERANCE TO BE:		THIS DOCUMENT IS THE PROPERTY OF AMPHENOL AUSTRALIA PTY. LTD. NO PART THEREOF MAY BE REPRODUCED AND USED WITHOUT THE PRIOR WRITTEN CONSENT OF THE OWNER			
LINEAR	ANGULAR	CAD FILE: 50250021432110		DRN: A.O	DATE: 09/04/08
X ± N/A	X' ± 1	MATL: -----		CKD: B.Z	DATE: 09/04/08
X.X ± .2	X.X' ± 30'	FINISH: -----		APP'D: P.M	DATE: 09/04/08
X.XX ± .05	X.XX" ± 15'	DIMENSIONS IN MILLIMETRES		SCALE: 1:1	PART No: MP-25043-***L

0	FIRST ISSUE	A.O	09/04/08	8740
REV	DESCRIPTION	BY	DATE	CHG/No
REVISION HISTORY				
TITLE: DUST CAP FOR MP-4101		Amphenol <small>Amphenol Australia Pty Ltd, 2 Fiveways Blvd, Keysborough, Vic3173</small>		
DRAWING NO. 50250021-432-1				
SHEET 1/1				

6 5 4 3 2 1