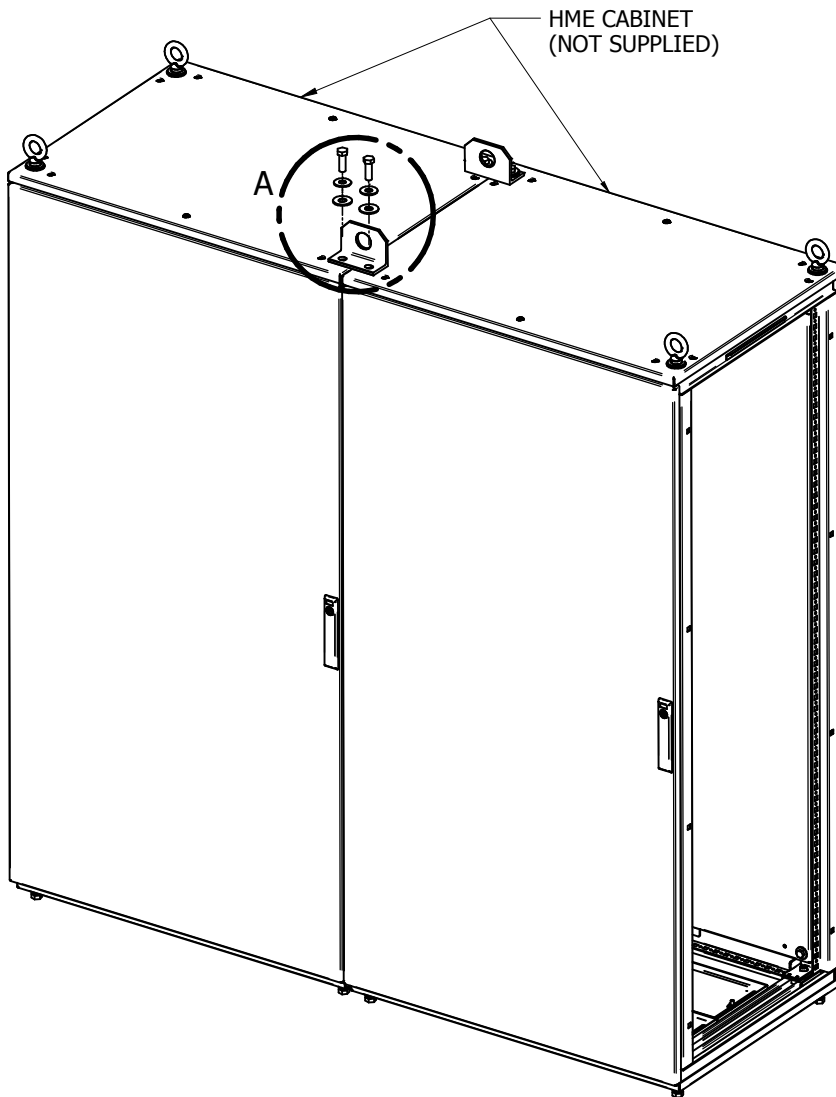


HMELA2 SERIES

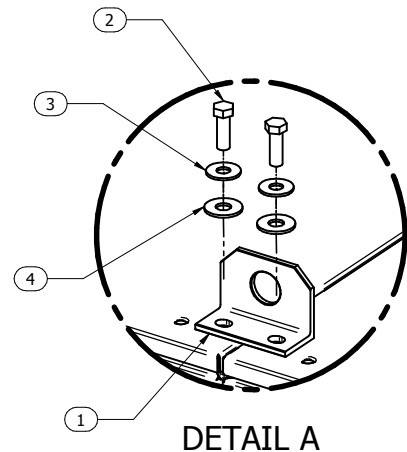
ASSEMBLY INSTRUCTIONS FOR HME LIFTING ANGLES

BUL10421
REV. A

Page: 1 of 1

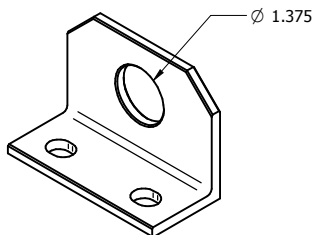


MAXIMUM CAPACITY IS 1000 LBS
PER ANGLE BRACKET.
(2000 LBS PER PAIR)



NOTE: Torque fasteners to 30 in-lbs.

PARTS LIST



ITEM 1
LIFTING ANGLE
QTY 2



ITEM 2
HEX BOLT
1/2-13 X 1.50" LG
QTY 4

Reuse from eyebolt assembly.
Not supplied with this kit.



ITEM 3
1/2" FLAT WASHER
QTY 4



ITEM 4
SEALING WASHER
QTY 4

TOOL BOX



3/4" Socket
Wrench



 **HAMMOND
MANUFACTURING™**
www.hammondmfg.com