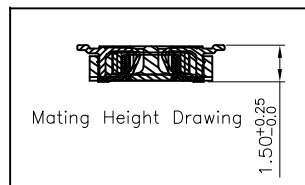
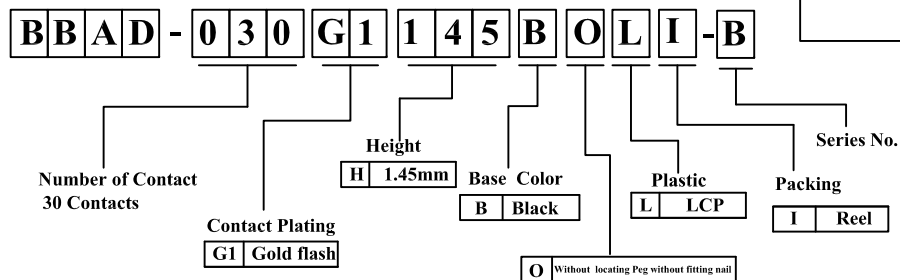


A-A



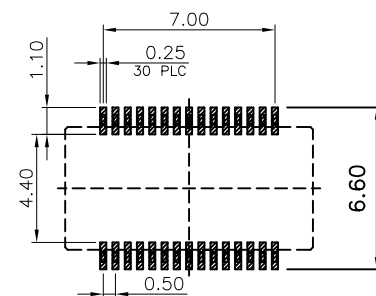
Compliance with:
 PCIe4.0(GT/S),
 USB4 Gen3(40Gbps),
 USB3.2 Gen2(10Gbps).
 Mating with:
 "BAAD-030G1120NOLI-B"



REV.	DESCRIPTION	DATE
A	New Drawing	2013/11/27
B	Modified for Customer Request ▲	2017/04/17

LTR	Part Name	Material	Description	QTY
1	Housing	LCP UL94V-0	260°C for 10 Seconds. Initial : 1000M Ohms Min.	1
2	Contact	Bronze C5191	Current Rating : 0.5 A Initial : 30m Ohms Max.	30

Temperature Rating : -40°C ~ +105°C .
 Dielectric Withstanding Voltage : 300 V AC/Min



▨ : STAND OFF AREA

P.C.B LAYOUT

RoHS compliant

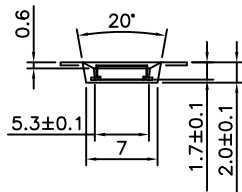
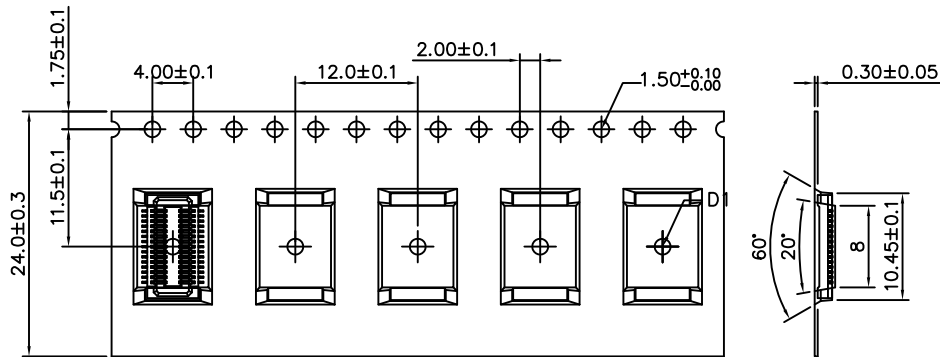
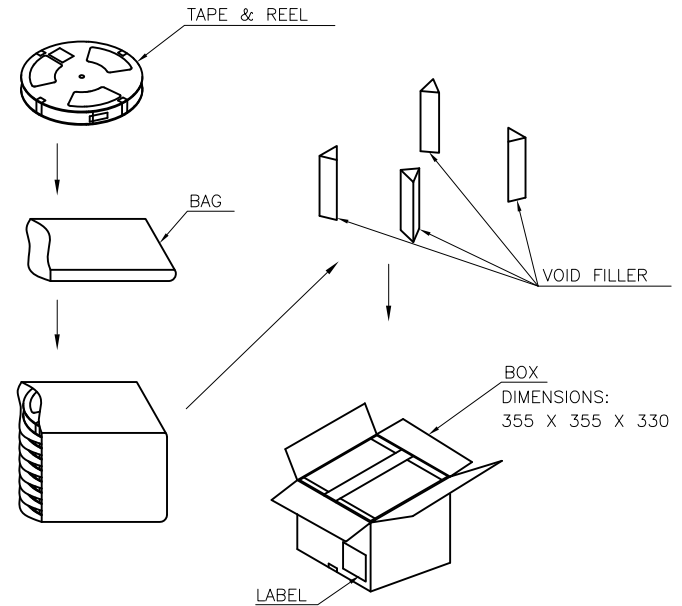
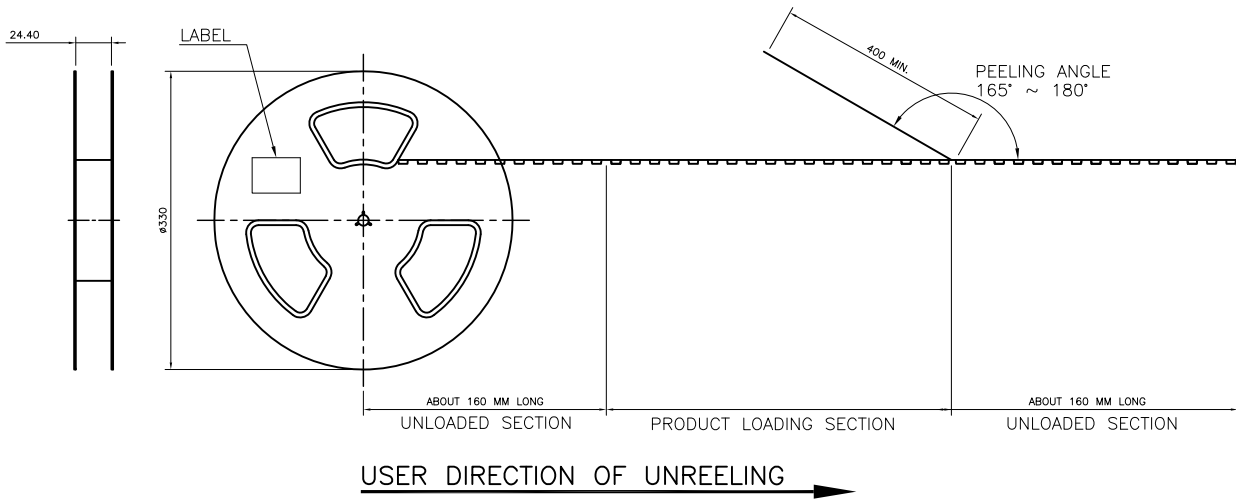
Superior Tech Co., Ltd.

General Tolerance		TITLE		PH0.5 BTOB H1.45 30PIN Male	
X. ± 0.5		DRAWN		DATE	
.X ± 0.3		Tom		04-17-17'	
.XX ± 0.2		CHECK		DATE	
.XXX ± 0.1		APPROVED		DATE	
Angle ± 5°				NO. 002	
				PART NO. BBAD-030G1145BOLI-B	
				CUSTOMER NO. DK	

REV.	UNIT	SCALE	
B	mm	1:1	

(Q2-R03-01A) ST-R05-07

REV.	DESCRIPTION	DATE
A	New Drawing	2013/12/09



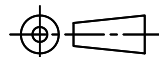
Note:
 1. All dimensions meet EIA-481-C requirements.
 2. Thickness : 0.3±0.05mm

PIN No.	PCS/R	R/CTN
30PIN	2500 PCS	11 R

Superior Tech Co., Ltd.

General Tolerance		TITLE	BBAD-030G1145BOLI-B_Packing	
X. ± 0.5		DRAWN Tom	DATE	NO.
.X ± 0.3			2013/12/09	002
.XX ± 0.2		CHECK	DATE	PART NO.
.XXX ± 0.1		APPROVED	DATE	BBAD-030G1145BOLI-B
Angle	± 5°			CUSTOMER NO.

REV.	UNIT	SCALE
	mm	



(Q2-R03-01A) ST-R05-07