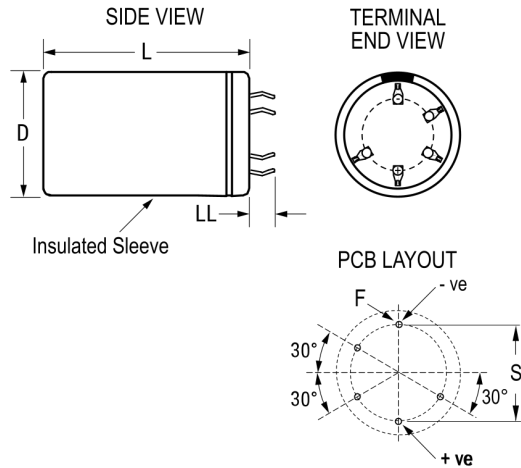


ALC70H753KP063

Aliases (A546KW753M063H)

ALC70, Aluminum Electrolytic, 75,000 uF, 20%, 63 VDC, -40/+85°C



Click [here](#) for the 3D model.

Dimensions	
D	50mm +1mm
L	105mm +/-2mm
S	25mm +/-0.1mm
LL	4mm +/-1mm
F	2mm +/-0.1mm

Packaging Specifications	
Sleeving	Yes
Packaging	Bulk, Bag

General Information	
Series	ALC70
Dielectric	Aluminum Electrolytic
Description	Snap-In, Aluminum Electrolytic
RoHS	Yes
Lead	5 Pin Short
AEC-Q200	No
Halogen Free	Yes
Component Weight	310 g
Notes	Dimensions D And L Include Sleeving.
Shelf Life	156 Weeks

Specifications	
Capacitance	75,000 uF
Capacitance Tolerance	20%
Voltage DC	63 VDC, 72.5 VDC (Surge)
Temperature Range	-40/+85°C
Rated Temperature	85°C
Life	18000 Hrs (Rated Voltage and Ripple Current at 85C), 29000 Hrs (Rated Voltage at 85C)
Resistance	10.04 mOhms (100Hz 20C), 8.731 mOhms (10kHz 20C)
Ripple Current	17.87 Amps (100Hz 85C), 19.71 Amps (10kHz 85C)
Leakage Current	6000 uA (5min 20°C)