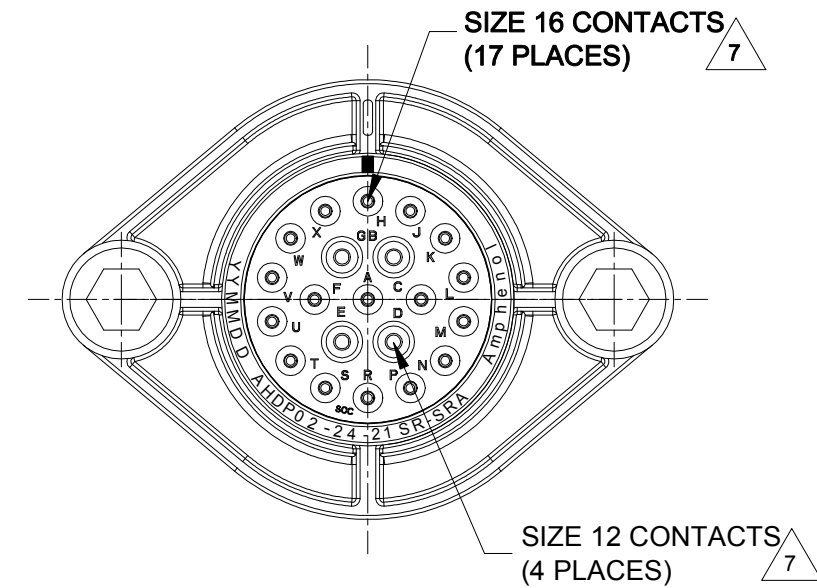
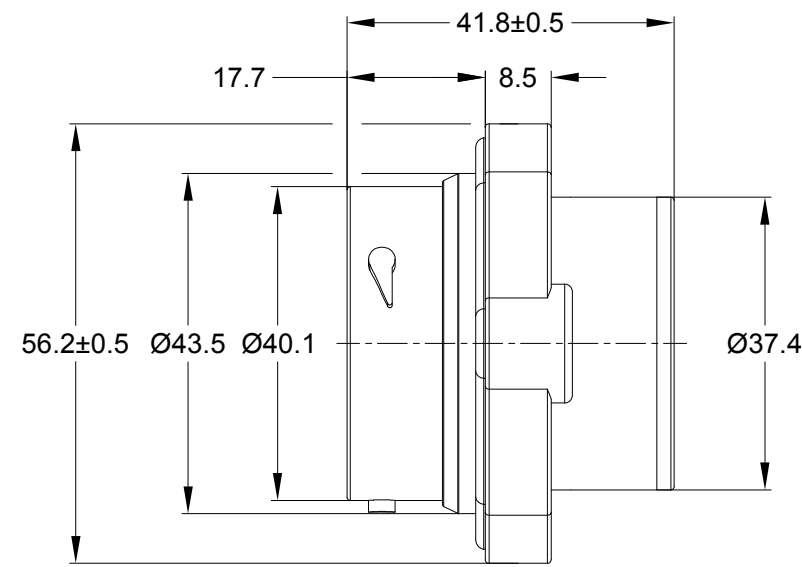
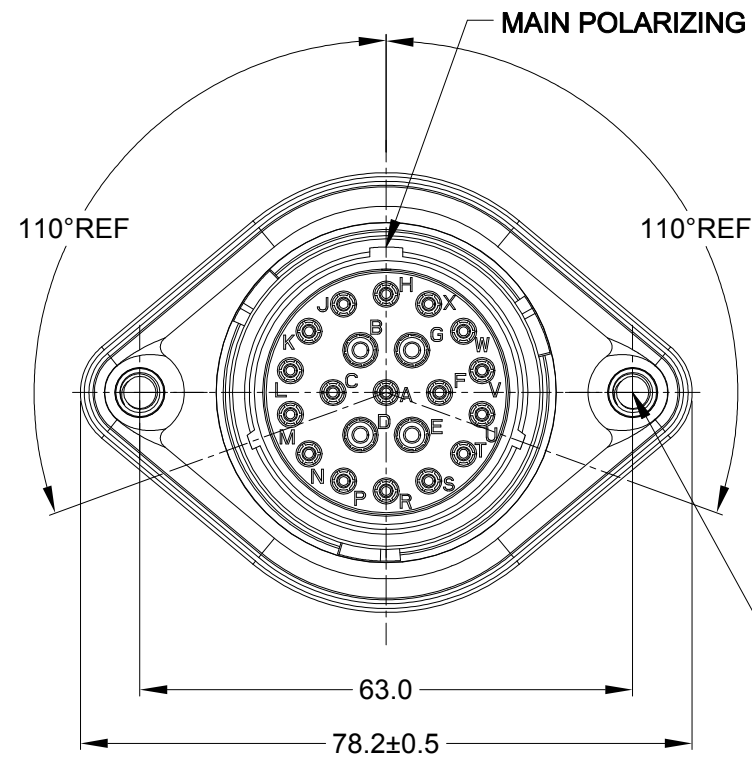


REVISIONS					
REV	ECO	DESCRIPTION	DATE	BY	APPR
A1	--	RELEASE NEW DRAWING	01/SEP/20	LOUIE	TOMMY



M5X0.8-6H 8mm(2X) DEEP  
THREADED INSERT

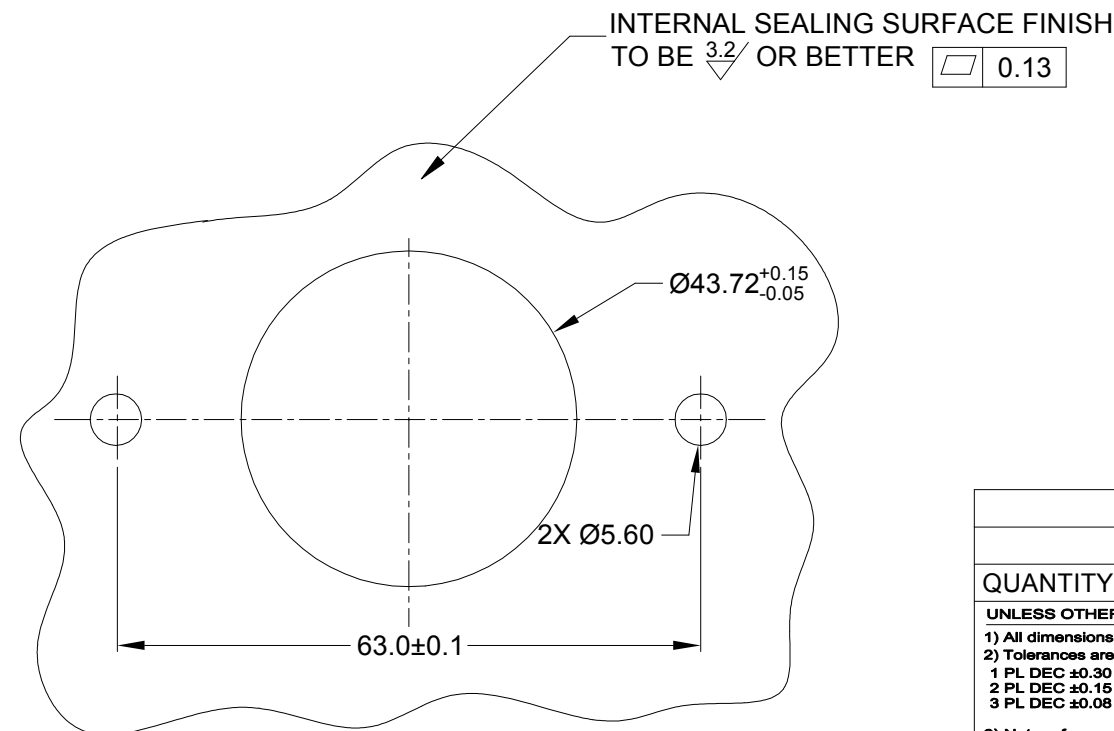
RECOMMENDED TORQUE  
VALUES: 1.9-2.2 N.m

NOTES: UNLESS OTHERWISE SPECIFIED

- MATERIAL:  
HOUSING: THERMOPLASTIC; BLACK  
SEAL: SILICONE RUBBER  
THREADED INSERT: STAINLESS STEEL
- MODIFICATIONS: SMOOTH RING ADAPTOR (SRA);  
REDUCED DIA. WIRE SEAL  
SEALED PANEL MOUNT
- SPECIFICATIONS:  
3.1 OPERATING TEMPERATURE: -55°C TO +125°C.  
3.2 DIELECTRIC WITHSTANDING VOLTAGE: LESS THAN 2  
MILLIAMPS CURRENT LEAKAGE @ 1500 VOLTS AC.  
3.3 INSULATION RESISTANCE: 1000 MEGOHM MIN @ 25°C.  
3.4 MOISTURE RESISTANCE: IP67&IP69K ( MATED CONDITION ).  
3.5 MATING CYCLE DURABILITY: 100 CYCLES  
3.6 RoHS COMPLIANT
- MATING PART: AHDP06-24-21P\* (\* = SEAL TYPE)
- ALL DIMENSIONS ARE FOR REFERENCE USE ONLY.
- RECEPTACLE IS SUPPLIED WITH DUST CAP (NOT SHOW)

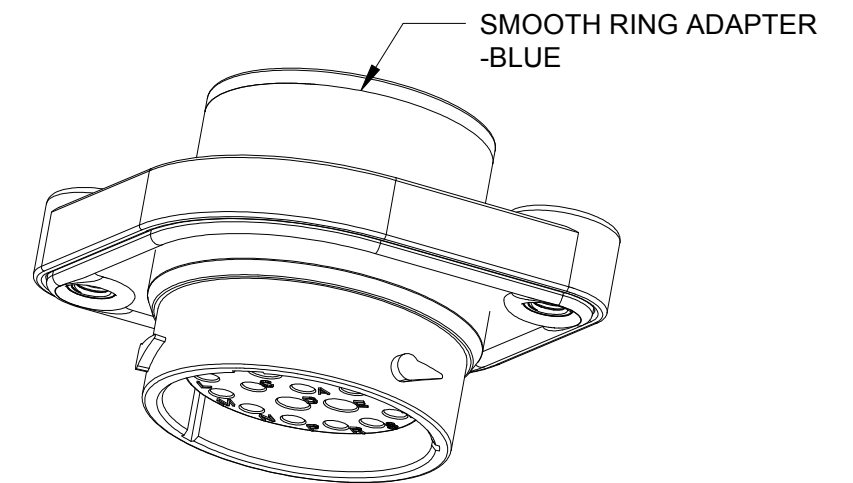
CONTACT SIZE AND WIRE RANGE:

CONTACT SIZE	MIN. INSUL O.D.	MAX. INSUL O.D.	TYPICAL WIRE RANGE	CURRENT RATING
12	2.46 mm (.097 in)	4.01 mm (.158 in)	10-14 AWG (6.0-2.0mm <sup>2</sup> )	25 AMPS
16	1.35 mm (.053in)	3.05 mm (.120 in)	14-20 AWG (2.0-0.5mm <sup>2</sup> )	13 AMPS



RECOMMENDED PANEL  
MOUNTING HOLE

RECOMMENDED PANEL  
THICKNESS: 1.6 TO 4.7MM



AHDP02-24-21SR-SRA		PART NUMBER		DESCRIPTION		ITEM							
QUANTITY		<b>MATERIALS LIST</b>											
UNLESS OTHERWISE SPECIFIED		SIGNATURES		DATE		<p><b>Amphenol</b></p> <p>Sine Systems - www.amphenol-sine.com 44724 Morley Drive Clinton Township, MI 48036</p> <p>21 POS, RECEPTACLE, SOCKET, PANELMATE AHDP SIZE 24, RD SEAL, SRA</p>							
1) All dimensions are in metric(mm).		DRAWN: LOUIE		01/SEP/20									
2) Tolerances are as follows:		CHECKED: ORION		02/SEP/20									
1 PL DEC ±0.30		ENGINEER:											
2 PL DEC ±0.15		APPROVAL: TOMMY		03/SEP/20									
3 PL DEC ±0.08		CUSTOMER:											
3) Note reference = $\triangle$		MATERIAL SPECIFICATIONS:		THIS DRAWING IS SUPPLIED FOR INFORMATION ONLY. DESIGN FEATURES, SPECIFICATIONS AND PERFORMANCE DATA SHOWN HEREON ARE THE PROPERTY OF THE AMPHENOL CORPORATION. NO RIGHTS OF REPRODUCTION ARE IMPLIED. ALL DIMENSIONS ARE SUBJECT TO NORMAL MANUFACTURING VARIATIONS.									
PROCESS SPECIFICATIONS:		NEXT ASSY:		<table border="1"> <tr> <th>SIZE</th> <th>TYPE</th> <th>DWG NO:</th> <th>REVISION</th> </tr> <tr> <td>B</td> <td>C-</td> <td>AHDP02-24-21SR-SRA</td> <td>A1</td> </tr> </table>		SIZE	TYPE	DWG NO:	REVISION	B	C-	AHDP02-24-21SR-SRA	A1
SIZE	TYPE	DWG NO:	REVISION										
B	C-	AHDP02-24-21SR-SRA	A1										
SCALE: NONE		DURAMATE		SHEET 1 OF 1									

TITLE: 21 POS, RECEPTACLE, SOCKET, PANELMATE AHDP SIZE 24, RD SEAL, SRA

DWG NO: AHDP02-24-21SR-SRA

REV: A1

SH: 1

OF: 1