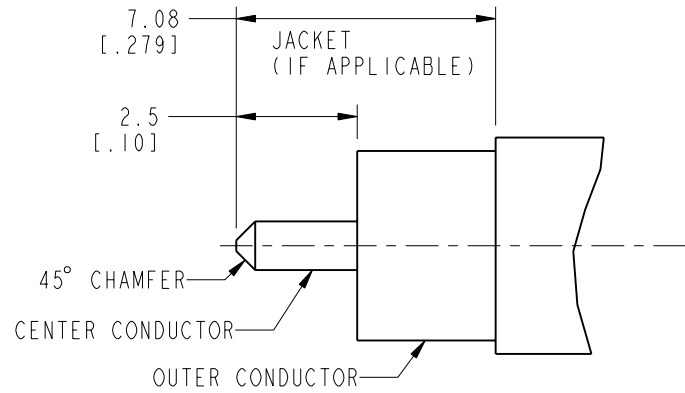


NOTES:

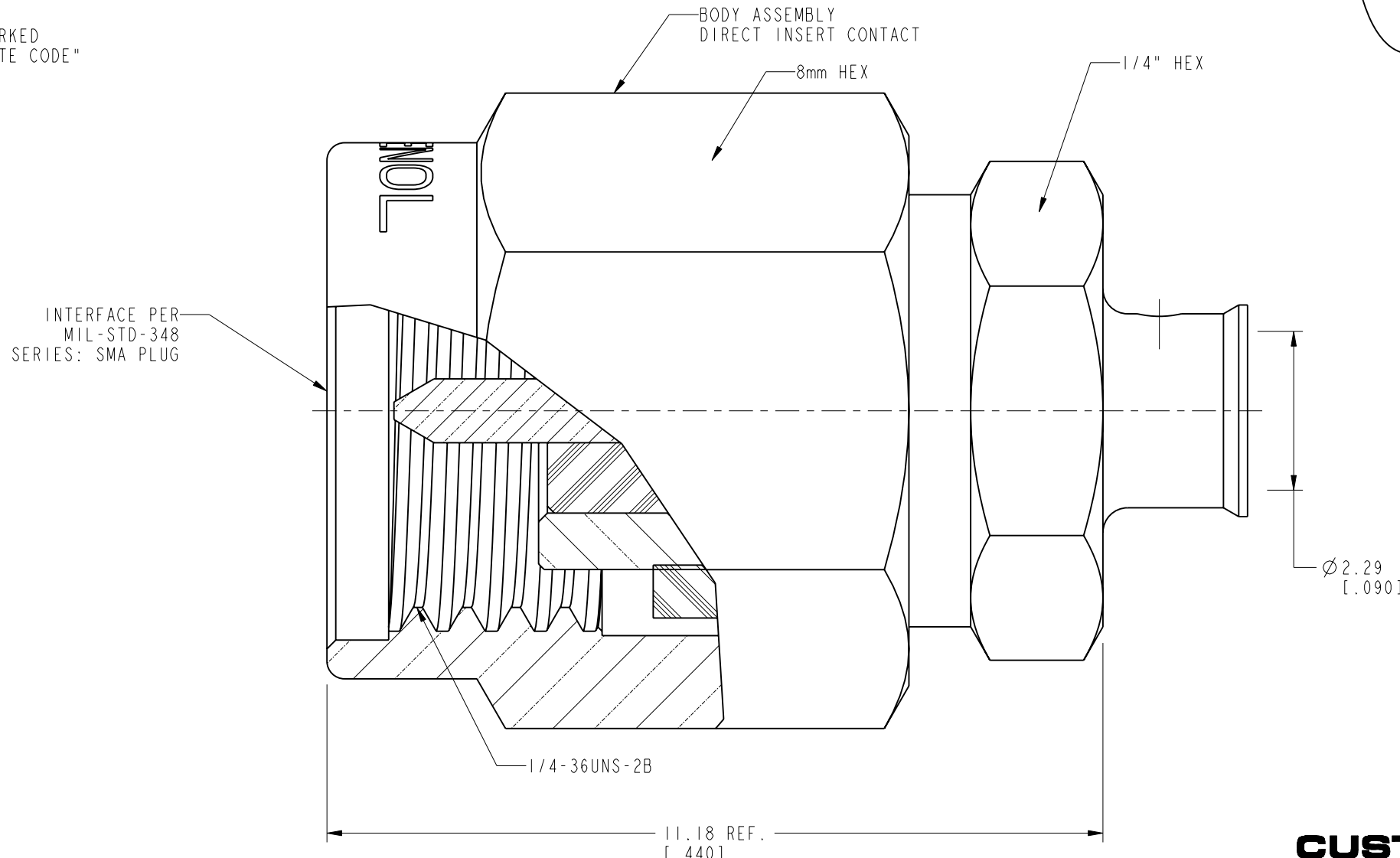
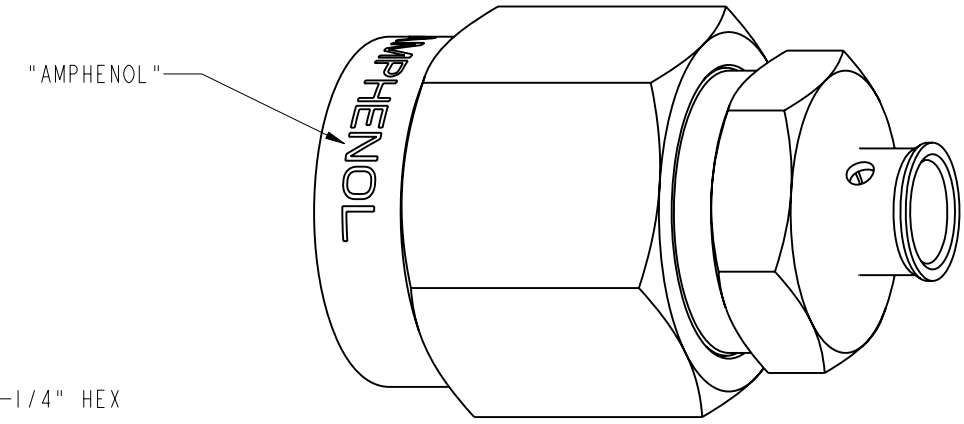
1. MATERIALS AND FINISHES:
 - BODY - BRASS, GOLD PLATING
 - CONTACT - BeCu, GOLD PLATING
 - INSULATOR - PTFE, NATURAL
 - COUPLING NUT - STAINLESS STEEL, PASSIVATED
 - GASKET - SILICONE RUBBER, RED
 - RETAINING RING - SUS 304, NATURAL
2. ELECTRICAL:
 - A. IMPEDANCE: 50 OHM
 - B. FREQUENCY RANGE: DC-34 GHz
 - C. VSWR(RETURN LOSS): 1.05 + .009f (GHz) , MAX.
 - D. DIELECTRIC WITHSTANDING VOLTAGE: 1000 VRMS, MIN.
3. MECHANICAL:
 - A. DURABILITY: 500 CYCLES MIN.
 - B. TEMPERATURE RANGE: -65° C TO +165° C
4. PACKAGING:
 - A. QUANTITY: SINGLE PACK
 - B. MARKING: PACKAGING TO BE MARKED
"AMPHENOL RF, 901-10709, DATE CODE"

THIRD ANGLE PROJ.

		REVISIONS		
REV	DESCRIPTION	DATE	ECN	APPR
A	RELEASE TO MANUFACTURING	11-Mar-20	14661	CJV



RECOMMENDED STRIPPING DIMENSIONS



CUSTOMER OUTLINE DRAWING
ALL OTHER SHEETS ARE FOR INTERNAL USE ONLY

UNLESS OTHERWISE SPECIFIED, DIMENSIONS ARE IN METRIC AND TOLERANCES ARE: <0.5mm ± 0.05mm 0.5 - 6mm ± 0.1mm 6 - 30mm ± 0.2mm 30 - 120mm ± 0.3mm ANGLES ± 1°	MATERIAL	DRAWN	DATE	TITLE SMA SOLDER PLUG ANTI-TORQUE BODY .085" CABLE		Amphenol RF www.amphenolrf.com		
	SEE NOTES	WIKI	17-Mar-20					
NOTICE - These drawings, specifications, or other data (1) are, and remain the property of Amphenol corp. (2) must be returned upon request; and (3) are confidential and not to be disclosed to any person other than those to whom they are given by Amphenol Corp. the furnishing of these drawings, specifications, or other data by Amphenol Corp., or to any other person to anyone for any purpose is not to be regarded by implication or otherwise in any manner licensing, granting rights to permitting such holder or any other person to manufacture, use or sell any product, process or design, patented or otherwise, that may in any way be related to or disclosed by said drawings, specifications, or other data.	REFERENCE	ENGINEER	DATE	SCALE: 12.0:1.0 SHEET 2 OF 2		DRAWING NO. 901-10709		
	EAR# 6826.1	STAR	17-Mar-20					
	REF: ---	APPROVED	S.HSIEH	DATE	DWG SIZE B		REV A	
	CONFIGURATION LEVEL: In Work	CAD FILE		26-Mar-20				
FINISH						PART NO. 901-10709		