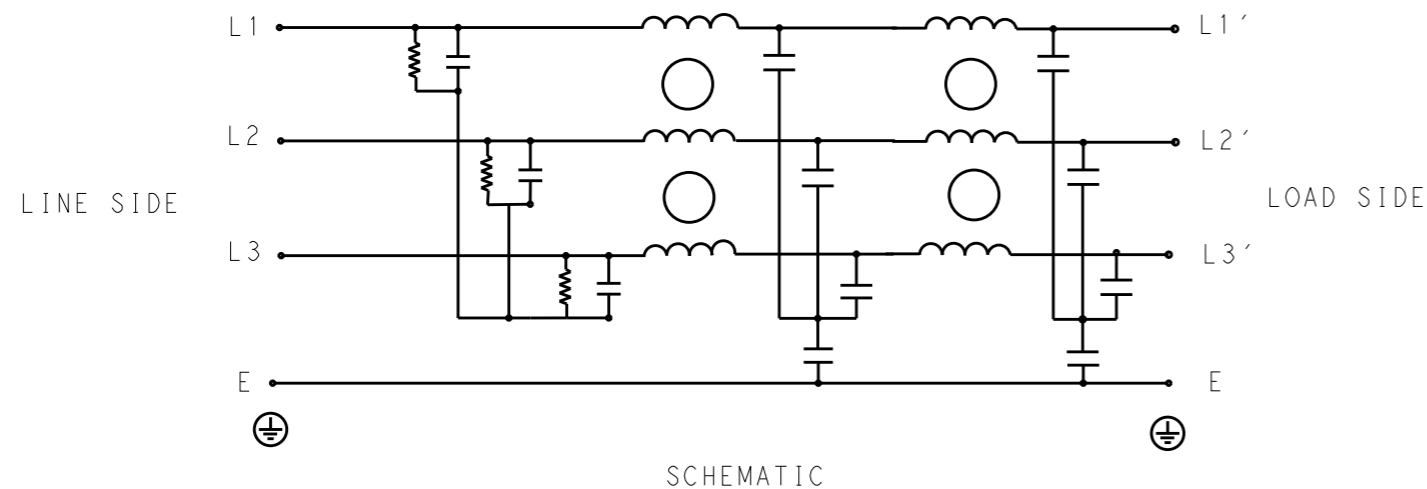


P	LTR	DESCRIPTION	DATE	DWN	APVD
	B	INITIAL RELEASE	08JUL2020	SB	LI



TYPICAL INSERTION LOSS  
COMMON MODE 50/50Ω; DIFFERENTIAL MODE 50/50Ω

MHz	0.01	0.05	0.15	0.5	1	3	5	10	30
CM	11	20	72	75	77	66	62	51	32
DM	29	36	76	78	79	64	48	23	26

SAFETY ORGANIZATIONS

THIS FILTER WILL BE FORMALLY RECOGNIZED, CERTIFIED OR APPROVED BY THE LISTED AGENCY. THEREFORE, ALL TEST/REQUIREMENTS SPECIFIED IN THE LATEST REVISION OF THE FOLLOWING AGENCY STANDARDS WILL BE MET:

UL RECOGNIZED\* 40A 440V 50Hz/60Hz 40°C  
 CSA CERTIFIED\*\* 40A 440V 50Hz/60Hz 40°C

\* 31 JULY 2020 ; \*\* 31 AUGUST 2020

OPERATING SPECIFICATION

LINE CURRENT/VOLTAGE: 40A, 440VAC  
 LINE FREQUENCY: 50/60Hz

MAXIMUM LEAKAGE CURRENT: 6mA @ 230VAC, 50Hz

OPERATING AMBIENT TEMPERATURE RANGE @ RATED CURRENT: -25°C TO +40°C

IN AN AMBIENT, T<sub>a</sub>, HIGHER THAN 40°C, THE MAXIMUM OPERATING CURRENT, I<sub>o</sub>, IS AS FOLLOWS:

$$I_o = I_r \sqrt{\frac{85 - T_a}{45}}$$

RELIABILITY SPECIFICATIONS

STORAGE TEMPERATURE: -40°C TO +85°C  
 HUMIDITY: 21 DAYS @ 40°C AND 95% RH

TEST SPECIFICATIONS

INDUCTANCE, NOMINAL: 2mH

CAPACITANCE @ 1kHz

LINE TO GROUND, NOMINAL: 0.373μF  
 LINE TO LINE, NOMINAL: 7.1μF

DISCHARGE RESISTOR

L/L I.R. 2MΩ 1W  
 L/N I.R. XXX  
 L/G I.R. 1MΩ 1W  
 N/G I.R. XXX

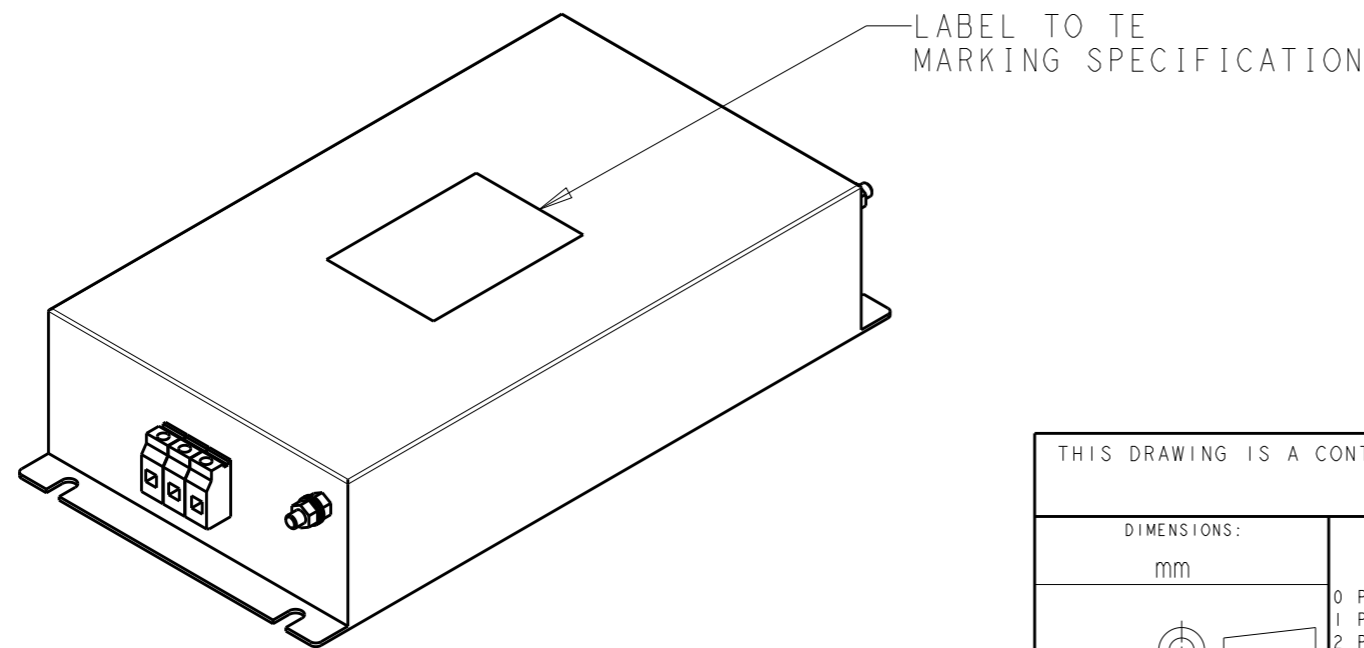
IR (NO DISCHARGE RESISTOR) 20°C, 50% RH AND 100VDC, MIN: 6MΩ

RECOMMENDED RECEIVING INSPECTION HIPOT

LINE TO GROUND FOR 1 MINUTE: 2632VDC  
 LINE TO LINE FOR 1 MINUTE: 1892VDC

FILTER APPROVAL

THE BEST WAY TO SELECT AND QUALIFY A FILTER IS FOR YOUR ENGINEERING TO TEST THE UNIT IN YOUR EQUIPMENT.



THIS DRAWING IS A CONTROLLED DOCUMENT.		DWN 27FEB2020 SHRICHARANA B		
DIMENSIONS: mm		CHK 27FEB2020 LEO IRUDHAYARAJ		
TOLERANCES UNLESS OTHERWISE SPECIFIED:		APVD 27FEB2020 LEO IRUDHAYARAJ	NAME POWER LINE FILTER 40KEHD10AFPD	
0 PLC ±-		PRODUCT SPEC	SIZE	
1 PLC ±0.5		APPLICATION SPEC	CAGE CODE	
2 PLC ±0.40		WEIGHT	DRAWING NO	
3 PLC ±0.130		CUSTOMER DRAWING	RESTRICTED TO	
4 PLC ±0.0500		SCALE 2:5	SHEET 1 OF 2	
ANGLES ±-		REV B		
MATERIAL		A300779 C-1-1609969-3		
FINISH				

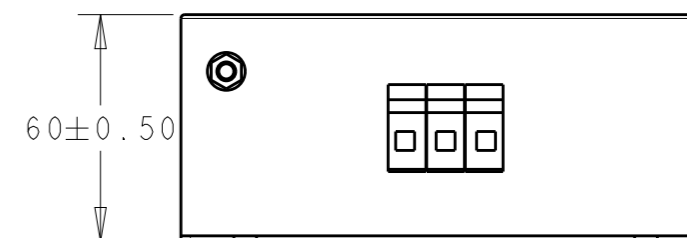
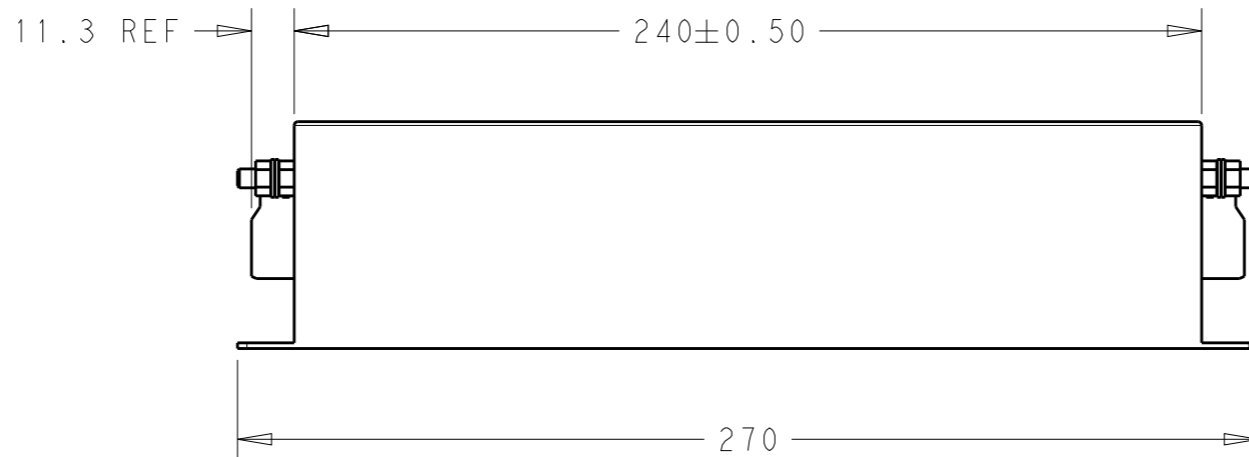
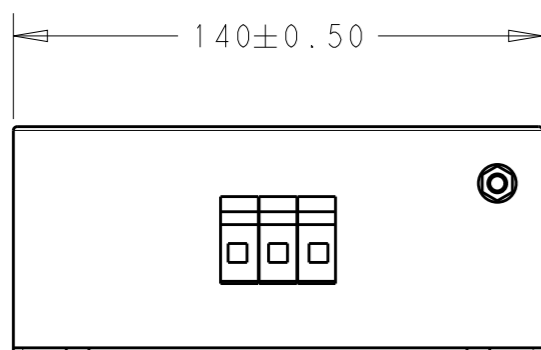
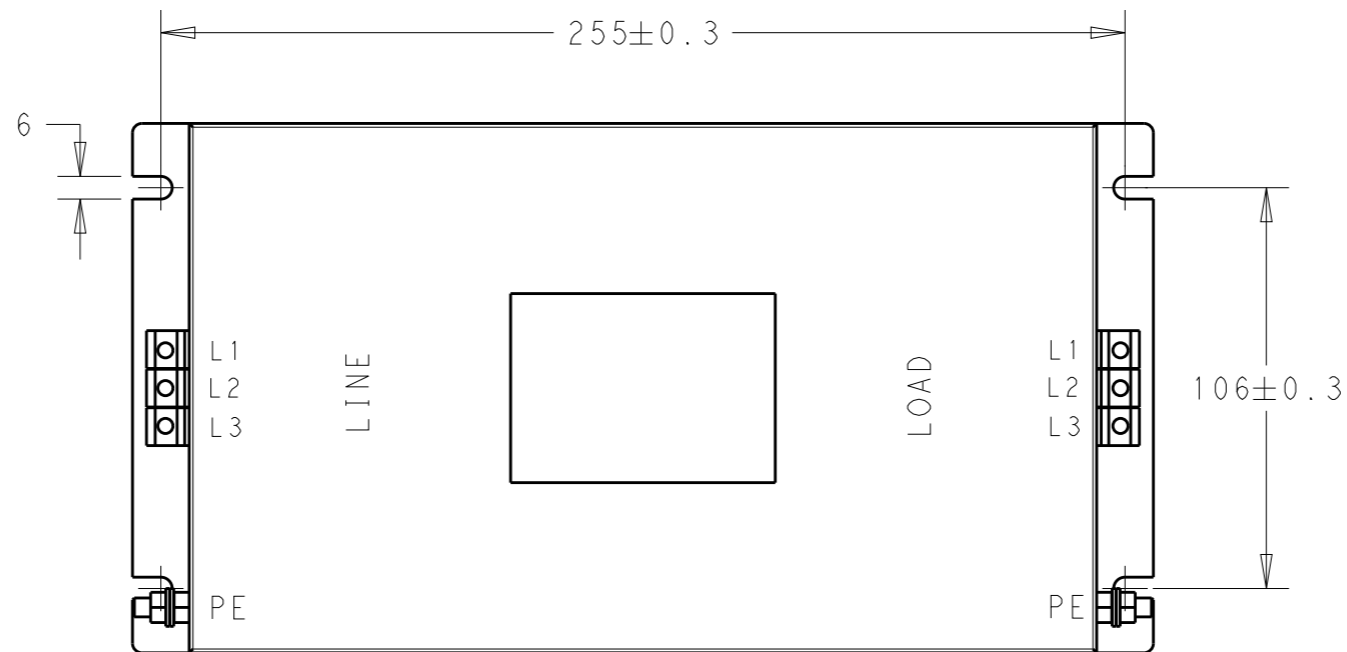
© 2020 TE Connectivity. All Rights Reserved.

NOTE 1 GROUND CONNECTION:  
 DO NOT LOOSEN INNER GROUND NUTS.  
 TORQUE OUTER TERMINAL SCREWS: 1.2Nm / 10.8 in.lbs  
 TORQUE GROUND NUTS: 2Nm

NOTE 2 INPUT OUTPUT CONNECTION TERMINAL  
 AWG SIZE: 26-8 AWG  
 WIRE SECTION: 10 mm<sup>2</sup>  
 THREADED BOLT SIZE FOR GROUND: M5

REVISIONS

P	LTR	DESCRIPTION	DATE	DWN	APVD
		SEE SHEET 1			



THIS DRAWING IS A CONTROLLED DOCUMENT.		DWN	27FEB2020		<b>TE</b> TE Connectivity									
		CHK	27FEB2020											
		APVD	27FEB2020											
			LEO IRUDHAYARAJ											
DIMENSIONS: mm		TOLERANCES UNLESS OTHERWISE SPECIFIED:		NAME POWER LINE FILTER 40KEHD10AFPD										
		0 PLC	±-		PRODUCT SPEC	<table border="1"> <tr> <td>SIZE</td> <td>CAGE CODE</td> <td>DRAWING NO</td> <td>RESTRICTED TO</td> </tr> <tr> <td>A3</td> <td>00779</td> <td>C-1-1609969-3</td> <td>-</td> </tr> </table>	SIZE	CAGE CODE	DRAWING NO	RESTRICTED TO	A3	00779	C-1-1609969-3	-
		SIZE	CAGE CODE	DRAWING NO	RESTRICTED TO									
		A3	00779	C-1-1609969-3	-									
		1 PLC	±0.5		APPLICATION SPEC									
2 PLC	±0.40													
3 PLC	±0.130													
4 PLC	±0.0500													
ANGLES	±-													
MATERIAL	FINISH	WEIGHT	SCALE 1:2 SHEET 2 OF 2 REV B											
-	-	-	CUSTOMER DRAWING											