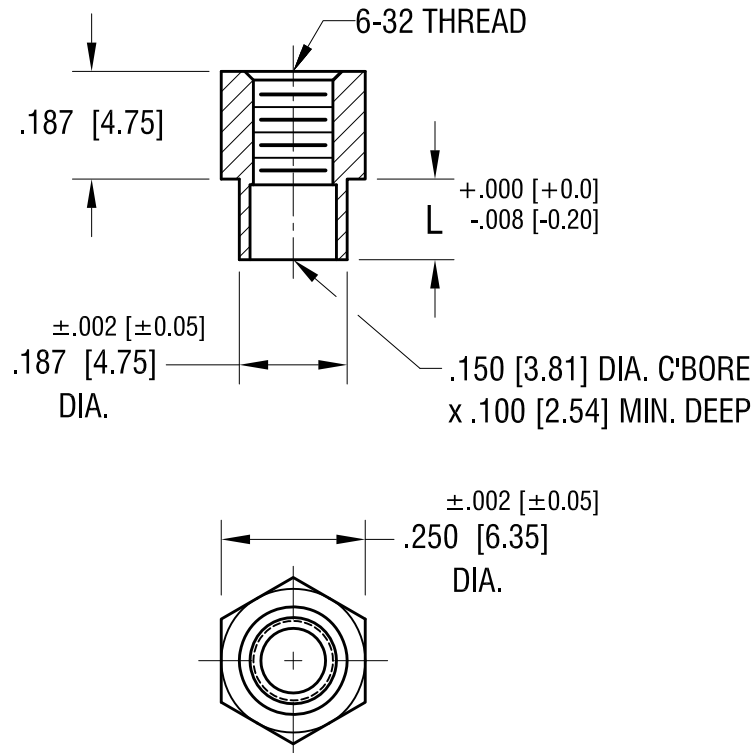


THIS DOCUMENT IS THE PROPERTY OF
KEYSTONE ELECTRONICS CORP. AND
SHALL NOT BE REPRODUCED, DISTRIBUTED
OR USED AS A BASIS FOR MANUFACTURE
WITHOUT PRIOR WRITTEN PERMISSION
FROM KEYSTONE ELECTRONICS CORP.

ACTUAL SIZE



P/N 1752-2



PART NO.	'L' DIM.
1752-2	.109 [2.77]
1752-3	.140 [3.56]
1752-4	.171 [4.34]

KEYSTONE ELECTRONICS CORP.

www.keyelco.com • NEW HYDE PARK NY 11040 • Tel (516)328-7500

PART NAME

SWAGE THREADED STANDOFF

MATERIAL

BRASS

FINISH DUCTILE
NICKEL PLATE

DRN BY BOONE

DATE 2.22.99

APP'D LN

SCALE 3X

TOLERANCES INCH [MM]
DECIMAL $\pm .005 [\pm 0.13]$
ANGULAR $\pm 1^\circ$
UNLESS OTHERWISE SPECIFIED

CODE DWG NO.

C

1752-

ADD CHAMFER (B1)

11.22.21 CHANGE AS PER ECN 21-172

B

5.16.02 CHANGE AS PER ECN 02-053

A

DATE

DESCRIPTION

REV.