

Housing - HC-B 24-TFQ-H-M1PG21S - 1460231

Please be informed that the data shown in this PDF Document is generated from our Online Catalog. Please find the complete data in the user's documentation. Our General Terms of Use for Downloads are valid (<http://phoenixcontact.com/download>)



HEAVYCON B24 sleeve housing, for double locking latch, height: 76 mm, with 1 x Pg21 screw connection, lateral cable outlet



Key Commercial Data

Packing unit	10 pc
GTIN	
GTIN	4046356794299

Technical data

Ambient conditions

Degree of protection of housing (IP)	IP65
Ambient temperature (operation)	-40 °C ... 125 °C

General

Note	For contact inserts HC-B24, BB46, BBB64, D64, DD108, M
Size	B24
Housing type	Sleeve housing
Locking type	for double locking latch
No. of cable outlets	1
Cable outlet	lateral
Screw connection	with
Type of the screw connection	1x Pg21
Housing material	Aluminum die-cast
Housing surface material	Powder-coated, gray
Cable gland material	Brass
Cable seal material	NBR

Environmental Product Compliance

China RoHS	Environmentally friendly use period: unlimited = EFUP-e
------------	---

Housing - HC-B 24-TFQ-H-M1PG21S - 1460231

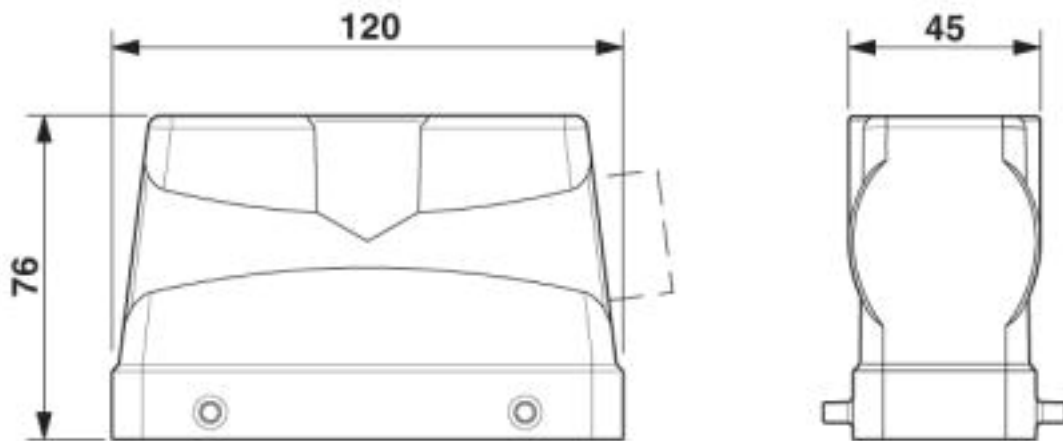
Technical data

Environmental Product Compliance

	No hazardous substances above threshold values
--	--

Drawings

Dimensional drawing



Dimensional drawing

Approvals

Approvals

Approvals

EAC

Ex Approvals

Approval details

EAC		RU C- DE.AI30.B.01102
-----	--	--------------------------

Phoenix Contact 2019 © - all rights reserved
<http://www.phoenixcontact.com>

PHOENIX CONTACT GmbH & Co. KG
Flachmarktstr. 8
32825 Blomberg
Germany
Tel. +49 5235 300
Fax +49 5235 3 41200
<http://www.phoenixcontact.com>