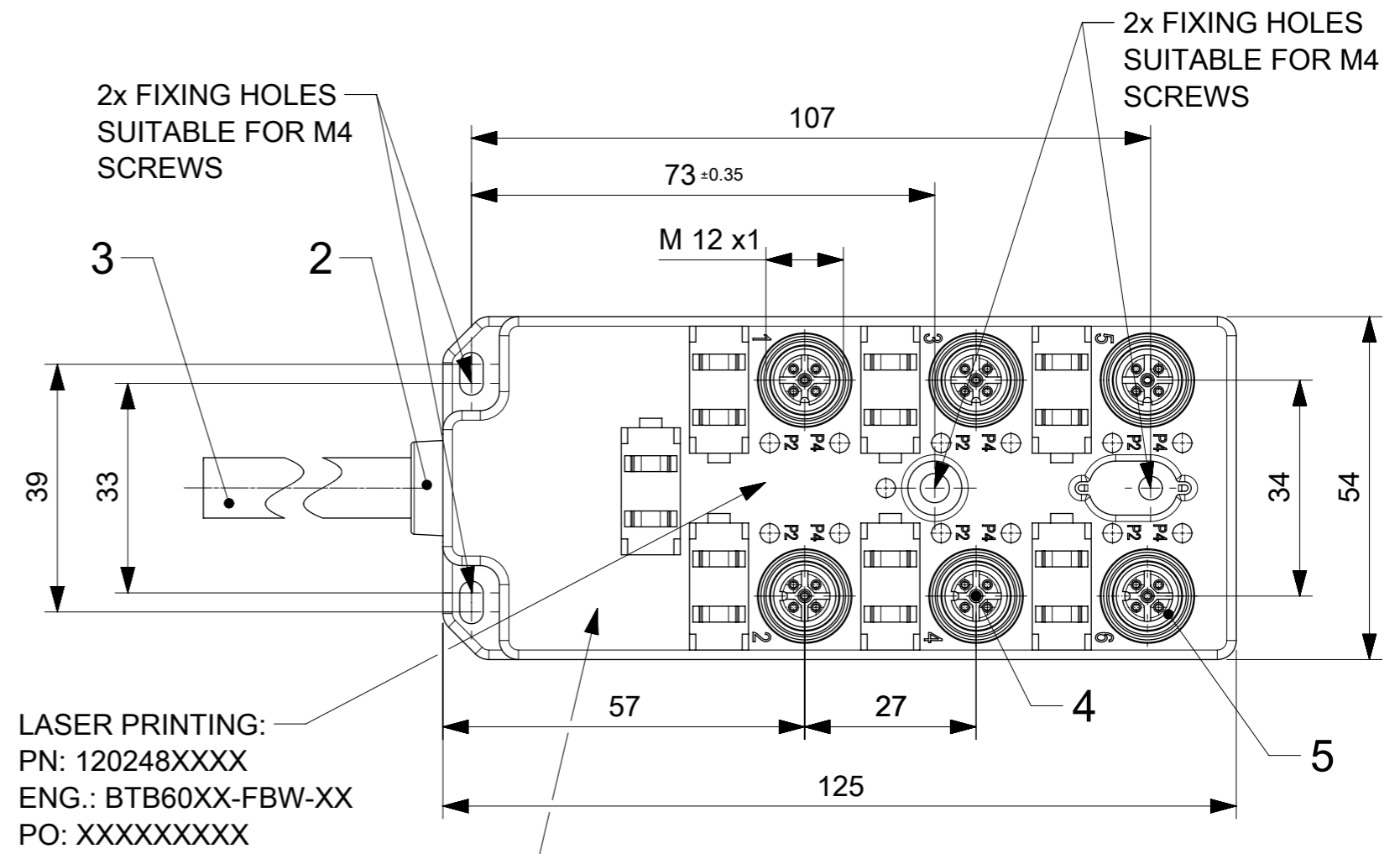


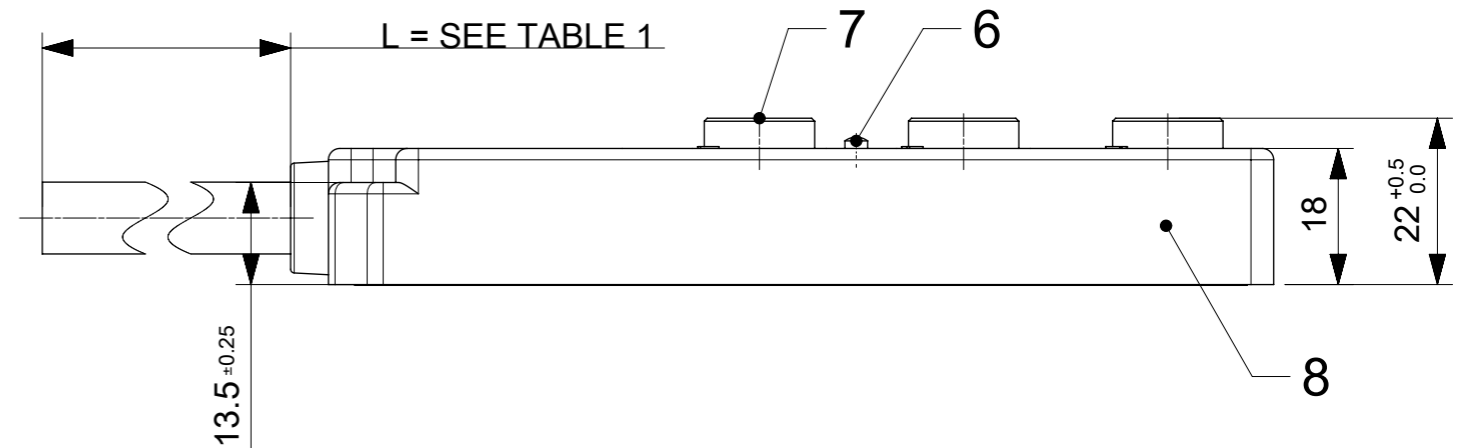
**TABLE 1 DUAL WIRED**

MOLEX P/N	ENG. NO.	CABLE LENGTH (mm) + TOLERANCE	LED
1202480037	BTB6050-FBW-05	5000 +165	NO
1202480038	BTB6050-FBW-10	10000 +317	NO
1202480039	BTB6050-FBW-15	15000 +610	NO
1202480040	BTB605P-FBW-05	5000 +165	YES
1202480041	BTB605P-FBW-10	10000 +317	YES
1202480042	BTB605P-FBW-15	15000 +610	YES
1202480043	BTB605N-FBW-05	5000 +165	YES
1202480044	BTB605N-FBW-10	10000 +317	YES
1202480045	BTB605N-FBW-15	15000 +610	YES



**TABLE 2 BILL OF MATERIAL**

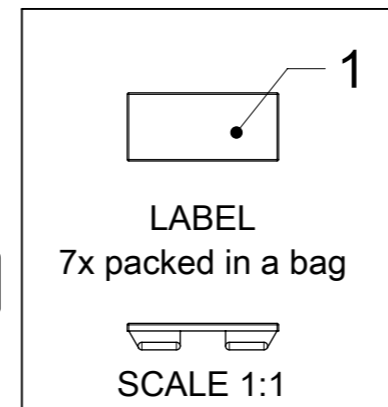
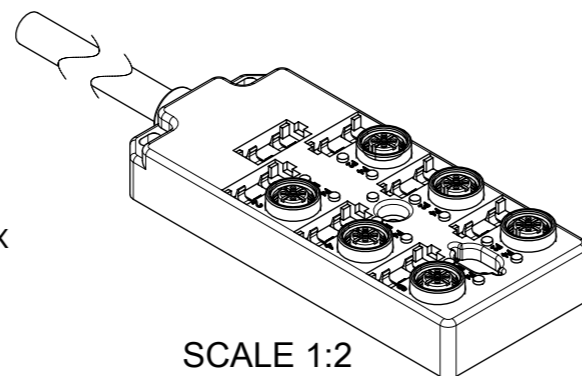
ITEM	DESCRIPTION	MATERIAL	FINISH
1	LABEL	ABS	WHITE
2	CABLE PLATE	PBT	BLACK
3	CABLE	TPU BASED	BLACK
4	CONTACT	BRONZE	GOLD OVER NICKEL
5	O-RING	FPM	RED
6	LED DUAL WIRED	NO LED = PA	BLACK
		WITH LED = PA	TRANSPARENT
7	SHELL	BRASS	NICKEL PLATED
8	HOUSING	PBT	BLACK



**GENERAL CHARACTERISTICS:**

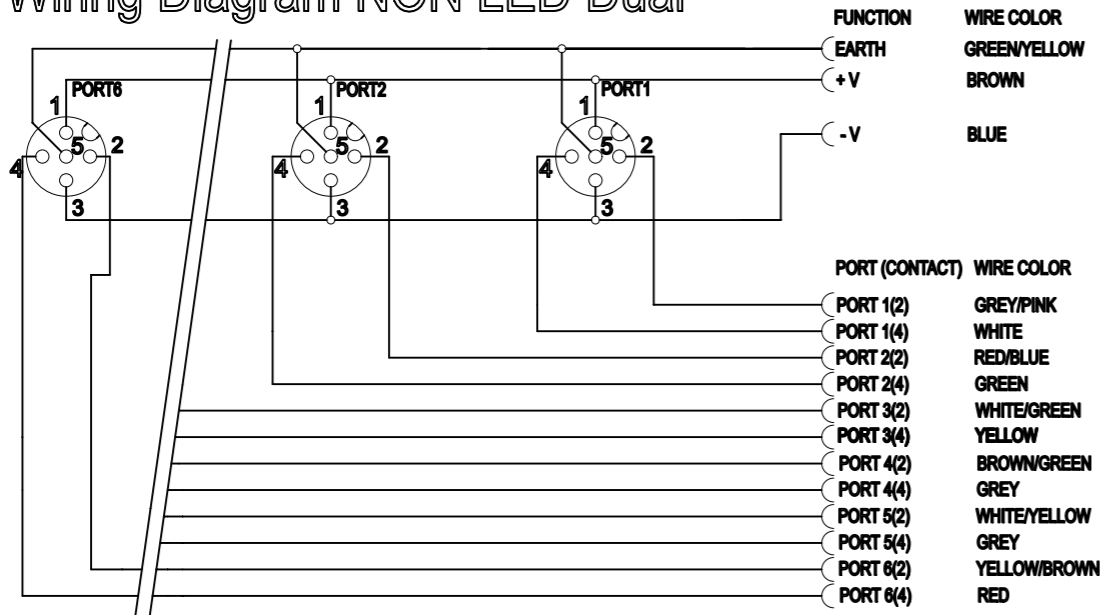
ELECTRICAL AND MECHANICAL DATA ACC. TO IEC 61076-2-101

NOMINAL VOLTAGE: 10-30 V DC  
 AMPERE RATING: 4 A PER PORT / 12 A MAX  
 AMPERE RATING WITH UL REGISTRATION: 3 A PER PORT / 9 A MAX  
 IP DEGREE OF PROTECTION: IP 67  
 TEMPERATURE RANGE: -25°C to + 85°C

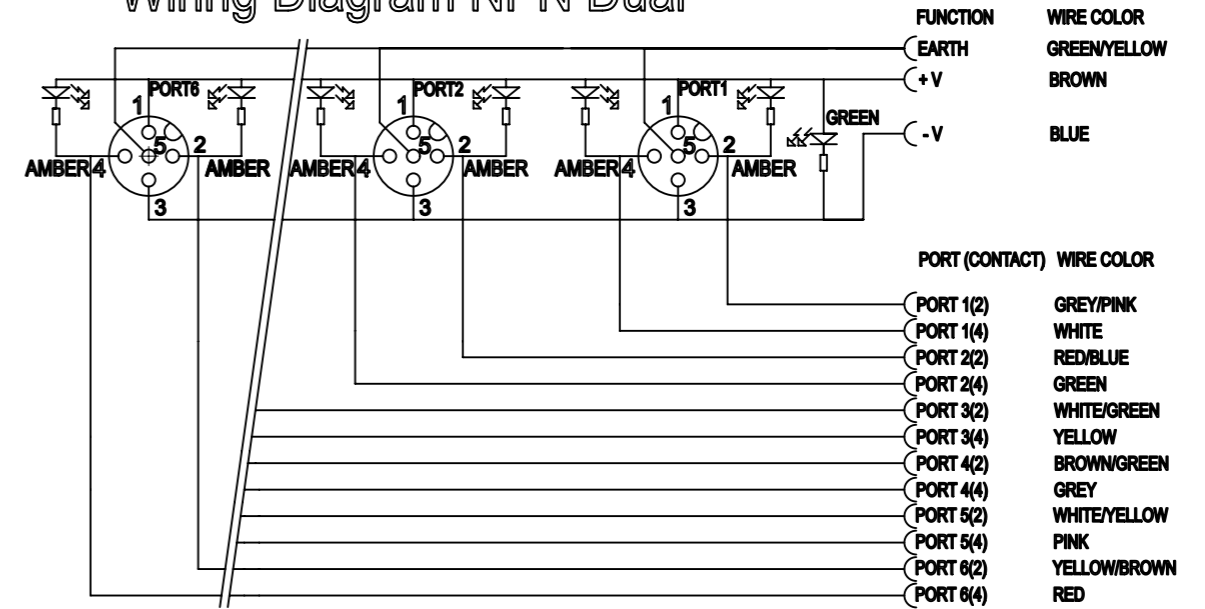


FUNCTIONAL SYMBOLS	THIS DRAWING CONTAINS INFORMATION THAT IS PROPRIETARY TO MOLEX ELECTRONIC TECHNOLOGIES, LLC AND SHOULD NOT BE USED WITHOUT WRITTEN PERMISSION		CURRENT REV DESC: ADDED TOLERANCE						
	$\nabla_A = 0$ $\nabla_F = 0$ $\nabla_V = 0$	mm	1:1	GENERAL TOLERANCES (UNLESS SPECIFIED)		MPIS M12 PNP NPN NOS 5P 6PT AC FE STR XM STA DUAL			
DIVISIONAL SYMBOLS	4 PLACES	±	ANGULAR TOL	± °	EC NO: 679945				
	3 PLACES	±			DRWN: MDHARMANTI 2021/09/28				
	2 PLACES	±			CHK'D: RSILLER 2021/10/04				
	1 PLACE	±			APPR: RSILLER 2021/10/04				
	0 PLACES	± 0.25			INITIAL REVISION:				
	DRAFT WHERE APPLICABLE MUST REMAIN WITHIN DIMENSIONS		THIRD ANGLE PROJECTION	DRAWING	SERIES	DOCUMENT NUMBER	DOC TYPE	DOC PART	REVISION
				A3-SIZE	120248	1202480037	PSD	000	B1
						SEE TABLE 1	GENERAL MARKET		1 OF 2

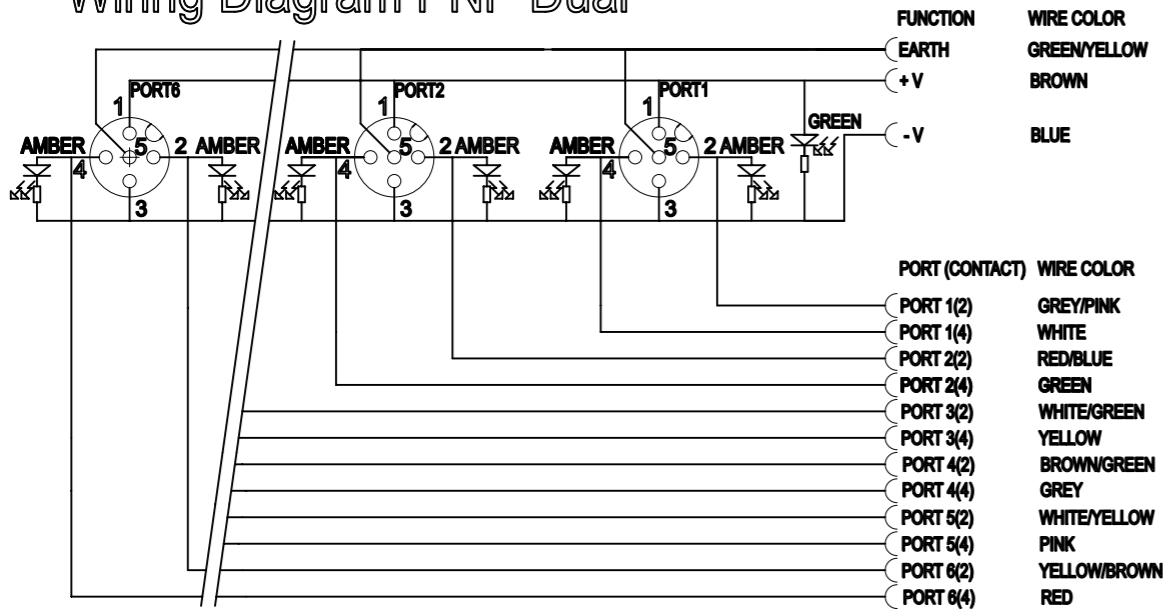
### Wiring Diagram NON LED Dual



### Wiring Diagram NPN Dual



### Wiring Diagram PNP Dual



FUNCTIONAL SYMBOLS	THIS DRAWING CONTAINS INFORMATION THAT IS PROPRIETARY TO MOLEX ELECTRONIC TECHNOLOGIES, LLC AND SHOULD NOT BE USED WITHOUT WRITTEN PERMISSION		CURRENT REV DESC: ADDED TOLERANCE		
	$\nabla_A = 0$ $\nabla_F = 0$ $\nabla_P = 0$	DIMENSION UNITS: mm SCALE: 1:1 GENERAL TOLERANCES (UNLESS SPECIFIED) ANGULAR TOL ± ° 4 PLACES ± 3 PLACES ± 2 PLACES ± 1 PLACE ± 0 PLACES ± 0.25	EC NO: 679945 DRWN: MDHARMANTI 2021/09/28 CHK'D: RSILLER 2021/10/04 APPR: RSILLER 2021/10/04		
DIVISIONAL SYMBOLS	DRAFT WHERE APPLICABLE MUST REMAIN WITHIN DIMENSIONS THIRD ANGLE PROJECTION		DRAWING: A3-SIZE SERIES: 120248	INITIAL REVISION: DRWN: AAHLERS 2015/04/07 APPR: RSILLER 2017/01/13	DOCUMENT NUMBER: 1202480037 DOC TYPE: PSD DOC PART: 000 REVISION: B1
	MATERIAL NUMBER: SEE TABLE 1 CUSTOMER: GENERAL MARKET		SHEET NUMBER: 2 OF 2		