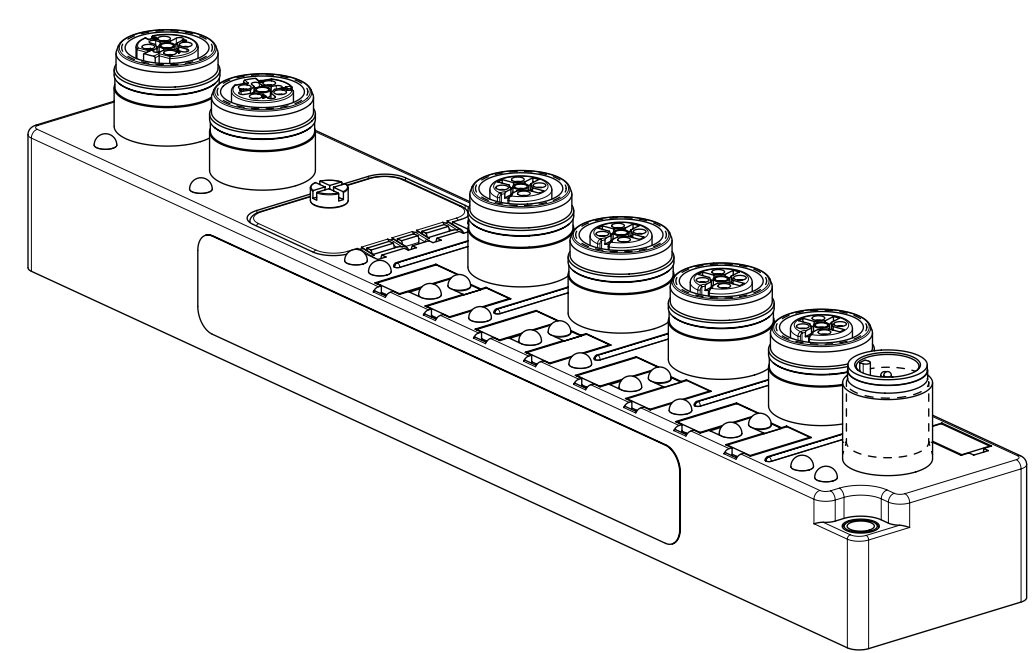


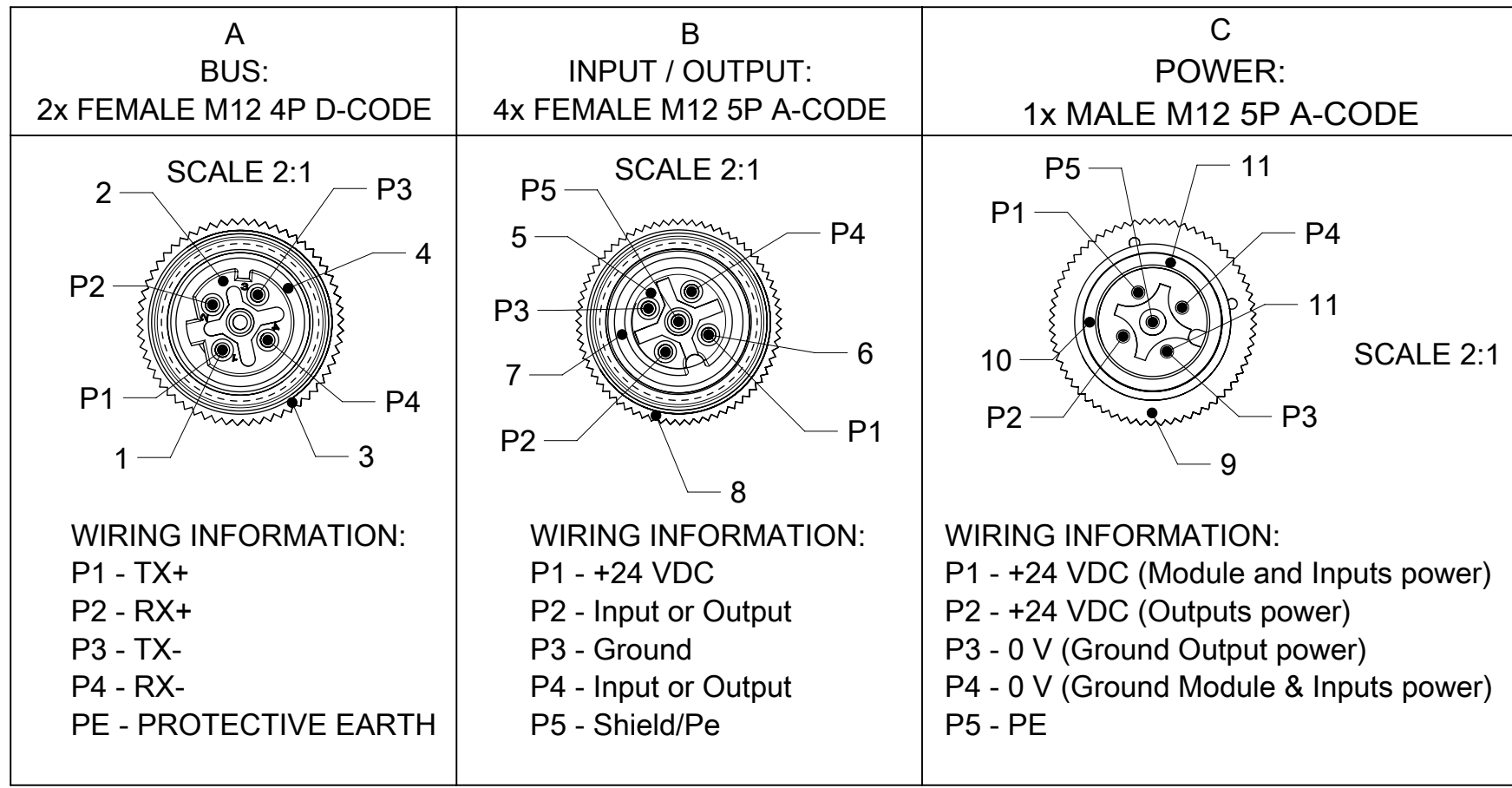
2x FIXING HOLES
SUITABLE FOR M3
SCREWS

SCALE 1:1



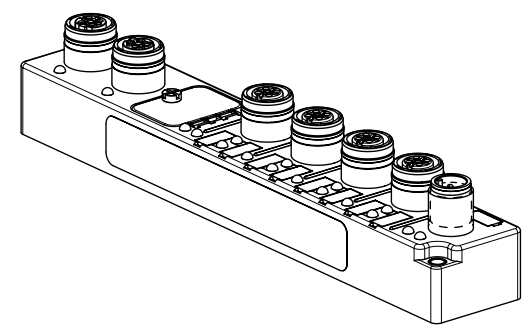
SYMBOLS		THIS DRAWING CONTAINS INFORMATION THAT IS PROPRIETARY TO MOLEX ELECTRONIC TECHNOLOGIES, LLC AND SHOULD NOT BE USED WITHOUT WRITTEN PERMISSION		CURRENT REV DESC: DESCRIPTION, TABLE		molex	
▽ = 0	mm	GENERAL TOLERANCES (UNLESS SPECIFIED)		EC NO: 177334			
▽ = 0		ANGULAR TOL ± °		DRWN: ULETENMEIER 2018/05/28		PRODUCT CUSTOMER DRAWING	
▽ = 0		4 PLACES ±		CHK'D: THAERDT 2018/05/28		DOCUMENT NUMBER	
▽ = 0		3 PLACES ±		APPR: THAERDT 2018/05/28		1120955076	
▽ = 0		2 PLACES ±		INITIAL REVISION:		DOC TYPE	
▽ = 0		1 PLACE ± 0.3		DRWN: ULETENMEIER 2015/01/28		PSD	
▽ = 0		0 PLACES ± 0.5		APPR: RSILLER 2015/05/20		DOC PART	
□ = 0		DRAFT WHERE APPLICABLE MUST REMAIN WITHIN DIMENSIONS		THIRD ANGLE PROJECTION		REVISION	
▽ = 0				DRAWING		A8	
				SERIES		SHEET NUMBER	
				A3-SIZE		1 OF 3	
				112095		1	
				SEE TABLE 1		GENERAL MARKET	
				CUSTOMER			

DOCUMENT STATUS	P1	RELEASE DATE	2018/05/28	12:25:47
-----------------	----	--------------	------------	----------

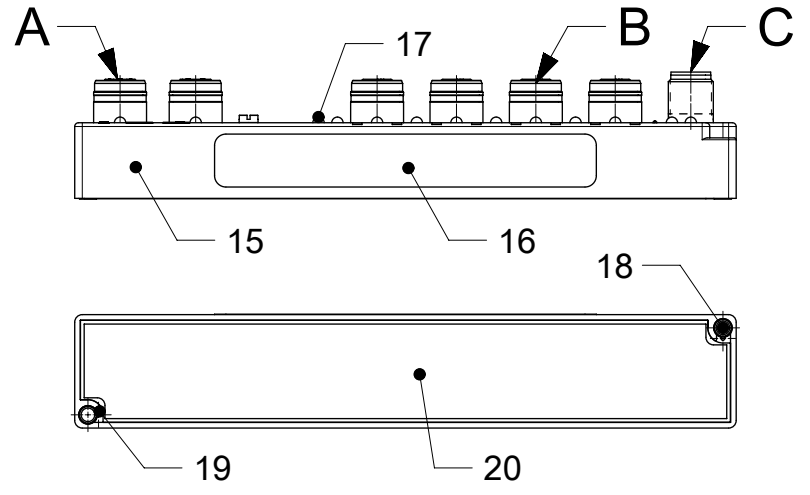
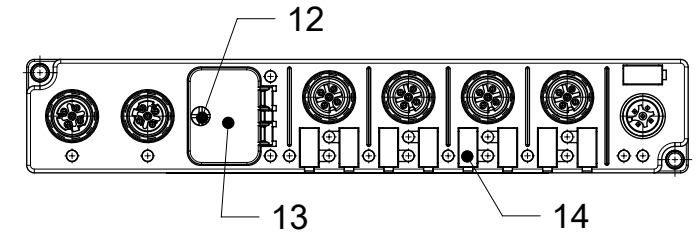


BILL OF MATERIAL

ITEM	DESCRIPTION	MATERIAL	FINISH
1	CONTACT	COPPER ALLOY	GOLD OVER NICKEL
2	INSERT	TPU	BLACK
3	SHELL	BRASS	NICKEL PLATET
4	GASKET	FPM	RED
5	INSERT	TPU	BLACK
6	CONTACT	COPPER ALLOY	GOLD OVER NICKEL
7	GASKET	FPM	RED
8	SHELL	BRASS	NICKEL PLATET
9	SHELL	BRASS	NICKEL PLATET
10	INSERT	PA	BLACK
11	INSERT	PA	BLACK
12	SCREW	V2A	V2A
13	WINDOW	PC	TRANSPARENT
14	LABEL	PC	WHITE
15	HOUSING	PBT	BLACK
16	LABEL	PVC	YELLOW
17	LED	PA	TRANSPARENT
18	SLEEVE	BRASS	NICKEL
19	RESIN	EPOXY	TRANSPARENT
20	LABEL	PVC	WHITE



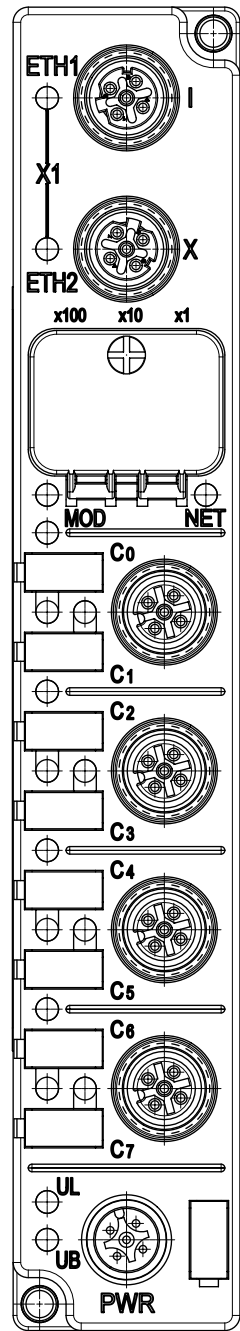
SCALE 1:2



SYMBOLS	THIS DRAWING CONTAINS INFORMATION THAT IS PROPRIETARY TO MOLEX ELECTRONIC TECHNOLOGIES, LLC AND SHOULD NOT BE USED WITHOUT WRITTEN PERMISSION		CURRENT REV DESC: DESCRIPTION, TABLE		
	DIMENSION UNITS	SCALE			
▽ = 0	mm		EC NO: 177334		PRODUCT CUSTOMER DRAWING DOCUMENT NUMBER: 1120955076 DOC TYPE: PSD DOC PART: 000 REVISION: A8
▽ = 0	GENERAL TOLERANCES (UNLESS SPECIFIED)		DRWN: ULETTENMEIER 2018/05/28		
▽ = 0	ANGULAR TOL ± °		CHK'D: THAERDT 2018/05/28		
▽ = 0	4 PLACES ±		APPR: THAERDT 2018/05/28		
▽ = 0	3 PLACES ±		INITIAL REVISION:		
▽ = 0	2 PLACES ±		DRWN: ULETTENMEIER 2015/01/28		
▽ = 0	1 PLACE ± 0.3		APPR: RSILLER 2015/05/20		
▽ = 0	0 PLACES ± 0.5		THIRD ANGLE PROJECTION		
□ = 0	DRAFT WHERE APPLICABLE MUST REMAIN WITHIN DIMENSIONS		DRAWING	SERIES	MATERIAL NUMBER
▽ = 0			A3-SIZE	112095	SEE TABLE 1
			CUSTOMER	GENERAL MARKET	
			SHEET NUMBER		2 OF 3

TABLE 1 UNIVERSAL PRINTING

POWER TYPE	INPUT / OUTPUT	PROFINET		EtherNet/IP		3D MODEL NO.
		ENG. NO.	MOLEX P/N	ENG. NO.	MOLEX P/N	
M12 MALE 5P	8I	TBDEP-480P-D8U-G	1120955076			1120955076 (PDM)
	4I/4O	TBDEP-444P-D8U-G	1120955077			
	8O	TBDEP-408P-D8U-G	1120955078			
	8 USER CONFIG.	TBDEP-4YYP-D8U	1120955079	TBDEI-4YYP-D8U	1120955083	



UNIVERSAL PRINTING
SCALE 1:1

SYMBOLS	THIS DRAWING CONTAINS INFORMATION THAT IS PROPRIETARY TO MOLEX ELECTRONIC TECHNOLOGIES, LLC AND SHOULD NOT BE USED WITHOUT WRITTEN PERMISSION		CURRENT REV DESC: DESCRIPTION, TABLE		molex		
	▽ = 0	mm					
▽ = 0	GENERAL TOLERANCES (UNLESS SPECIFIED)		EC NO: 177334		PRODUCT CUSTOMER DRAWING		
▽ = 0	ANGULAR TOL ± °		DRWN: ULETTENMEIER 2018/05/28				
▽ = 0	4 PLACES ±		CHK'D: THAERDT 2018/05/28		DOCUMENT NUMBER: 1120955076 DOC TYPE: PSD DOC PART: 000 REVISION: A8		
▽ = 0	3 PLACES ±		APPR: THAERDT 2018/05/28				
▽ = 0	2 PLACES ±		INITIAL REVISION:		MATERIAL NUMBER: SEE TABLE 1 CUSTOMER: GENERAL MARKET SHEET NUMBER: 3 OF 3		
▽ = 0	1 PLACE ± 0.3		DRWN: ULETTENMEIER 2015/01/28				
▽ = 0	0 PLACES ± 0.5		APPR: RSILLER 2015/05/20		SERIES: A3-SIZE 112095		
▽ = 0	DRAFT WHERE APPLICABLE MUST REMAIN WITHIN DIMENSIONS		THIRD ANGLE PROJECTION				