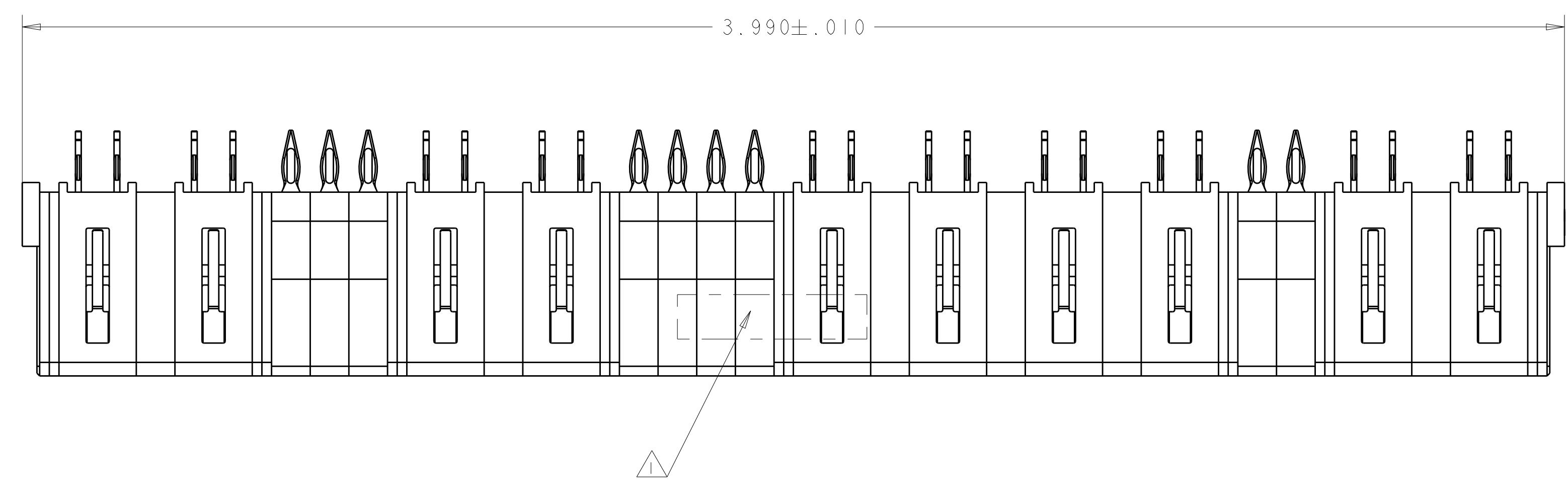
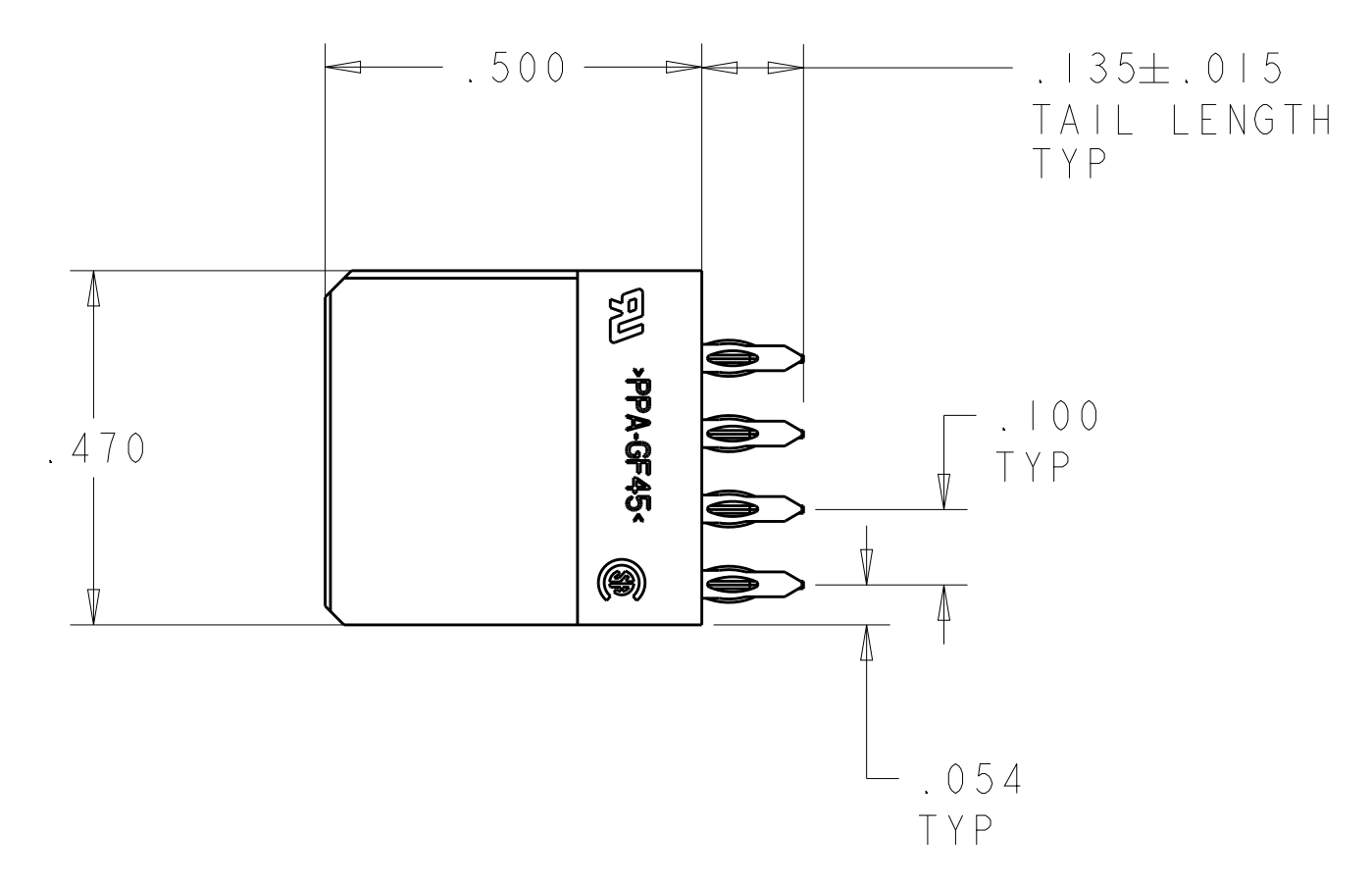
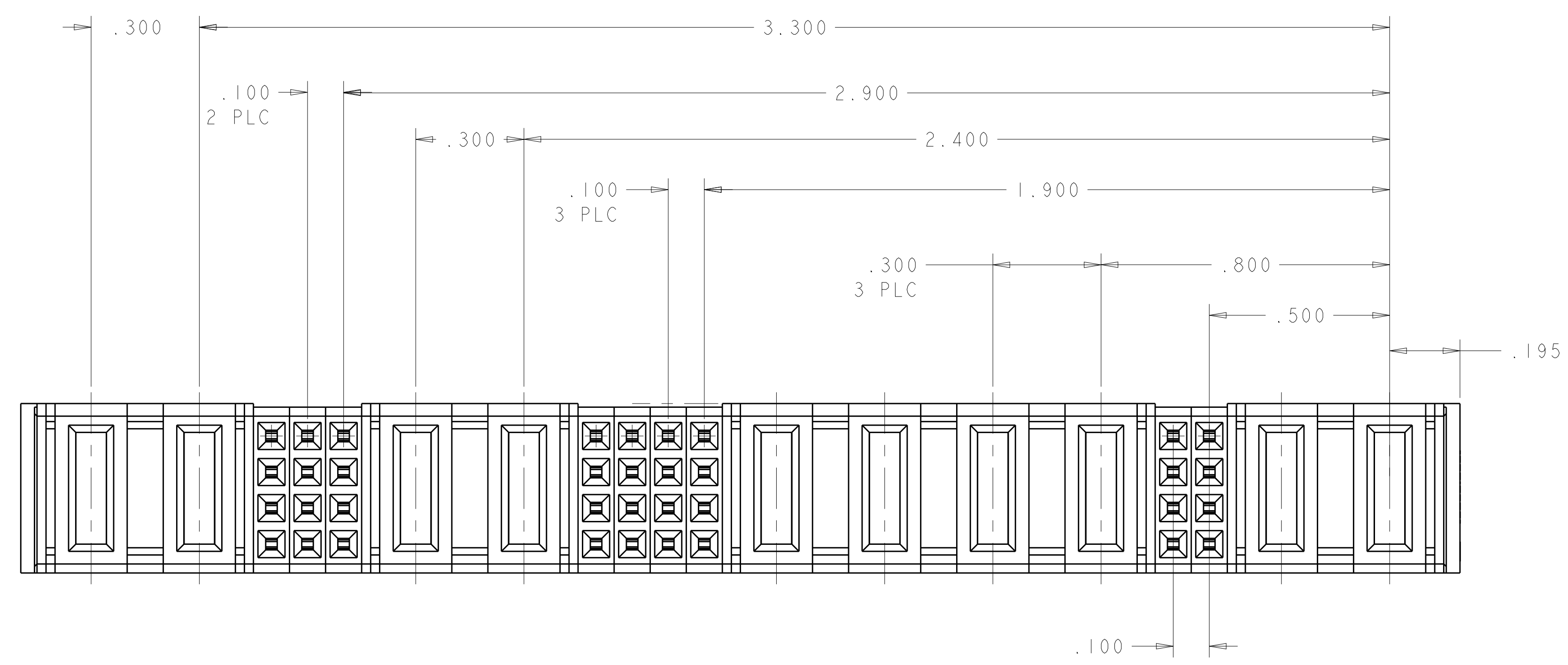


REVISIONS					
P.	LTN	DESCRIPTION	DATE	DMN	APVD
A1		REVISED	28SEP2014	CZ	SZ



- 1 "AMP", PART NUMBER AND DATE CODE TO BE MARKED IN AREA SHOWN PARTS UNDER 2.00 LONG MAY BE MARKED ON BOTH SIDES
- 2 MATERIAL: HOUSING - GLASS FILLED HIGH TEMP THERMO PLASTIC, UL94 V-0
 SIGNAL CONTACT - HIGH CONDUCTIVITY COPPER ALLOY
 POWER CONTACT - HIGH CONDUCTIVITY COPPER ALLOY
- 3 CONTACT PLATING: SIGNAL CONTACTS - .000050 MIN Ni UNDER ALL
 .000030 MIN Au ON CONTACT AREA
 .000100 MIN Sn AT PCB INTERFACE
 POWER CONTACTS - .000050 MIN Ni UNDER ALL
 .000030 MIN Au ON CONTACT AREA
 .000100 MIN Sn AT PCB INTERFACE
- 4 MECHANICAL CONNECTOR KEEP OUT ZONE
- 5 DATUM AND BASIC DIMENSIONS ESTABLISHED BY CUSTOMER
- 6 PCB - ALL HOLE DIAMETERS ARE FINISHED HOLE SIZES
- 7 PCB - 0.0453 ± .0010 DRILLED HOLES PLATED WITH .0003 MIN Sn OVER .001 TO .003 Cu PLATING TO ACHIEVE A .040 ± .003 HOLE

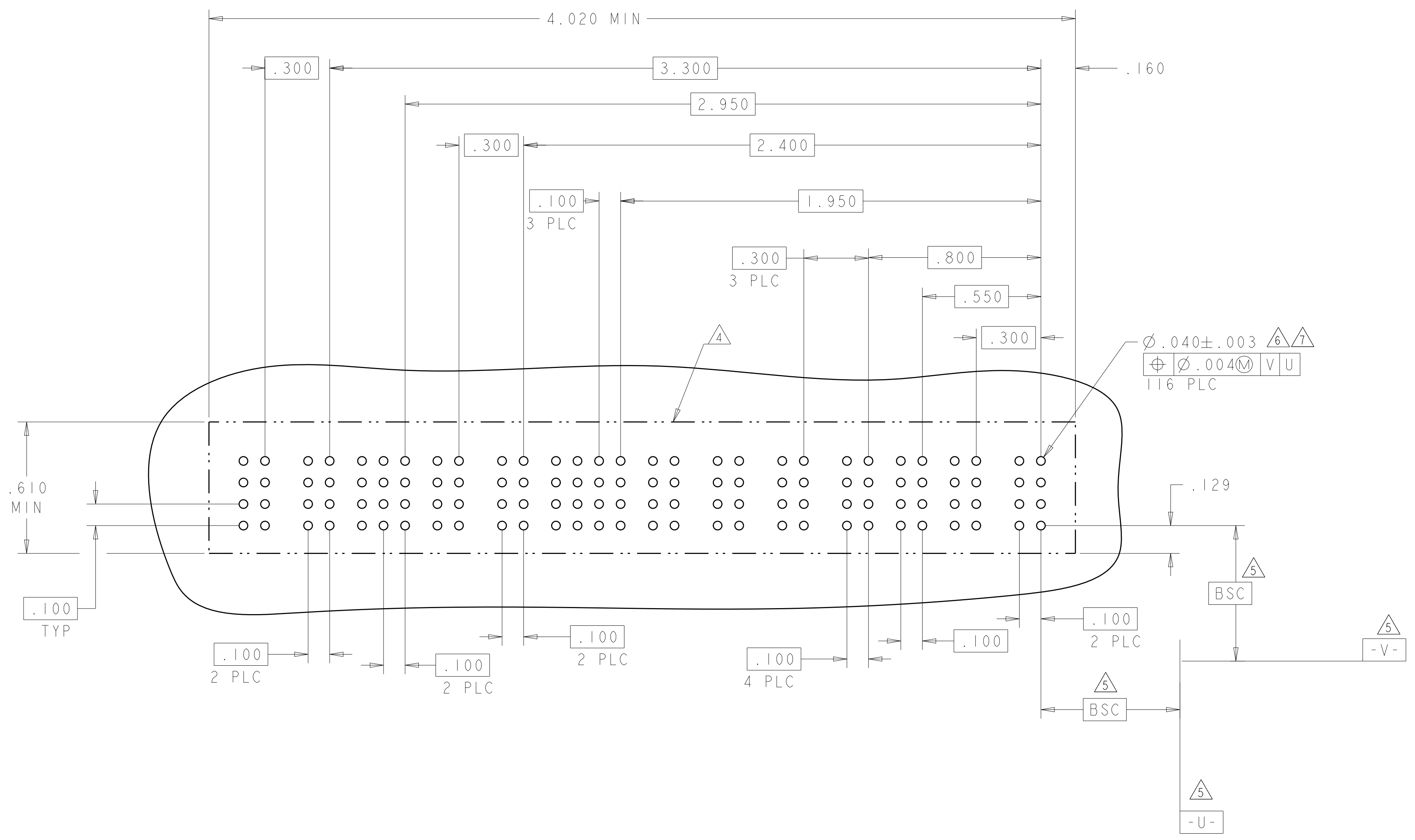


2ACP+8S+4ACP+16S+2ACP+12S+2ACP	I-6450869-0
DESCRIPTION	PART NUMBER

THIS DRAWING IS A CONTROLLED DOCUMENT.		DMN C. ZHOU CHK S. ZHAO APVD	28DEC2009	TE Connectivity	
DIMENSIONS: INCHES	TOLERANCES UNLESS OTHERWISE SPECIFIED:	PRODUCT SPEC	NAME	VER RECEPT ASSEMBLY, W/ LP CONTACTS WITHOUT GUIDES, PRESS FIT MULTI-BEAM XLE	
0 PLC ±	1 PLC ±.01	108-2292	SIZE	CAGE CODE	DRAWING NO
2 PLC ±.01	3 PLC ±.005	APPLICATION SPEC	A1	-	114-13251
4 PLC ±.0020	ANGLES ±.020	WEIGHT	SCALE	SHEET	OF
MATERIAL	FINISH	CUSTOMER DRAWING	N/A	1	2
				REV	A1

REVISIONS				
REV	LTN	DESCRIPTION	DATE	APVD
-	-	SEE SHEET 1	-	-

PART NUMBER	ROWS	POWER		SIGNAL			POWER		SIGNAL				POWER				SIGNAL		POWER	
		P10	P9	9	8	7	P8	P7	6	5	4	3	P6	P5	P4	P3	2	1	P2	P1
1-6450869-0	D C B A	GS	GS	AP	AP	AP	GS	GS	AP	AP	AP	AP	GS	GS	GS	GS	AP	AP	GS	GS
				AP	AP	AP			AP	AP	AP	AP					AP	AP		
				AP	AP	AP			AP	AP	AP	AP					AP	AP		
				AP	AP	AP			AP	AP	AP	AP					AP	AP		
2ACP+8S+4ACP+16S+2ACP+12S+2ACP																				



GS	STD POWER PRESS FIT CONTACT .135 TAIL LENGTH
AP	SIGNAL PRESS FIT CONTACT .135 TAIL LENGTH
CODE	TAIL LENGTH
CONTACT TABLE	

THIS DRAWING IS A CONTROLLED DOCUMENT.		DWN C. ZHOU	28DEC2009	TE Connectivity
DIMENSIONS: INCHES		CHK S. ZHAO	APVD	
TOLERANCES UNLESS OTHERWISE SPECIFIED:		PRODUCT SPEC		NAME VER RECEP ASSEMBLY, W/ LP CONTACTS WITHOUT GUIDES, PRESS FIT MULTI-BEAM XLE
0 PLC ±.01		108-2292		
2 PLC ±.01		APPLICATION SPEC		
3 PLC ±.005		114-13251		
4 PLC ±.002		WEIGHT		SIZE
ANGLES ±.2°		FINISH		CAGE CODE
MATERIAL		CUSTOMER DRAWING		DRAWING NO
FINISH		SCALE		RESTRICTED TO
		N/A		A1
		SHEET 2 OF 2		REV A1