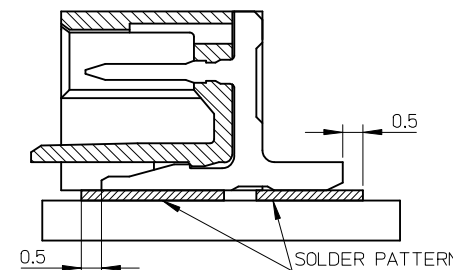


SECTION A-A



MOUNTING POSITION OF THE CONNECTOR

NOTES:

- MATERIALS:
HOUSING : GLASS-FILLED LIQUID CRYSTAL POLYMER, UL RATED 94V-0
COLOR: BEIGE
PINS: BRASS ALLOY, C26000
- PLATING: 2.54µM MIN. TIN OVER 1.27µM MIN. NICKEL EXCEPT AT CUT-EDGE WHERE THICKNESS CAN BE 1.90µM MIN.
- CUT-EDGE TIN MEASUREMENT POINT.
- DRAWING SHOWS PLUG WITH 5 CIRCUITS.
- HEADER TO BE USED WITH CRIMP HOUSING, P/N 87439 AND CRIMP TERMINAL, P/N 87421
- PRODUCT SPEC. PS-78047-001 APPLIES.

REVISED EC NO: J2014-0698 DRWNR: HORI 2013/10/24 CHKD: KASAKAWA 2013/10/22 APPR: NUKITA 2013/10/22	GENERAL TOLERANCES (UNLESS SPECIFIED)		DIMENSION STYLE MM ONLY	SCALE NTS	DESIGN UNITS METRIC	THIRD ANGLE PROJECTION
	10 UNDER	±0.20	DRAWN BY SKANG	DATE 2007/07/18	TITLE HEADER, 150MM PITCH W-T-B, R/A, SMT	
	10 OVER 30 UNDER	±0.20	CHECKED BY ATSEE	DATE 2007/07/25		
	30 OVER	±0.20	APPROVED BY MLONG	DATE 2007/07/25		
ANGULAR	±3 °	DRAFT WHERE APPLICABLE MUST REMAIN WITHIN DIMENSIONS	MATERIAL NO. SEE TABLE	DOCUMENT NO. SD-78048-001	SHEET NO. 1 OF 3	
			SIZE A3	THIS DRAWING CONTAINS INFORMATION THAT IS PROPRIETARY TO MOLEX INCORPORATED AND SHOULD NOT BE USED WITHOUT WRITTEN PERMISSION		

10 9 8 7 6 5 4 3 2 1

F

E

D


C

B

A

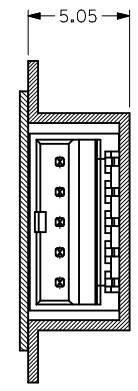
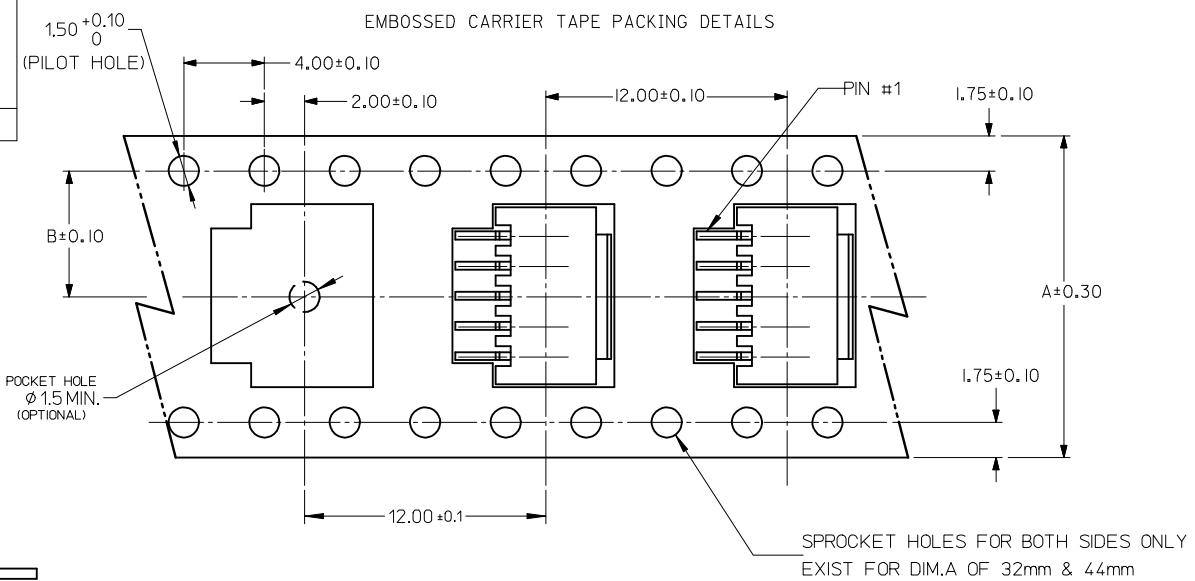
HOUSING COLOUR	HEADER IN TUBE PACKING	HEADER IN TAPE & REEL (W/O HOLE)	HEADER IN TAPE & REEL (WITH HOLE)	STATUS	CKT SIZE	A	B	C	D	E
BIEGE	78048-0242	78048-0243	---	M	2	1.50	3.30	3.70	4.30	1.70
	78048-0342	78048-0343	---	M	3	3.00	4.80	5.20	5.80	3.20
	78048-0442	78048-0443	---	M	4	4.50	6.30	6.70	7.30	4.70
	78048-0542	78048-0543	---	M	5	6.00	7.80	8.20	8.80	6.20
	78048-0642	78048-0643	---	M	6	7.50	9.30	9.70	10.30	7.70
	78048-0742	78048-0743	78048-0744	M	7	9.00	10.80	11.20	11.80	9.20
	78048-0842	78048-0843	---	M	8	10.50	12.30	12.70	13.30	10.70
	78048-0942	78048-0943	---	M	9	12.00	13.80	14.20	14.80	12.20
	78048-1042	78048-1043	---	M	10	13.50	15.30	15.70	16.30	13.70
	78048-1142	78048-1143	---	M	11	15.00	16.80	17.20	17.80	15.20
	78048-1242	78048-1243	---	M	12	16.50	18.30	18.70	19.30	16.70
	78048-1342	78048-1343	---	M	13	18.00	19.80	20.20	20.80	18.20
	78048-1442	78048-1443	---	M	14	19.50	21.30	21.70	22.30	19.70
	78048-1542	78048-1543	---	M	15	21.00	22.80	23.20	23.80	21.20

NOTES:
 REFER SHEET 3 FOR EMBOSSED TAPE POCKET HOLE DETAIL & POSITION

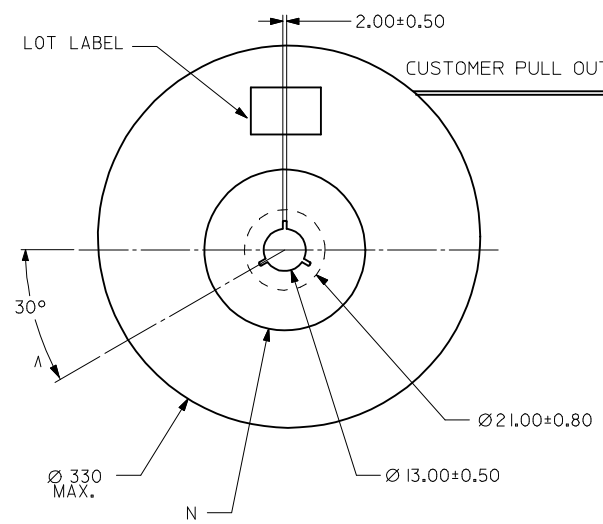
REVISED EC NO: J2014-0698 2013/10/21 DRWN:RHORI 2013/10/22 CHKD:KASAKAWA 2013/10/22 APPR:NUKITA	DESCRIPTION	GENERAL TOLERANCES (UNLESS SPECIFIED)	DIMENSION STYLE MM ONLY	SCALE NTS	DESIGN UNITS METRIC	THIRD ANGLE PROJECTION	
	REV	10 UNDER ± 0.20	DRAWN BY SKANG	DATE 2007/07/18	TITLE HEADER, 150MM PITCH W-T-B, R/A, SMT		
		10 OVER 30 UNDER ± 0.20	CHECKED BY ATSEE	DATE 2007/07/25			
		30 OVER ± 0.20	APPROVED BY MLONG	DATE 2007/07/25	 MATERIAL NO. SEE TABLE DOCUMENT NO. SD-78048-001 SHEET NO. 2 OF 3		
		ANGULAR ± 3 °	MATERIAL NO. SEE TABLE				
	DRAFT WHERE APPLICABLE MUST REMAIN WITHIN DIMENSIONS	THIS DRAWING CONTAINS INFORMATION THAT IS PROPRIETARY TO MOLEX INCORPORATED AND SHOULD NOT BE USED WITHOUT WRITTEN PERMISSION					

9 8 7 6 5 4 3 2

10	9	8	7	6	5	4	3	2	1
15	44	20.20	100	44.40	50.40				
11, 12, 13, 14	32	14.20	100	32.40	38.40				
7, 8, 9, 10	24	11.50	100	24.40	30.40				
2, 3, 4, 5, 6	16	7.50	100	16.40	22.40				
CIRCUIT SIZE	A	B	N	G	T MAX				

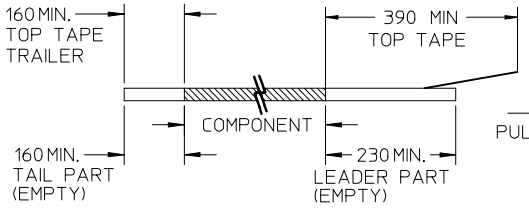


REEL DETAILS

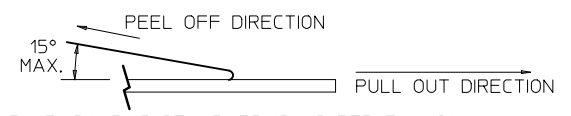


NOTES:

- LEADER AND TRAILER TAPE



- PEELING OFF FORCE OF THE TOP TAPE: 20-80gf. (PEELING DIRECTION AS SHOWN IN FOLLOWING FIGURE)



- PACKAGING STANDARD IS AS PER EIA-481.
- TAPE & REEL QUANTITY = 1000PCS/REEL
- THE TAPE IS TREATED FOR ANTI-STATIC

REVISED EC NO: J2014-0698 2013/10/21 DRW:RHORI CHKD:KASAKAWA 2013/10/22 APPR:NUKITA 2013/10/22	DESCRIPTION	GENERAL TOLERANCES (UNLESS SPECIFIED)		DIMENSION STYLE	SCALE	DESIGN UNITS	THIRD ANGLE PROJECTION	
		10 UNDER	± 0.20	MM ONLY	NTS	METRIC		
		10 OVER 30 UNDER	± 0.20	DRAWN BY	DATE	TITLE	HEADER, 150MM PITCH W-T-B, R/A, SMT	
		30 OVER	± 0.20	SKANG	2007/07/18			
REV	DESCRIPTION	ANGULAR	± 3 °	CHECKED BY	DATE	molex		
		DRAFT WHERE APPLICABLE MUST REMAIN WITHIN DIMENSIONS		ATSEE	2007/07/25			DOCUMENT NO.
				APPROVED BY	DATE	SD-78048-001		
				MLONG	2007/07/25	3 OF 3		
				MATERIAL NO.	SEE TABLE			
				SIZE	THIS DRAWING CONTAINS INFORMATION THAT IS PROPRIETARY TO MOLEX INCORPORATED AND SHOULD NOT BE USED WITHOUT WRITTEN PERMISSION			
				A3				