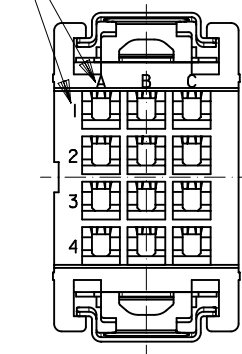
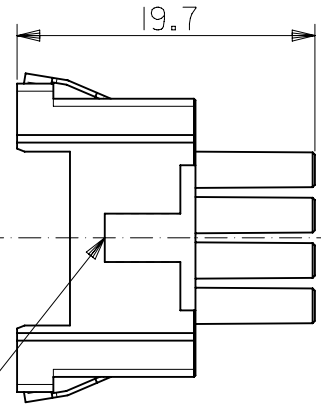


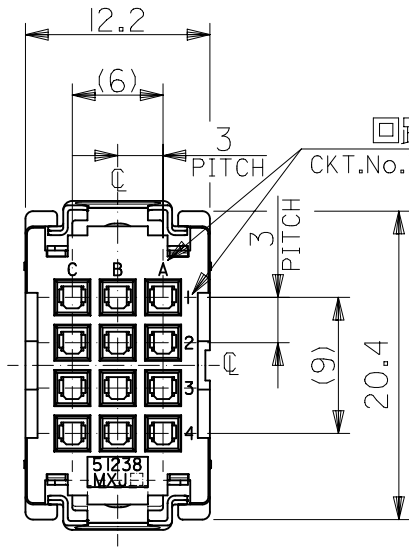
回路番号表示
CKT.No.IDENTIFICATION



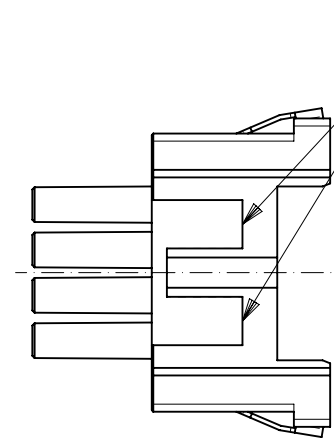
電線挿入側
WIRE SIDE



シエル挿入方向キー
POLARIZATIONS KEY FOR SHELL



嵌合側
MATING SIDE



シエル挿入方向キー
POLARIZATIONS KEY FOR SHELL

注記
NOTES

- 材質
MATERIAL
①ハウジング：ガラス入りPBT樹脂
HOUSING : PBT G.F.
UL94V-0 色：黒
UL94V-0 COLOR : BLACK
②スプリング：ステンレス鋼 t0.3
SPRING : STAINLESS STEEL t0.3
- 適用端子：56120-8*90 , 56121-8*90
APPLICABLE CRIMP PIN : 56120-8*90 , 56121-8*90
- 適用リセプタクル シェル：56377-12**
APPLICABLE RECEPTACLE SHELL : 56377-12**
- 嵌合相手：51234-120*
MEET WITH : 51234-120*

<誤嵌合防止キー（極性）タイプ> <POLARITY KEY TYPE>

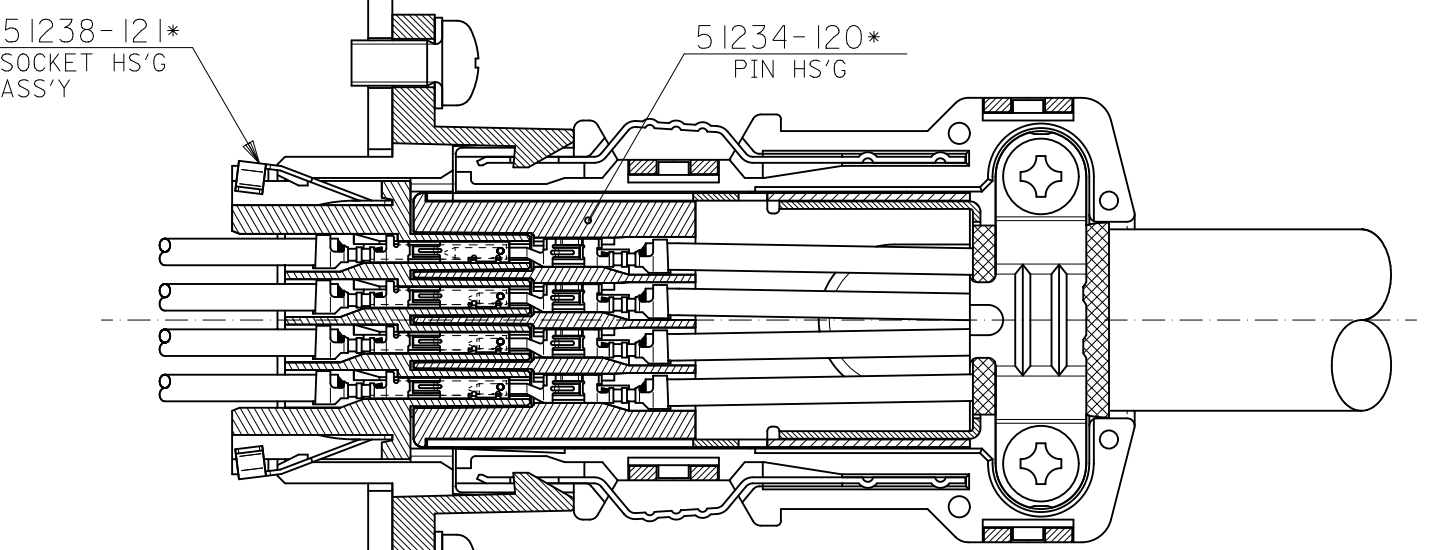
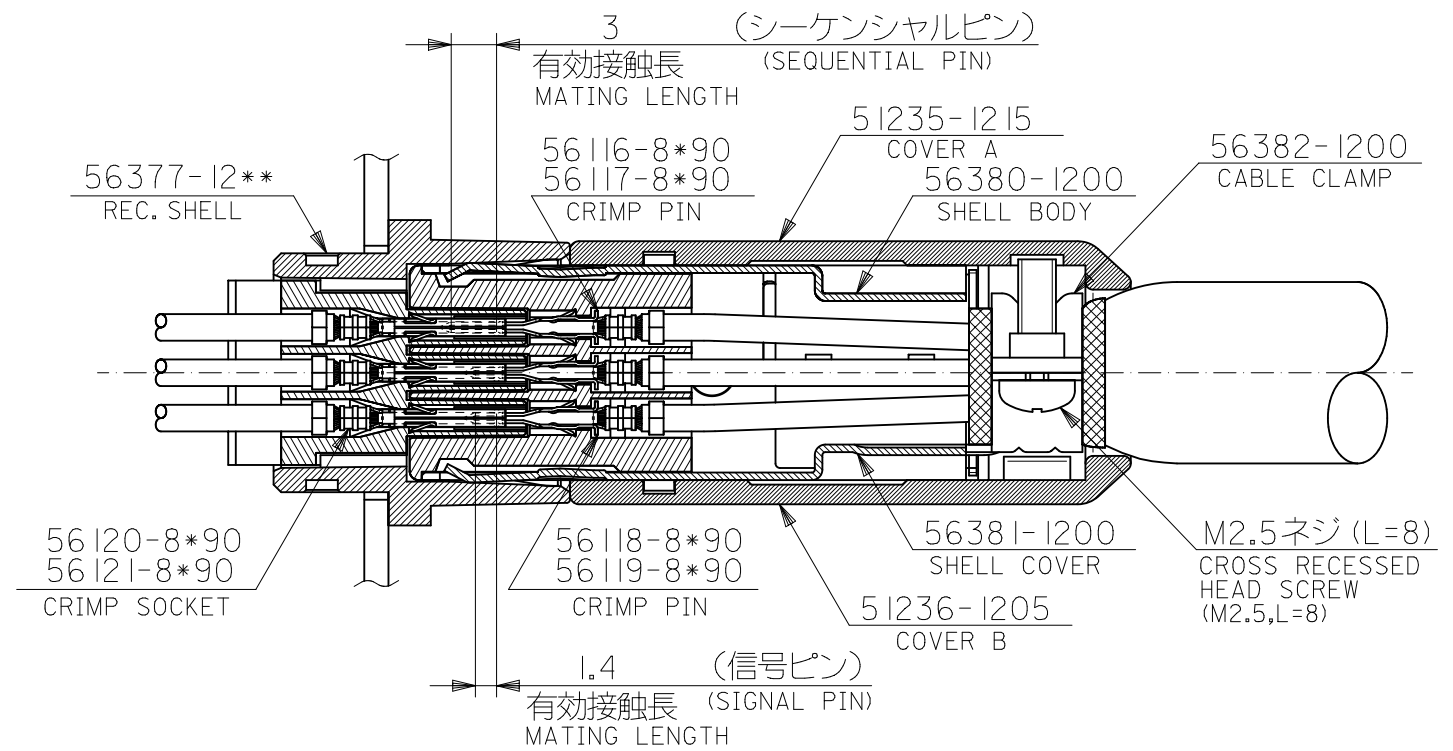
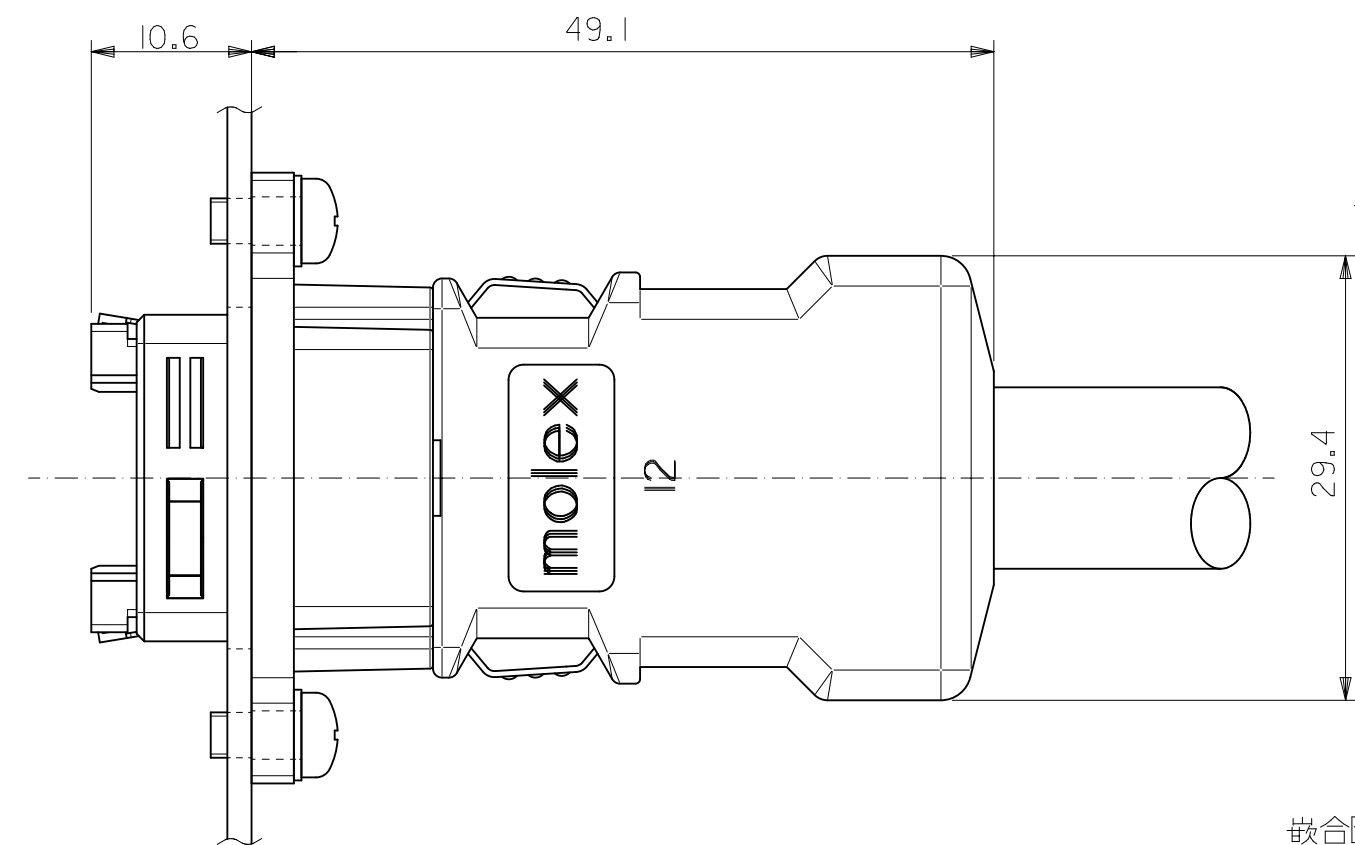
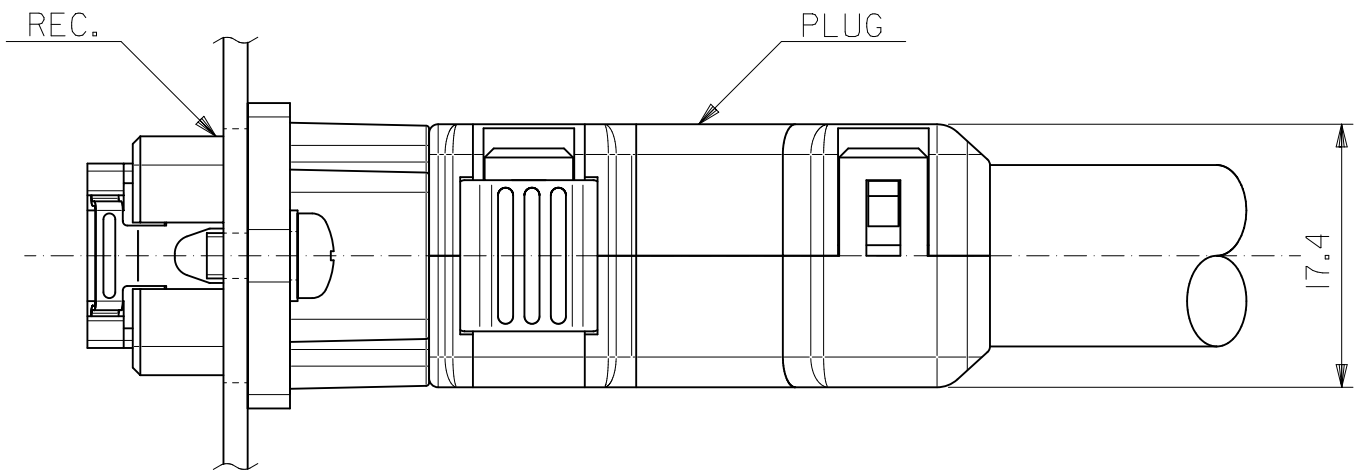
51238-1211	51238-1212	51238-1213
STANDARD TYPE	A TYPE	B TYPE

B-3	B	51238-1213	51238-***1*	12
B-2	A	51238-1212		
—	STANDARD	51238-1211		
POLARITY POSITION (CIRCUIT No.)	POLARITY TYPE	MATERIAL No.	MODEL No.	CIRCUIT

PENDING APPROVAL

MATERIAL 材料	注記参照 SEE NOTES	GENERAL TOLERANCES: (UNLESS SPECIFIED) 一般公差	THIS DRAWING CONTAINS INFORMATION THAT IS PROPRIETARY TO MOLEX ELECTRONIC TECHNOLOGIES, LLC AND SHOULD NOT BE USED WITHOUT WRITTEN PERMISSION	CURRENT REV DESC: OBSOLETE PART NUMBER.		molex		
FINISH 仕上げ	—	10 UNDER 未満 ±0.2	DIMENSION UNITS	SCALE	COMPACT ROBOT CONN. (CRC) REC. SOCKET HS'G ASS'Y			
WIRE RANGE 適用電線範囲	—	10 OVER 30 UNDER 未満 ±0.25	mm	2:1	PRODUCT CUSTOMER DRAWING			
INS. RANGE 被覆外径	—	30 OVER 以上 ±0.3	GENERAL TOLERANCES (UNLESS SPECIFIED)		DOCUMENT NUMBER			
		ANGLE 角度 ±3°	4 PLACES ±		SD-51238-007			
			3 PLACES ±		DOC TYPE DOC PART REVISION			
			2 PLACES ±		PSD 001 B			
			1 PLACE ±		MATERIAL NUMBER CUSTOMER			
			0 PLACES ±		SEE TABLE GENERAL MARKET			
			ANGULAR TOL ±		SHEET NUMBER			
			DRAFT WHERE APPLICABLE MUST REMAIN WITHIN DIMENSIONS	THIRD ANGLE PROJECTION	DRAWING	SERIES	1 OF 4	
					B-SIZE	51238		

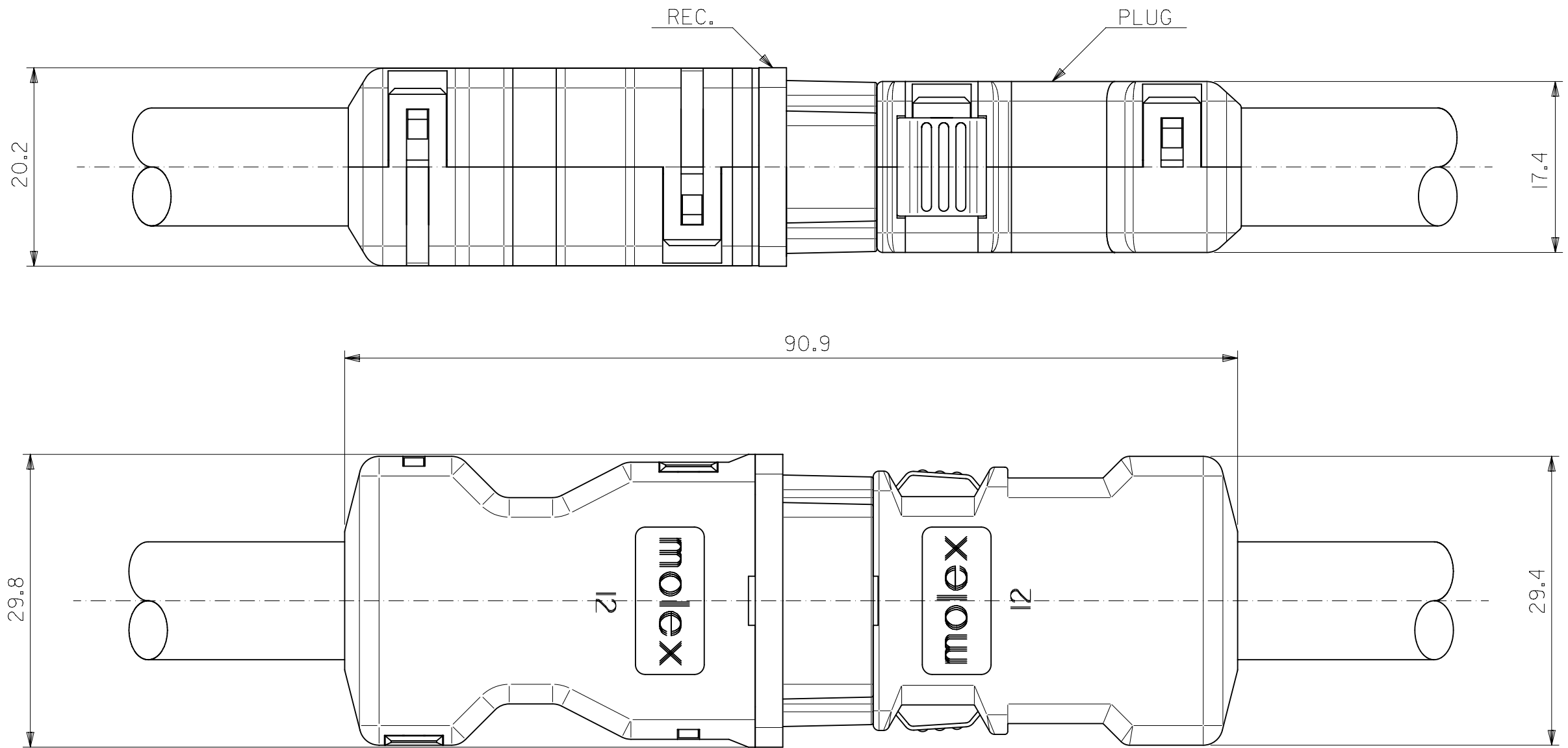
DOCUMENT STATUS	RQ	RELEASE DATE
-----------------	----	--------------



PENDING APPROVAL

嵌合図
CROSS-SECTION VIEW OF MATED CONNECTOR

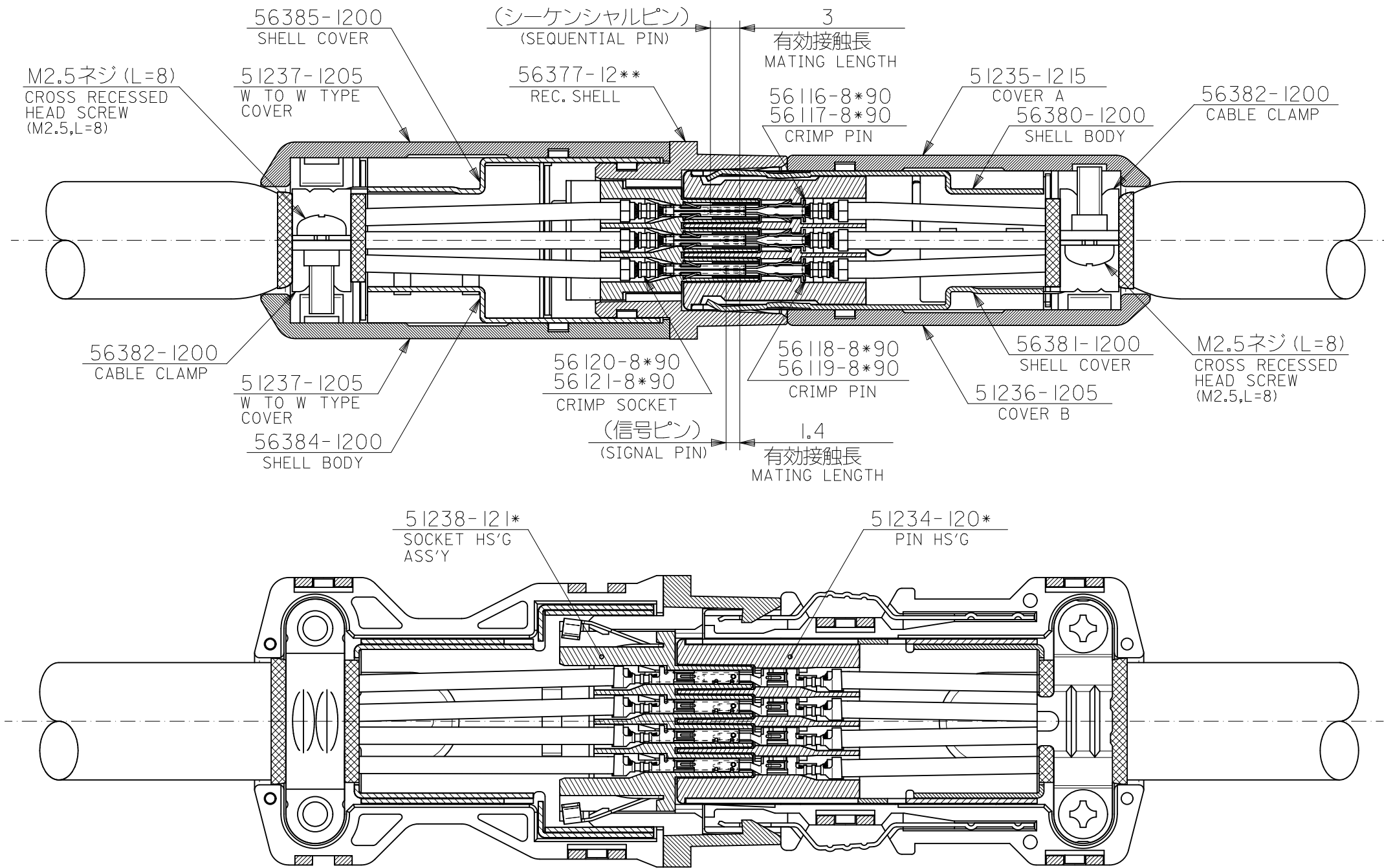
MATERIAL 材料	注記参照 SEE NOTES	GENERAL TOLERANCES: (UNLESS SPECIFIED) 一般公差	10 UNDER 未満 ±0.2	THIS DRAWING CONTAINS INFORMATION THAT IS PROPRIETARY TO MOLEX ELECTRONIC TECHNOLOGIES, LLC AND SHOULD NOT BE USED WITHOUT WRITTEN PERMISSION. CURRENT REV DESC: OBSOLETE PART NUMBER.		
	FINISH 仕上げ	—#—	10 OVER 以上 30 UNDER 未満 ±0.25			
	WIRE RANGE 適用電線範囲	—#—	30 OVER 以上 ±0.3			
	INS. RANGE 被覆外径	—#—	ANGLE 角度 ±3°			
DOCUMENT STATUS	RQ	RELEASE DATE		DIMENSION UNITS: mm SCALE: 2:1 GENERAL TOLERANCES (UNLESS SPECIFIED): 4 PLACES ±0.25 3 PLACES ±0.2 2 PLACES ±0.15 1 PLACE ±0.1 0 PLACES ±0.05 ANGULAR TOL ±0.5°	EC NO: 650269 DRWN: ABHISP1 CHK'D: APPR: INITIAL REVISION: DRWN: S.AKIYAMA APPR: H.IKESUGI	molex COMPACT ROBOT CONN. (CRC) REC. SOCKET HS'G ASS'Y PRODUCT CUSTOMER DRAWING DOCUMENT NUMBER: SD-51238-007 DOC TYPE: PSD DOC PART: 001 REVISION: B MATERIAL NUMBER: SEE TABLE CUSTOMER: GENERAL MARKET SHEET NUMBER: 2 OF 4



嵌合図 (中継タイプ)
 CROSS-SECTION VIEW OF MATED CONNECTOR
 (WIRE TO WIRE TYPE)

PENDING APPROVAL

MATERIAL 材料		注記参照 SEE NOTES		GENERAL TOLERANCES: (UNLESS SPECIFIED) 一般公差		THIS DRAWING CONTAINS INFORMATION THAT IS PROPRIETARY TO MOLEX ELECTRONIC TECHNOLOGIES, LLC AND SHOULD NOT BE USED WITHOUT WRITTEN PERMISSION		CURRENT REV DESC: OBSOLETE PART NUMBER.																						
FINISH 仕上げ		—#—		10 UNDER 未満	±0.2	<table border="1"> <tr> <th>DIMENSION UNITS</th> <th>SCALE</th> </tr> <tr> <td>mm</td> <td>2:1</td> </tr> <tr> <td colspan="2">GENERAL TOLERANCES (UNLESS SPECIFIED)</td> </tr> <tr> <td>4 PLACES</td> <td>±</td> </tr> <tr> <td>3 PLACES</td> <td>±</td> </tr> <tr> <td>2 PLACES</td> <td>±</td> </tr> <tr> <td>1 PLACE</td> <td>±</td> </tr> <tr> <td>0 PLACES</td> <td>±</td> </tr> <tr> <td>ANGULAR TOL</td> <td>± °</td> </tr> </table>		DIMENSION UNITS	SCALE				mm	2:1	GENERAL TOLERANCES (UNLESS SPECIFIED)		4 PLACES	±	3 PLACES	±	2 PLACES	±	1 PLACE	±	0 PLACES	±	ANGULAR TOL	± °	EC NO: 650269 DRWN: ABHISP1 CHK'D: APPR:	
DIMENSION UNITS	SCALE																													
mm	2:1																													
GENERAL TOLERANCES (UNLESS SPECIFIED)																														
4 PLACES	±																													
3 PLACES	±																													
2 PLACES	±																													
1 PLACE	±																													
0 PLACES	±																													
ANGULAR TOL	± °																													
WIRE RANGE 適用電線範囲		—#—		10 OVER 30 UNDER 以上 未満	±0.25	DRAFT WHERE APPLICABLE MUST REMAIN WITHIN DIMENSIONS		THIRD ANGLE PROJECTION		DRAWING		SERIES		DOCUMENT NUMBER		DOC TYPE		DOC PART		REVISION										
INS. RANGE 被覆外径		—#—		30 OVER 以上	±0.3	B-SIZE		51238		2001/01/25		SD-51238-007		PSD		001		B												
DOCUMENT STATUS		RQ		RELEASE DATE		MATERIAL NUMBER		CUSTOMER		SHEET NUMBER		SEE TABLE		GENERAL MARKET		3 OF 4														

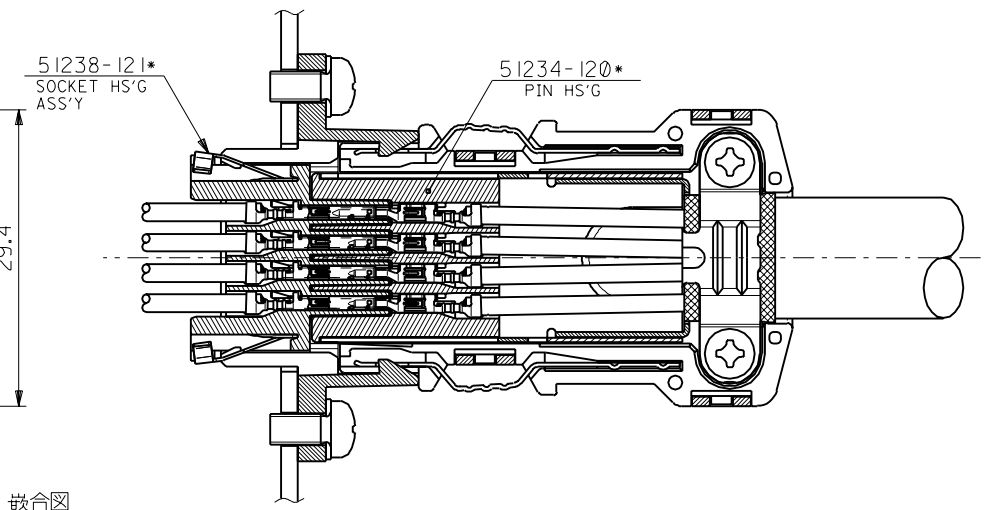
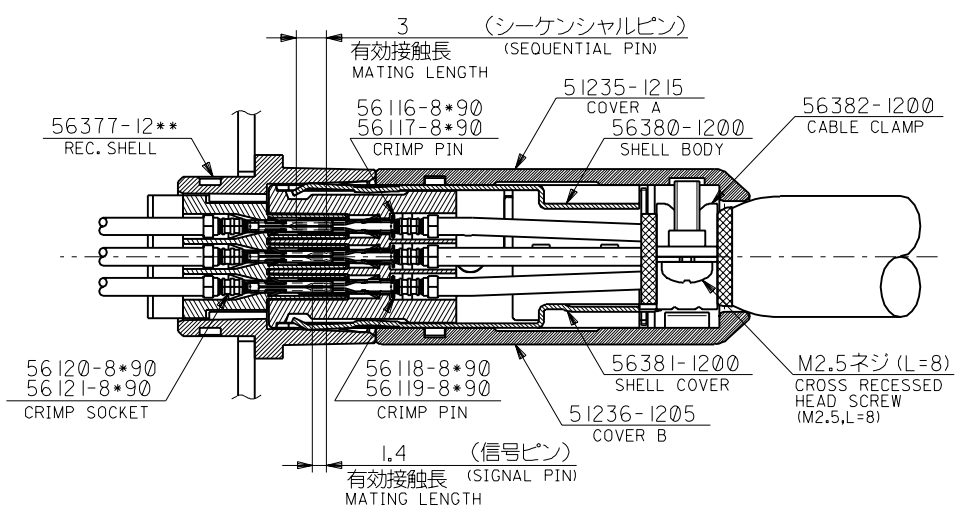
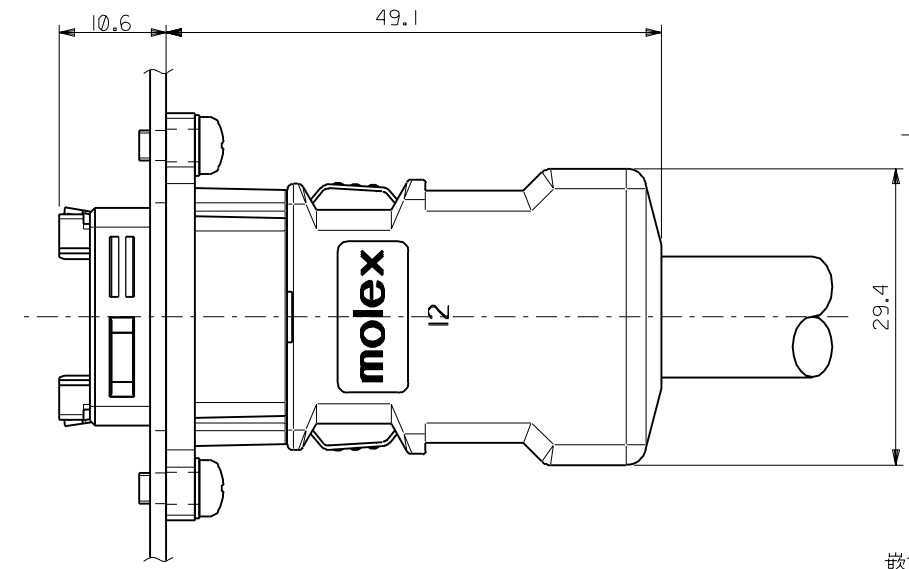
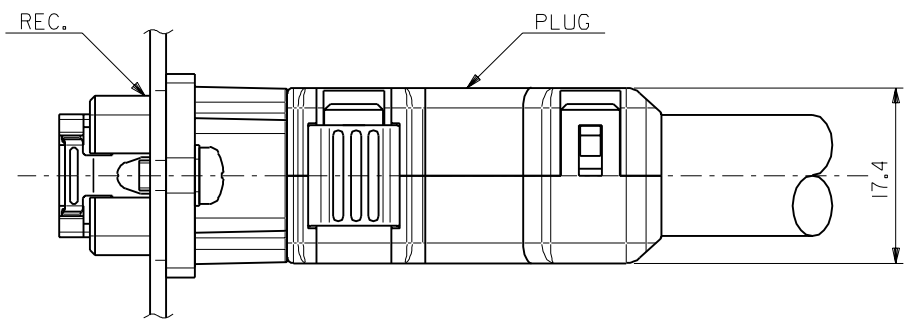


嵌合図 (中継タイプ)
CROSS-SECTION VIEW OF MATED CONNECTOR
(WIRE TO WIRE TYPE)

PENDING APPROVAL

MATERIAL 材料	注記参照 SEE NOTES	GENERAL TOLERANCES: (UNLESS SPECIFIED) 一般公差	THIS DRAWING CONTAINS INFORMATION THAT IS PROPRIETARY TO MOLEX ELECTRONIC TECHNOLOGIES, LLC AND SHOULD NOT BE USED WITHOUT WRITTEN PERMISSION	CURRENT REV DESC: OBSOLETE PART NUMBER.			molex			
	FINISH 仕上げ	—#—	10 UNDER 未満 ±0.2	DIMENSION UNITS mm	SCALE 2:1	EC NO: 650269				COMPACT ROBOT CONN. (CRC) REC. SOCKET HS'G ASS'Y
	WIRE RANGE 適用電線範囲	—#—	10 OVER 30 UNDER 未満 ±0.25	GENERAL TOLERANCES (UNLESS SPECIFIED)		DRWN: ABHISP1	PRODUCT CUSTOMER DRAWING			
	INS. RANGE 被覆外径	—#—	30 OVER 以上 ±0.3	4 PLACES ±	MM	INCH				2020/10/22
	ANGLE 角度	—#—	±3°	3 PLACES ±	ANGULAR TOL ± °		CHK'D:	DOC TYPE PSD	DOC PART 001	REVISION B
DOCUMENT STATUS	RQ	RELEASE DATE	DRAFT WHERE APPLICABLE MUST REMAIN WITHIN DIMENSIONS		THIRD ANGLE PROJECTION	DRAWING B-SIZE	SERIES 51238	MATERIAL NUMBER SEE TABLE	CUSTOMER GENERAL MARKET	SHEET NUMBER 4 OF 4

DWG. NO. SD-51238-007

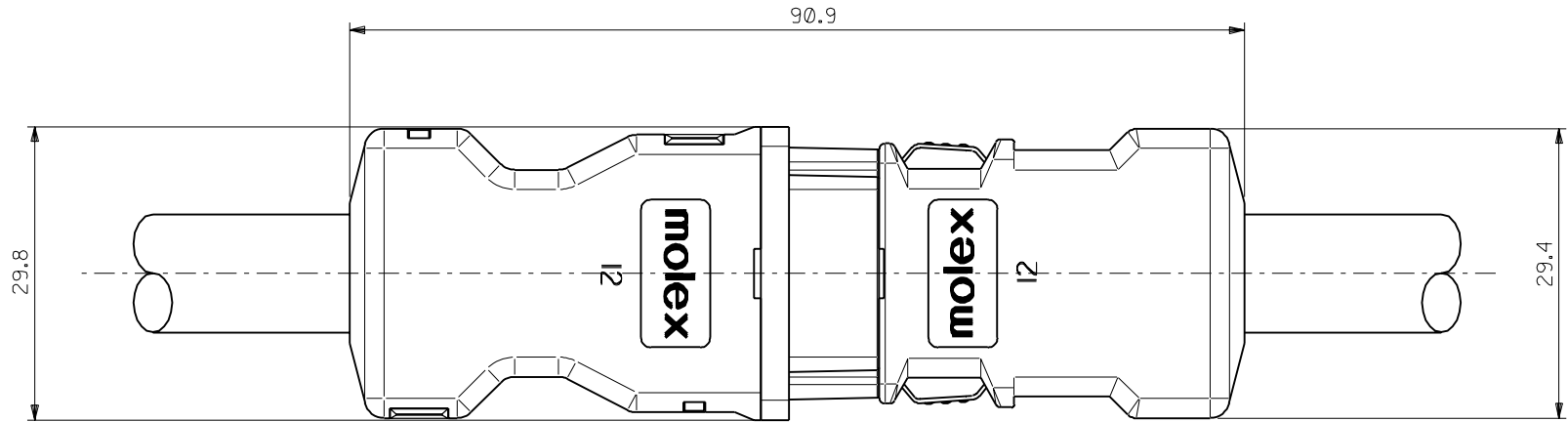
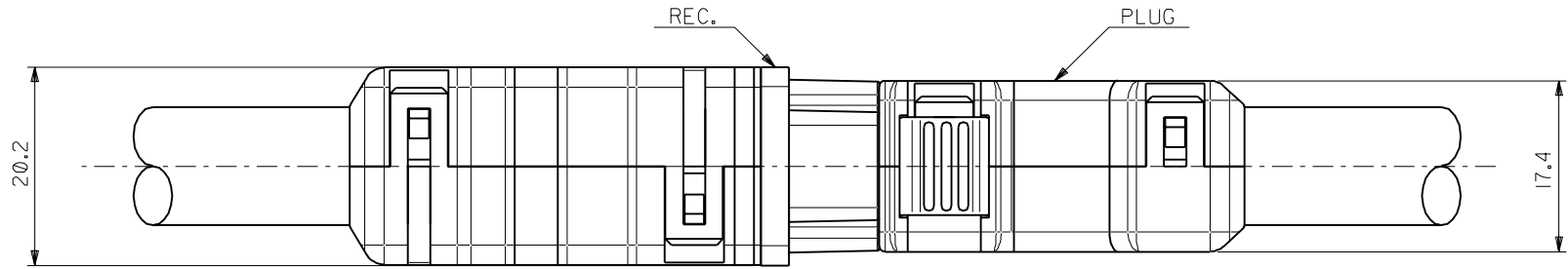


嵌合図
CROSS-SECTION VIEW OF MATED CONNECTOR

DO NOT SCALE DRAWING

EC NO. DRWN: CHK: APPR:	EC NO. DRWN: CHK: APPR:	EC NO. DRWN: CHK: APPR:	REVISED 01/10/04	MATERIAL 材料	GENERAL TOLERANCES: (UNLESS SPECIFIED) 一般公差	SCALE 2-1	DESIGN UNITS mm □ INCH	THIRD ANGLE PROJECTION	DIMENSIONS: mm □ INCH mm □ INCH	SHT REVISE ON CAD ONLY	REV
			EC NO. J2002-0786 DRWN: S.AKIYAMA CHK: J.MIYAZAWA APPR: YO.IITO								
A	Ø	Ø	RELEASED 01/02/16	FINISH 仕上げ	10 OVER 以上	30 UNDER 未満	±0.25	CHECKED BY & DATE <i>J. Mizuno</i> / 2/06	MATERIAL NO. SEE CHART	DRAWING NO. SD-51238-007	SHEET NO. 2 OF 4
			EC NO. JD2001-1040 DRWN: S.AKIYAMA CHK: J.MIYAZAWA APPR: H.IKESUGI								
REV	INS. RANGE 被覆外径	ANGLE 角度	±3°	CAD FILE NAME 51238007.S01	THIS DRAWING CONTAINS INFORMATION THAT IS PROPRIETARY TO MOLEX INCORPORATED AND SHOULD NOT BE USED WITHOUT WRITTEN PERMISSION.			SIZE B			

51238007.S02



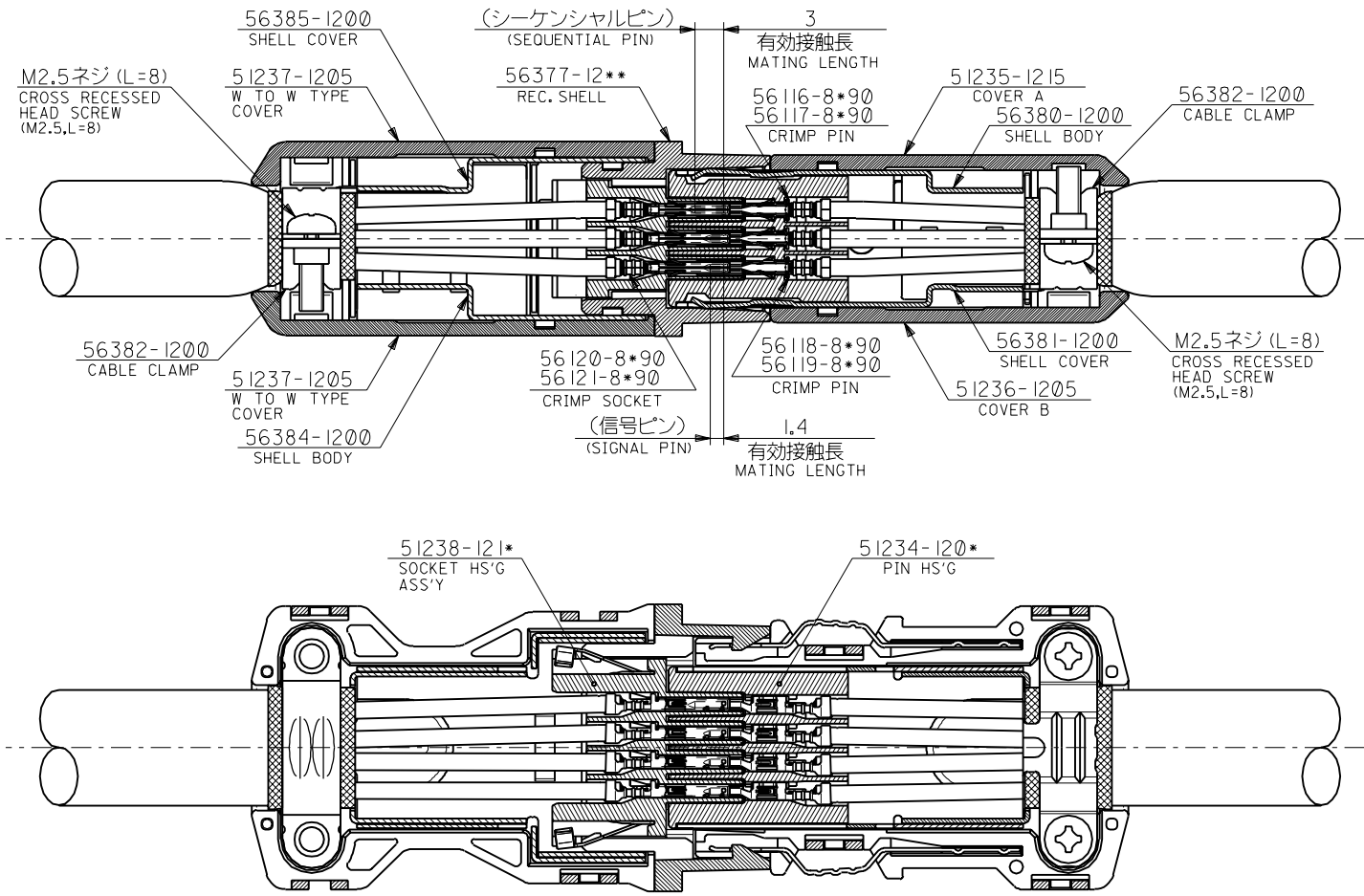
嵌合図 (中継タイプ)
CROSS-SECTION VIEW OF MATED CONNECTOR
(WIRE TO WIRE TYPE)

DO NOT SCALE DRAWING

EC NO. DRWN: CHK: APPR:	EC NO. DRWN: CHK: APPR:	EC NO. DRWN: CHK: APPR:	REVISED 01/10/04	MATERIAL 材料	GENERAL TOLERANCES: (UNLESS SPECIFIED) 一般公差	SCALE	DESIGN UNITS	THIRD ANGLE PROJECTION	DIMENSIONS:		SHT	REV
			EC NO. J2002-0786 DRWN: S.AKIYAMA CHK: J.MIYAZAWA APPR: YO.ITO			注記参照 SEE NOTES	2-1		mm <input checked="" type="checkbox"/> INCH <input type="checkbox"/>	<input type="checkbox"/> mm <input type="checkbox"/> INCH	<input type="checkbox"/> mm ONLY	REVISION ON CAD ONLY
A	0	A	RELEASED 01/02/16	FINISH 仕上げ	WIRE RANGE 適用電線範囲	10 UNDER 未満	CHECKED BY & DATE S. Akizawa 01/25	TITLE:	COMPACT ROBOT CONN. (CRC) REC. SOCKET HS'G ASS'Y			
			DRWN: S.AKIYAMA CHK: J.MIYAZAWA APPR: H.IKESUGI			#						
			INS. RANGE 被覆外径	#	30 OVER 以上	±0.3	MOLEX INCORPORATED	EN-02J(097) MXJ-54				
			REV		ANGLE 角度	±3°						THIS DRAWING CONTAINS INFORMATION THAT IS PROPRIETARY TO MOLEX INCORPORATED AND SHOULD NOT BE USED WITHOUT WRITTEN PERMISSION.

51238007.S03

DWG. NO. SD-51238-007



嵌合図 (中継タイプ)
CROSS-SECTION VIEW OF MATED CONNECTOR
(WIRE TO WIRE TYPE)

DO NOT SCALE DRAWING

EC NO. DRWN: CHK: APPR:	EC NO. DRWN: CHK: APPR:	EC NO. DRWN: CHK: APPR:	REVISED 01/10/04	MATERIAL 材料	GENERAL TOLERANCES: (UNLESS SPECIFIED) 一般公差	SCALE	DESIGN UNITS	THIRD ANGLE PROJECTION	DIMENSIONS: <input type="checkbox"/> mm <input type="checkbox"/> INCH	SHT	REV
			EC NO. J2002-0786 DRWN: S.AKIYAMA CHK: J.MIYAZAWA APPR: YO.IITO			10 UNDER 未満	2-1				
A	0	0	RELEASED 01/02/16	DESCRIPTION	FINISH 仕上げ	10 OVER 以上	30 UNDER 未満	TITLE:	COMPACT ROBOT CONN. (CRC) REC. SOCKET HS'G ASS'Y	MATERIAL NO.	DRAWING NO.
			EC NO. JD2001-1040 DRWN: S.AKIYAMA CHK: J.MIYAZAWA APPR: H.IKESUGI			30 OVER 以上	±0.25				
				WIRE RANGE 適用電線範囲	—	ANGLE 角度	±3°	MOLEX INCORPORATED		SHEET NO.	SIZE
				INS. RANGE 被覆外径	—	CAD FILE NAME 51238007.S04		MATERIAL NO. SEE CHART		4 OF 4	B
THIS DRAWING CONTAINS INFORMATION THAT IS PROPRIETARY TO MOLEX INCORPORATED AND SHOULD NOT BE USED WITHOUT WRITTEN PERMISSION.											EN-02J(097) MXJ-54

51238007.S04