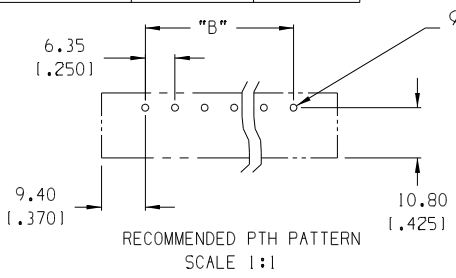
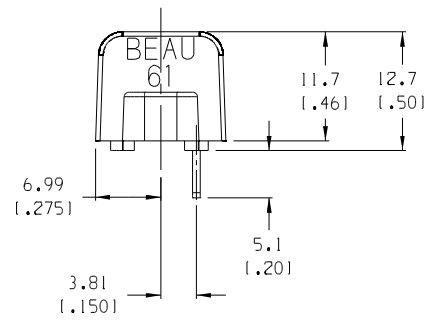
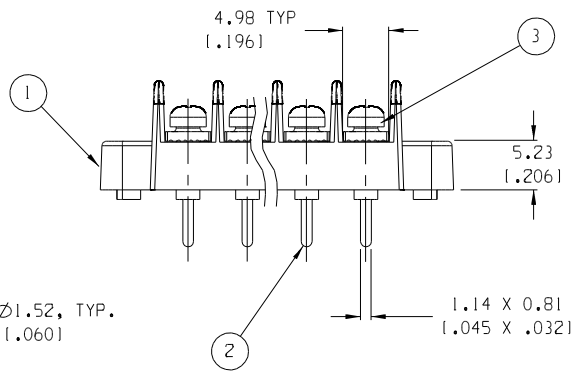
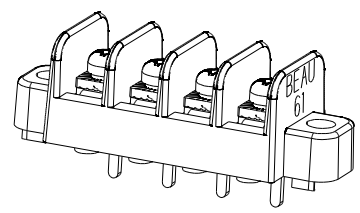
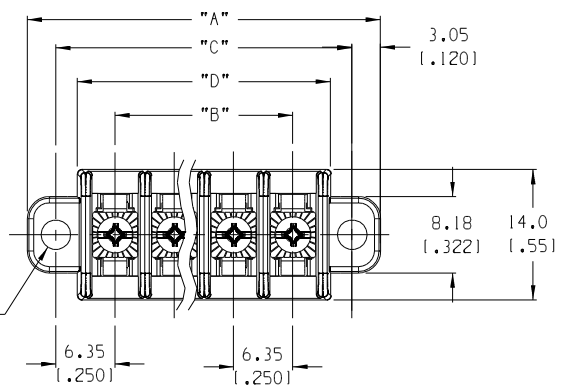


|                    | 10       | 9        |        | 8        |        | 7        |       | 6                     | 5          | 4 | 3 | 2 | 1 |  |
|--------------------|----------|----------|--------|----------|--------|----------|-------|-----------------------|------------|---|---|---|---|--|
| QTY. OF CIRC. "XX" | DIM. "A" | DIM. "B" |        | DIM. "C" |        | DIM. "D" |       | MATERIAL # (-50 OPT.) |            |   |   |   |   |  |
| F 02               | 25.1     | 1.991    | 6.35   | 1.2501   | 19.05  | 1.7501   | 14.4  | 1.571                 | 38610-7602 |   |   |   |   |  |
| 03                 | 31.5     | 11.241   | 12.70  | 1.5001   | 25.40  | 11.0001  | 20.8  | 1.821                 | 38610-7603 |   |   |   |   |  |
| 04                 | 37.8     | 11.491   | 19.05  | 1.7501   | 31.75  | 11.2501  | 27.1  | 11.071                | 38610-7604 |   |   |   |   |  |
| 05                 | 44.2     | 11.741   | 25.40  | 11.0001  | 38.10  | 11.5001  | 33.5  | 11.321                | 38610-7605 |   |   |   |   |  |
| 06                 | 50.5     | 11.991   | 31.75  | 11.2501  | 44.45  | 11.7501  | 39.8  | 11.571                | 38610-7606 |   |   |   |   |  |
| 07                 | 56.9     | 12.241   | 38.10  | 11.5001  | 50.80  | 12.0001  | 46.2  | 11.821                | 38610-7607 |   |   |   |   |  |
| 08                 | 63.2     | 12.491   | 44.45  | 11.7501  | 57.15  | 12.2501  | 52.5  | 12.071                | 38610-7608 |   |   |   |   |  |
| 09                 | 69.6     | 12.741   | 50.80  | 12.0001  | 63.50  | 12.5001  | 58.9  | 12.321                | 38610-7609 |   |   |   |   |  |
| 10                 | 75.9     | 12.991   | 57.15  | 12.2501  | 69.85  | 12.7501  | 65.2  | 12.571                | 38610-7610 |   |   |   |   |  |
| E 11               | 82.3     | 13.241   | 63.50  | 12.5001  | 76.20  | 13.0001  | 71.6  | 12.821                | 38610-7611 |   |   |   |   |  |
| 12                 | 88.6     | 13.491   | 69.85  | 12.7501  | 82.55  | 13.2501  | 77.9  | 13.071                | 38610-7612 |   |   |   |   |  |
| 13                 | 95.0     | 13.741   | 76.20  | 13.0001  | 88.90  | 13.5001  | 84.3  | 13.321                | 38610-7613 |   |   |   |   |  |
| 14                 | 101.3    | 13.991   | 82.55  | 13.2501  | 95.25  | 13.7501  | 90.6  | 13.571                | 38610-7614 |   |   |   |   |  |
| 15                 | 107.7    | 14.241   | 88.90  | 13.5001  | 101.60 | 14.0001  | 97.0  | 13.821                | 38610-7615 |   |   |   |   |  |
| 16                 | 114.0    | 14.491   | 95.25  | 13.7501  | 107.95 | 14.2501  | 103.3 | 14.071                | 38610-7616 |   |   |   |   |  |
| 17                 | 120.4    | 14.741   | 101.60 | 14.0001  | 114.30 | 14.5001  | 109.7 | 14.321                | 38610-7617 |   |   |   |   |  |
| 18                 | 126.7    | 14.991   | 107.95 | 14.2501  | 120.65 | 14.7501  | 116.0 | 14.571                | 38610-7618 |   |   |   |   |  |
| 19                 | 133.1    | 15.241   | 114.30 | 14.5001  | 127.00 | 15.0001  | 122.4 | 14.821                | 38610-7619 |   |   |   |   |  |
| D 20               | 139.4    | 15.491   | 120.65 | 14.7501  | 133.35 | 15.2501  | 128.7 | 15.071                | 38610-7620 |   |   |   |   |  |
| 21                 | 145.8    | 15.741   | 127.00 | 15.0001  | 139.70 | 15.5001  | 135.1 | 15.321                | 38610-7621 |   |   |   |   |  |
| 22                 | 152.1    | 15.991   | 133.35 | 15.2501  | 146.05 | 15.7501  | 141.4 | 15.571                | 38610-7622 |   |   |   |   |  |
| 23                 | 158.5    | 16.241   | 139.70 | 15.5001  | 152.40 | 16.0001  | 147.8 | 15.821                | 38610-7623 |   |   |   |   |  |
| 24                 | 164.8    | 16.491   | 146.05 | 15.7501  | 158.75 | 16.2501  | 154.1 | 16.071                | 38610-7624 |   |   |   |   |  |
| 25                 | 171.2    | 16.741   | 152.40 | 16.0001  | 165.10 | 16.5001  | 160.5 | 16.321                | 38610-7625 |   |   |   |   |  |
| 26                 | 177.5    | 16.991   | 158.75 | 16.2501  | 171.45 | 16.7501  | 166.8 | 16.571                | 38610-7626 |   |   |   |   |  |
| 27                 | 183.9    | 17.241   | 165.10 | 16.5001  | 177.80 | 17.0001  | 173.2 | 16.821                | 38610-7627 |   |   |   |   |  |
| 28                 | 190.2    | 17.491   | 171.45 | 16.7501  | 184.15 | 17.2501  | 179.5 | 17.071                | 38610-7628 |   |   |   |   |  |
| C 29               | 196.6    | 17.741   | 177.80 | 17.0001  | 190.50 | 17.5001  | 185.9 | 17.321                | 38610-7629 |   |   |   |   |  |
| 30                 | 202.9    | 17.991   | 184.15 | 17.2501  | 196.85 | 17.7501  | 192.2 | 17.571                | 38610-7630 |   |   |   |   |  |
| 31                 | 209.3    | 18.241   | 190.50 | 17.5001  | 203.20 | 18.0001  | 198.6 | 17.821                | 38610-7631 |   |   |   |   |  |
| 32                 | 215.6    | 18.491   | 196.85 | 17.7501  | 209.55 | 18.2501  | 204.9 | 18.071                | 38610-7632 |   |   |   |   |  |



- NOTES:
1. MATERIAL: SEE TABLE
  2. FINISHES: SEE TABLE
  3. PRODUCT SPECIFICATION: NOT REQUIRED
  4. PACKAGING: NOT REQUIRED
  5. MATES WITH: NONE
  6. "XX" REFERS TO NUMBER OF CIRCUITS

| ITEM | QTY. | DESCRIPTION                     | MATERIAL      | FINISH             |
|------|------|---------------------------------|---------------|--------------------|
| 3    | XX   | SCREW & WASHER, #3-48 (-50 OPT) | STEEL         | ZN, CLEAR CHROMATE |
| 2    | XX   | TERMINAL, PC, STYLE 5           | BRASS         | TIN PLATE          |
| 1    | 1    | BARRIER TERMINAL STRIP          | THERMOPLASTIC | BLACK              |

|  |  |  |  |  |                           |  |                     |
|--|--|--|--|--|---------------------------|--|---------------------|
| EC NO. RELEASED<br>DRW: CLY<br>CH/K:<br>APPR:<br>A | DESCRIPTION<br>MAJOR<br>CRITICAL<br>SPC<br>S | GENERAL TOLERANCES:<br>(UNLESS SPECIFIED)  | SCALE<br>2:1   | DESIGN UNITS<br><input type="checkbox"/> mm <input checked="" type="checkbox"/> INCH | THIRD ANGLE<br>PROJECTION | PROJECT NO. -<br>- -<br>DIMENSIONS:<br><input checked="" type="checkbox"/> mm <input type="checkbox"/> INCH <input type="checkbox"/> mm ONLY<br><input type="checkbox"/> INCH <input type="checkbox"/> mm ONLY | SHEET<br>REV        |
|  |  | 4 PLACES ±.0015<br>3 PLACES ±.005<br>2 PLACES ±.01<br>1 PLACE ±.3<br>ANGULAR: ±2°<br>DRAFT WHERE APPLICABLE MUST<br>REMAIN WITHIN DIMENSIONS | DRAWN BY & DATE<br>C. YORK 11-22-04<br>CHECKED BY & DATE<br>APPROVED BY & DATE | TITLE:<br>6.35mm (.250") SR BTS ASSY,<br>CLAMP WASHER SCREW                          | MATERIAL NO.<br>SEE CHART | DRAWING NO.<br>SD-38610-004  | SHEET NO.<br>1 OF 1 |

THIS DRAWING CONTAINS INFORMATION THAT IS PROPRIETARY TO MOLEX INCORPORATED AND SHOULD NOT BE USED WITHOUT WRITTEN PERMISSION.