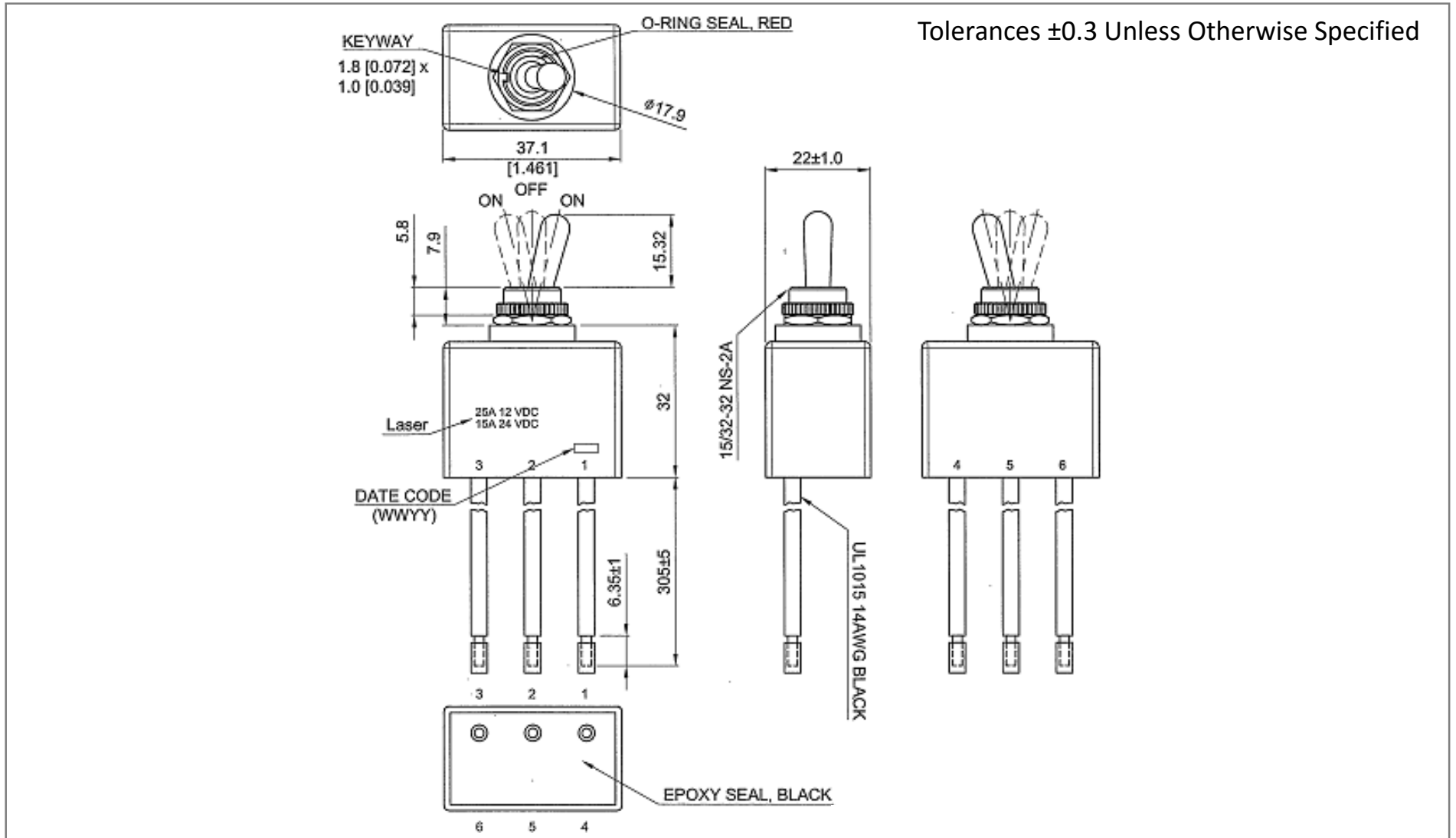
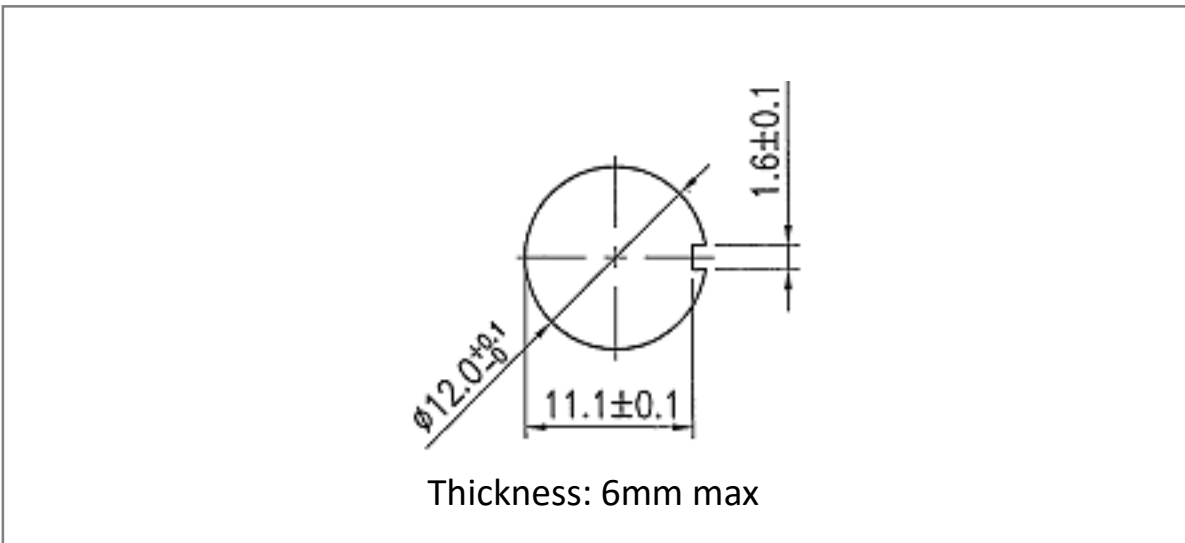


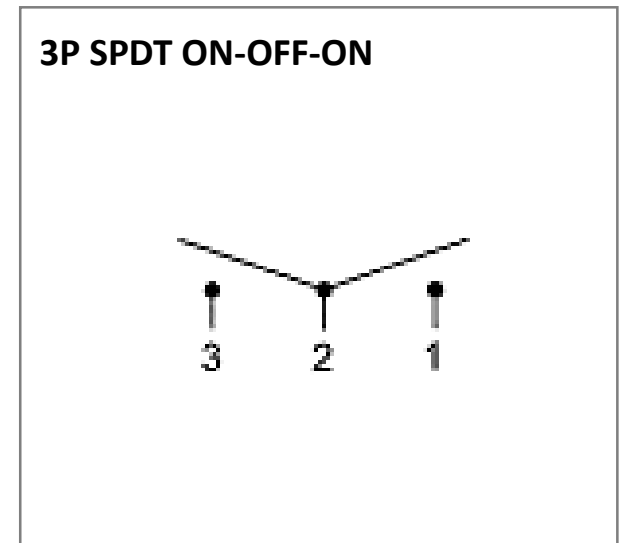
Mechanical Dimensions (mm)



Mounting Hole



Circuit Diagram



Electrical Specifications

Rating	25A 12V DC, 15A 24V DC
Contact Resistance	50m ohm Max.
Insulation Resistance	DC 500V 100M ohm Min.
Dielectric Strength	AC 1500V 1 minute
Operation Temperature	-40°~85°

Material Specifications

Frame	Black, PBT+15%GF
Contacts	Cooper Alloy+AgSnO2InO3
Toggle/ Brushing	Brass, nickel plated
Hex nut/Knurl nut	Brass, nickel plated
Waterproof	IP67