



Surface Mount IP67 Sealed Tactile

Specifications

| | | | |
|--------------------|--|-----------------------|---|
| Electrical Ratings | 50mA @ 48VDC | Dielectric Strength | 250Vrms min |
| Electrical Life | 500,000 cycles typical | Insulation Resistance | ≥100MΩ min |
| Contact Resistance | ≤50mΩ initial | Operating Temperature | -40°C to 85°C |
| Actuation Force | 160 ± 50gF 200 ± 50gF 260 ± 50gF | Storage Temperature | -40°C to 85°C |
| Actuator Travel | .28mm +.20mm / -.10mm | Sealing Degree | IP67 |
| | | Quantity per reel | 4.3mm = 1K pieces per reel 5.0mm = 1K pieces per reel 7.3mm = 700 pieces per reel |

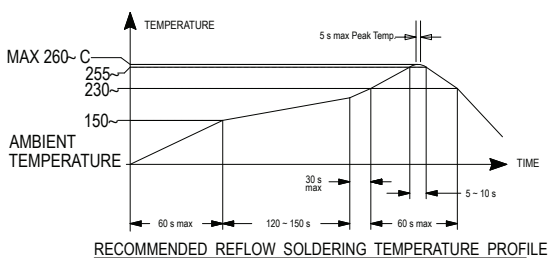
Materials

| | |
|----------------|--------------------------------|
| Actuator | PA6T Nylon |
| Actuator Cover | Brass, Tin Plated |
| Switch Housing | PPS |
| Seal | Silicon, Rubber |
| Contacts | Stainless Steel, Silver Plated |
| Terminals | Copper Alloy, Silver Plated |

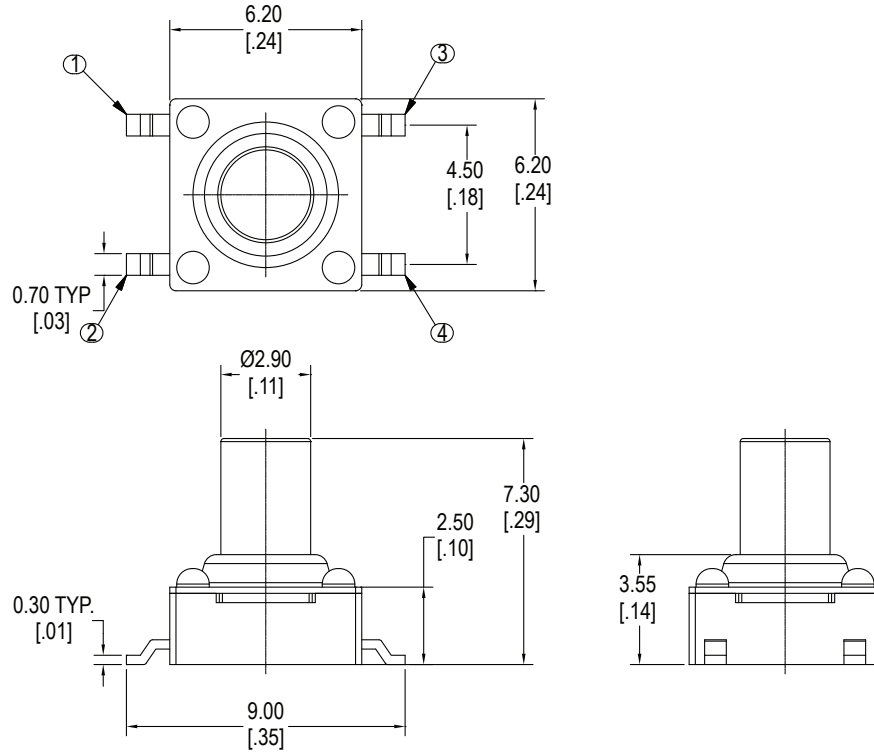
Ordering Information

| | | | | | | |
|----------------------------|-----|-----|---|------|---|---|
| 1. Series | STR | 5.0 | L | F200 | Q | G |
| STR | | | | | | |
| 2. Actuator Height | | | | | | |
| 4.3 = 4.3mm | | | | | | |
| 5.0 = 5.0mm | | | | | | |
| 7.3 = 7.3mm | | | | | | |
| 3. Contact Options | | | | | | |
| L = Stainless Steel Dome | | | | | | |
| 4. Actuation Force | | | | | | |
| F160 = 160gF | | | | | | |
| F200 = 200gF | | | | | | |
| F260 = 260gF | | | | | | |
| 5. Contact Material | | | | | | |
| Q = Silver plated contacts | | | | | | |
| 6. Terminal Options | | | | | | |
| G = Gull Wing | | | | | | |

Recommended Reflow Soldering Diagram



Dimensions



Schematic & PC Layout

