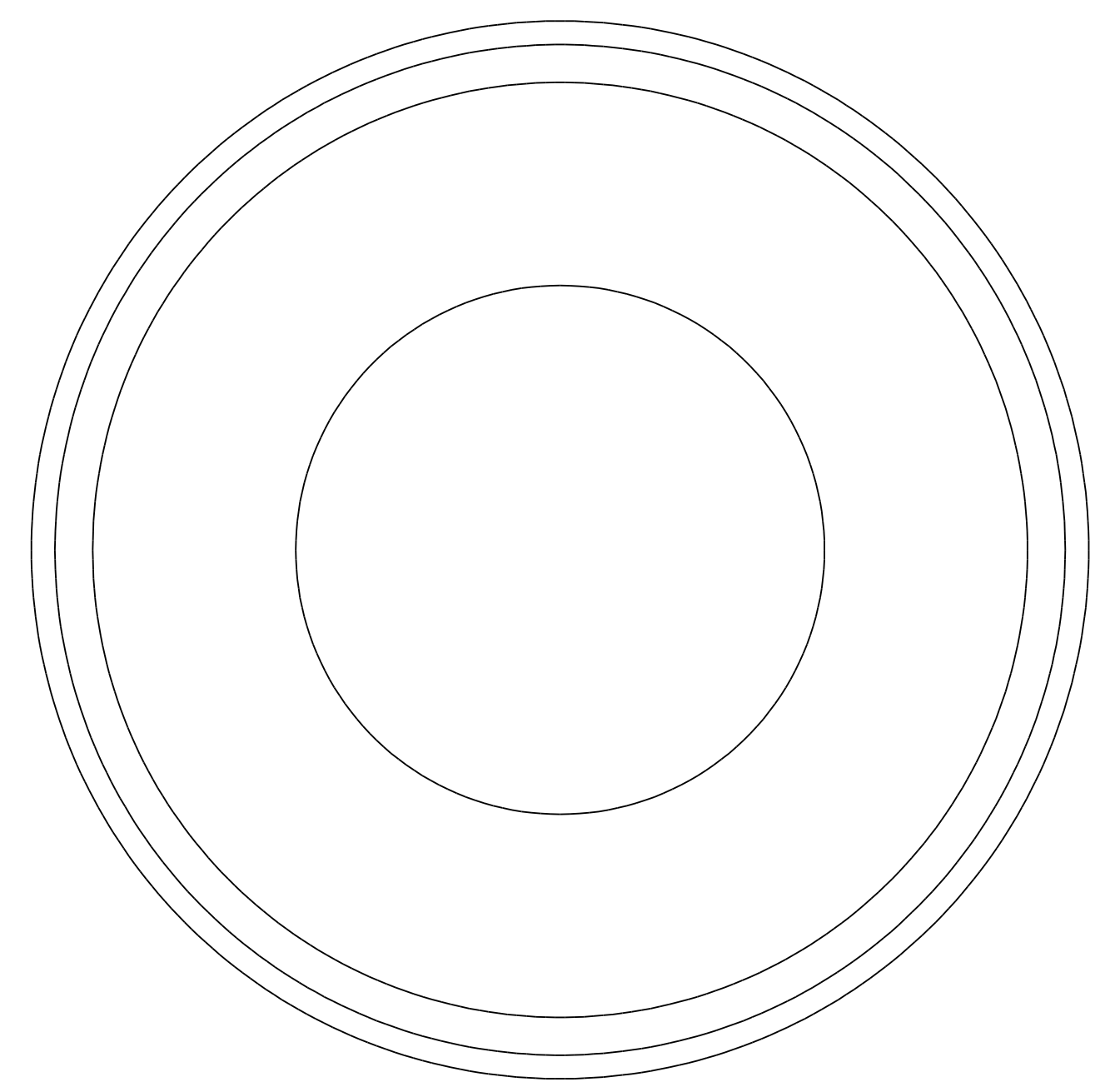
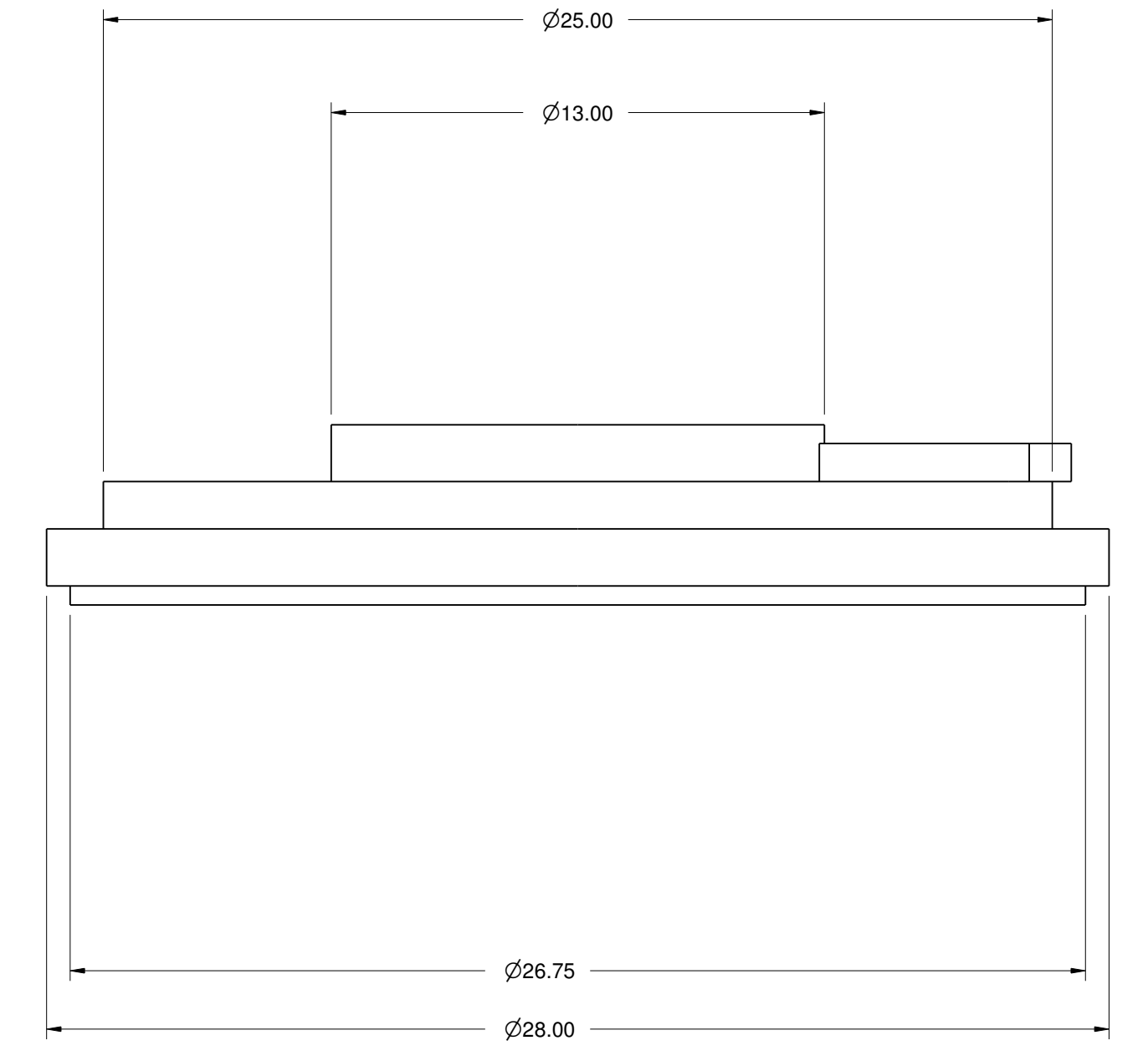
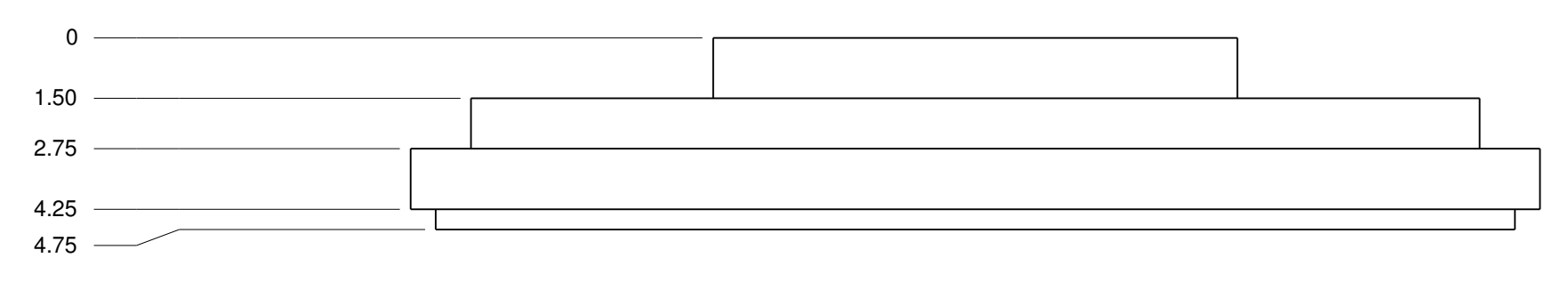
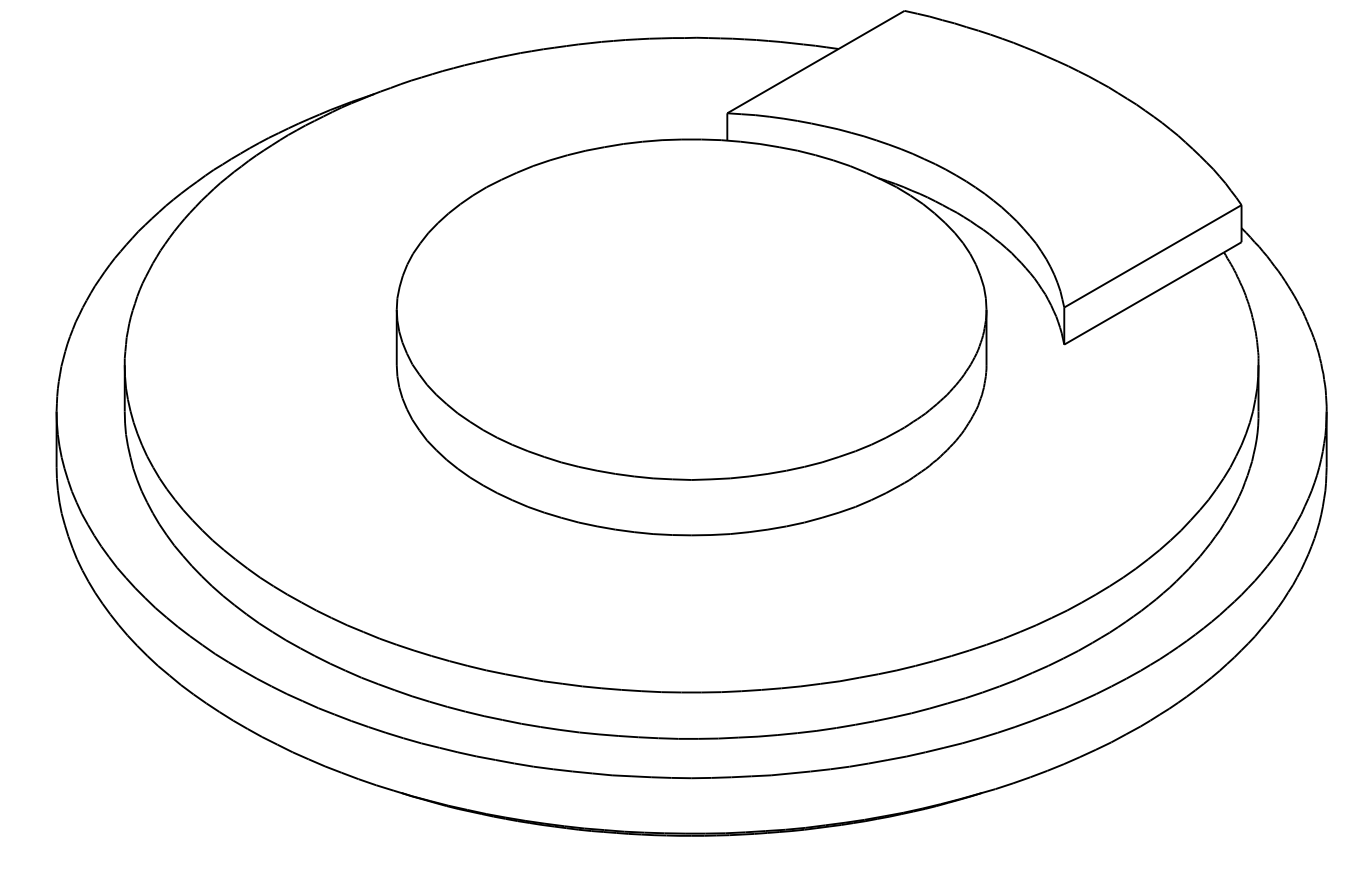
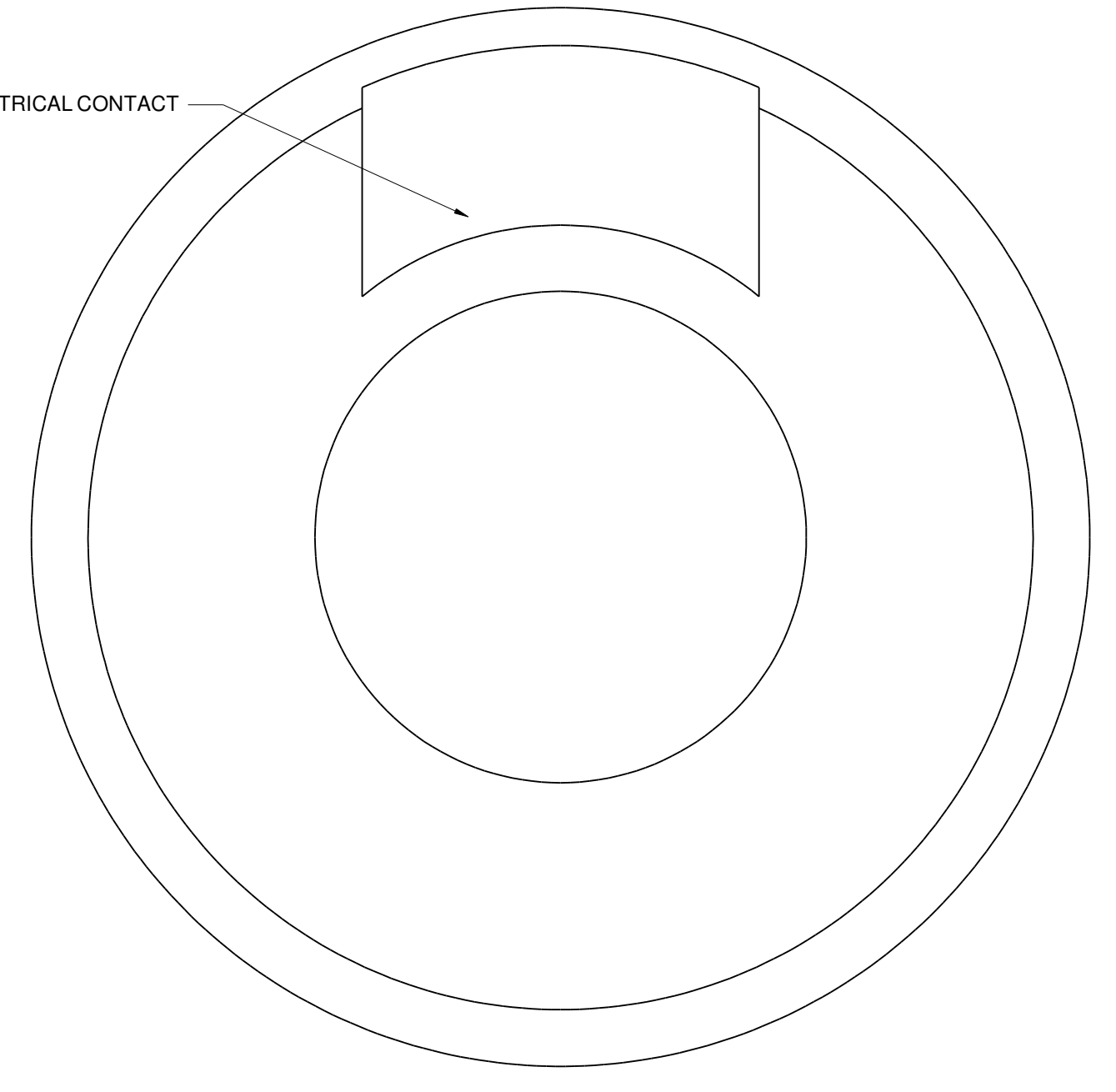


REVISIONS				
ZONE	REV	DESCRIPTION	DATE	APPROVED

ELECTRICAL CONTACT



ALL TOLERANCES +/- .5MM UNLESS NOTED



SIZE	FSCM NO.	DWG NO.	REV
D		SP-2804Y	
SCALE	SHEET		1 OF 1
1:1			