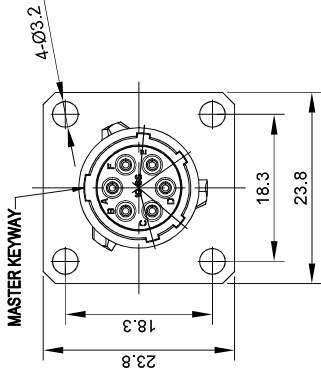
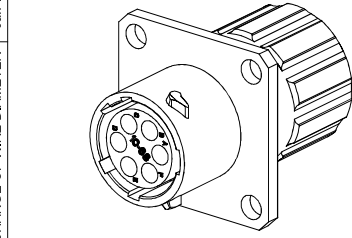
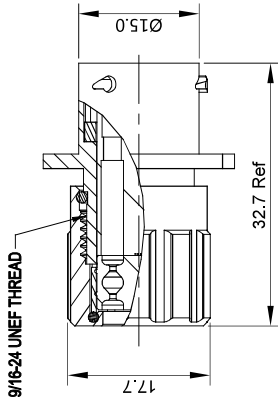


REVISIONS

REV	ECO	DESCRIPTION	DATE	BY	APPR
B1	-	RELEASED DRAWING	July-04-2014	Ben	Tommy
B2	-	MODIFY THE INSERT LETTER LOCATION	May-20-2016	Ben	Tommy
B3	-	ADAPT TO CHANGE OF WIRE DIAMETER	Jan-7-2020	Ronald	Tommy



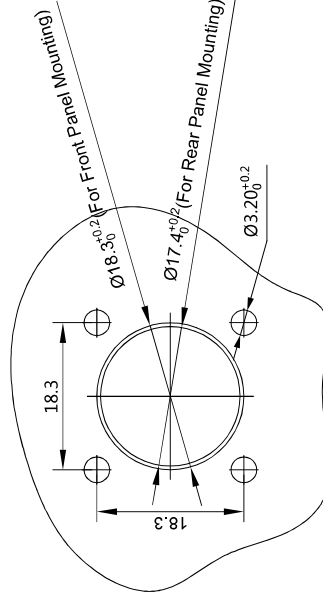
KEY POS	PART NUMBER	TEMPERATURE
N	RT0W0106SNHEC	-40°C ~ 105°C
W	RT0W0106SWHEC	-40°C ~ 125°C
X	RT0W0106SXHEC	-40°C ~ 125°C
Y	RT0W0106SYHEC	-40°C ~ 125°C
Z	RT0W0106SZHEC	-40°C ~ 125°C



NOTES : (UNLESS OTHERWISE SPECIFIED)

- MATERIAL :
SHELL : ZINC ALLOY , NICKEL PLATED.
INSERT : THERMOPLASTIC , UL94 V-0.
END CAP : THERMOPLASTIC , UL94 V-0.
SEAL GASKET : NBR/SILICONE RUBBER.
O-RING : NBR/SILICONE RUBBER.
WIRE SEAL : SILICONE RUBBER.
PLASTIC BUSHING : THERMOPLASTIC , UL94 V-0.
- SPECIFICATIONS :
2.1 RATED CURRENT :
2.1.1 STAMPED CONTACT 5A (MAX).
2.1.2 MACHINED CONTACT 7.5A(MAX).
2.2 RATED VOLTAGE : 250V (AC/DC) .
2.3 OPERATING TEMPERATURE : SEE CHART.
2.4 DIELECTRIC WITHSTANDING VOLTAGE : LESS THAN 2 MILLIAMPS CURRENT LEAKAGE@1500 VOLTS AC.
2.5 INSULATION RESISTANCE : 5000 MEGOHMS MIN.
2.6 IP--CLASS : IP67 (MATED CONDITION).
2.7 MATING CYCLES DURABILITY : 500 CYCLES(MIN).
2.8 ROHS COMPLIANT.
- SUITABLE CONTACTS : 20# CONTACTS
- ALL DIMENSIONS ARE FOR REFERENCE USE ONLY.
- CONTACT SIZE AND REAR SEAL WIRE RANGE :

CONTACT SIZE	MIN. INSUL O.D.	MAX. INSUL O.D.
20#	Ø1.4mm	Ø2.1mm



PANEL CUT OUT REFERENCE

QUANTITY	SEE PART NUMBER CHART	PART NUMBER	DESCRIPTION	ITEM
MATERIALS LIST				
UNLESS OTHERWISE SPECIFIED		DATE		
DRAWN: [Signature]		Jan-7-2020		
CHECKED: [Signature]		Jan-7-2020		
ENGINEER: [Signature]		Jan-7-2020		
APPROVAL: [Signature]		Jan-7-2020		
CUSTOMER:		Site Systems - www.amphenol-sine.com 44724 Morley Drive Clinton Township, MI 48036		
MATERIAL SPECIFICATIONS:		ECO-MATE, RECEPTACLE, 6POS, SIZE 10 SOCKET, END CAP.		
PROCESS SPECIFICATIONS:		SIZE TYPE: B C- RT0W0106S*HEC* B3		
NEXT ASSY:		SCALE: NONE SHEET 1 OF 1		