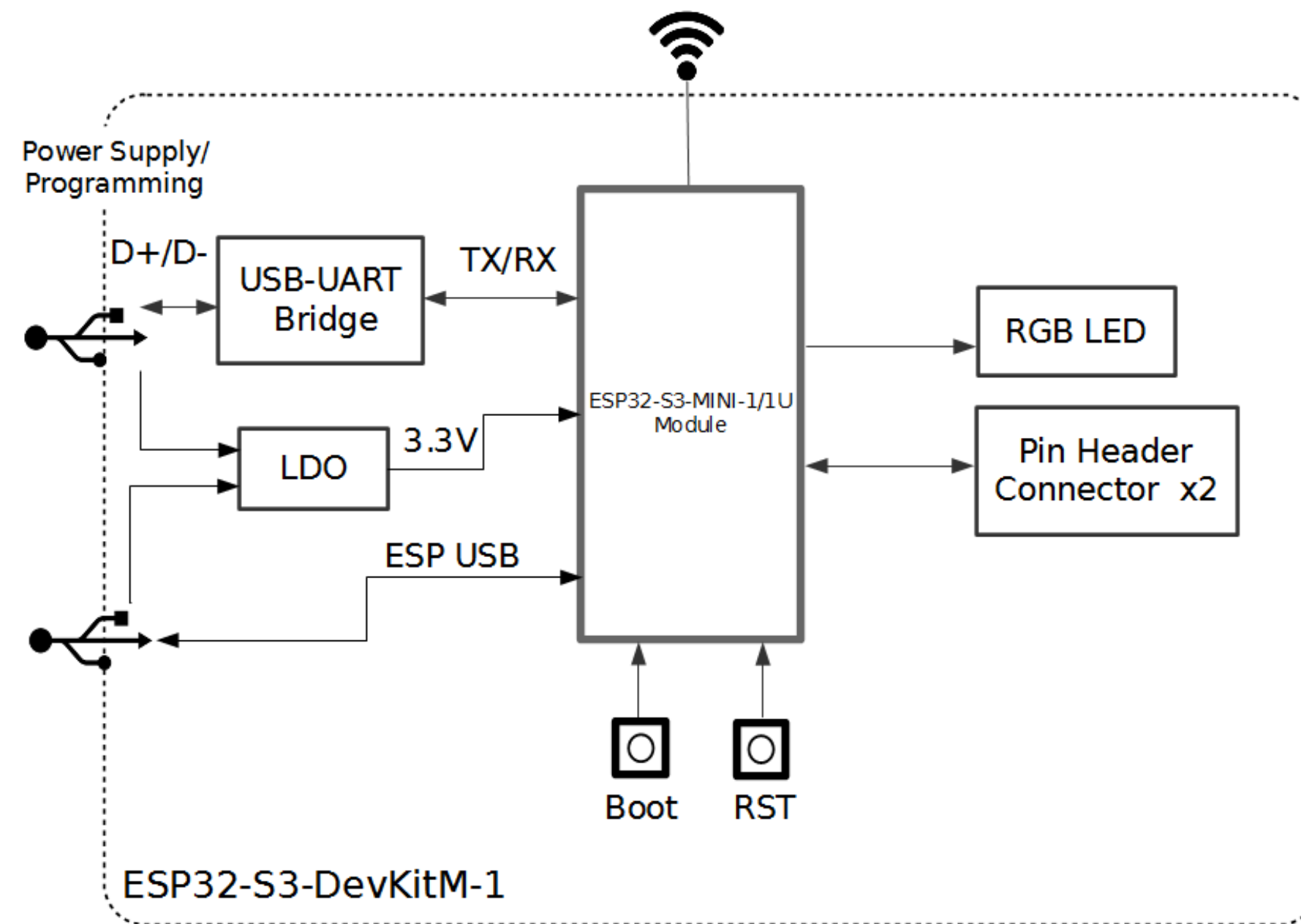
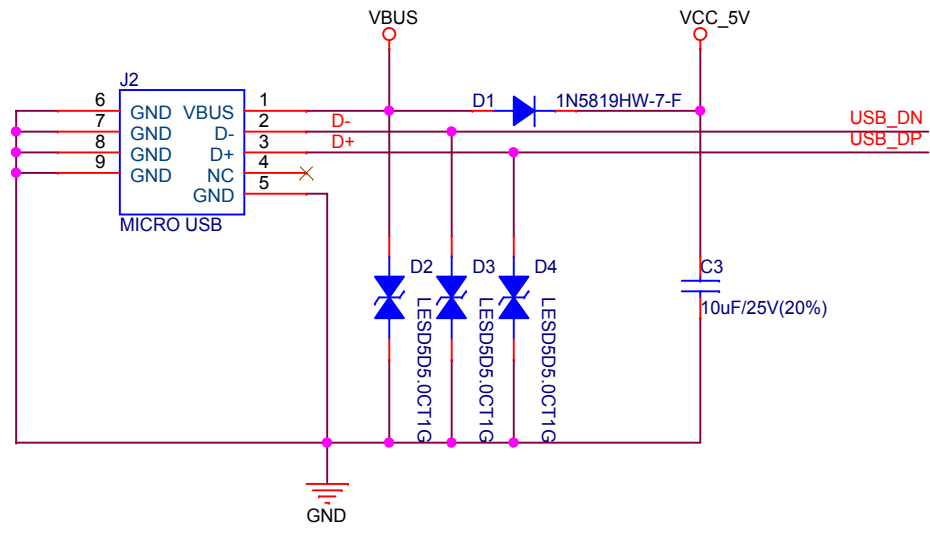


System Block:



USB to UART:



ESP USB:

